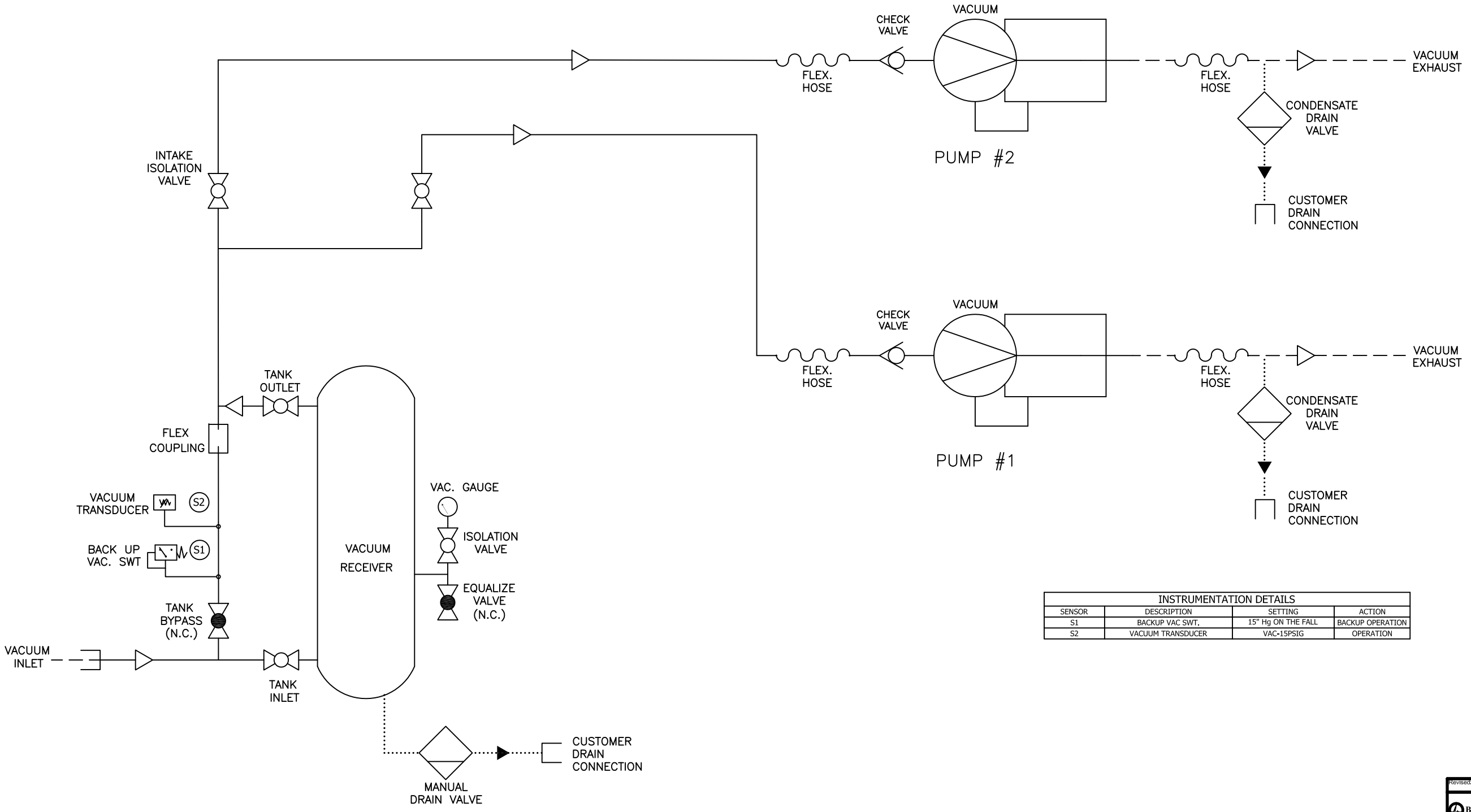
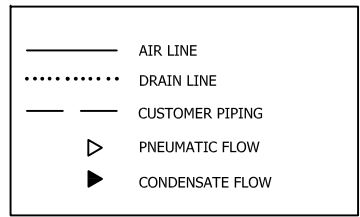


This drawing and the information contained therein remain the property of BeaconMedas and may not be used for other than the purpose for which it is loaned without the expressed written permission from BeaconMedas Engineering.



INSTRUMENTATION DETAILS			
SENSOR	DESCRIPTION	SETTING	ACTION
S1	BACKUP VAC. SWT.	15" Hg ON THE FALL	BACKUP OPERATION
S2	VACUUM TRANSDUCER	VAC-15PSIG	OPERATION

Revised:	Date:	Drawn:	Date:
			01/09/2015
		Scale: NTS 	
Description: PNEUMATIC DIAGRAM DX 1.5-5HP DRY VTM V 30-80G TAE		Part Number: 4107 8554 37 DWT: HOP150333 1 of 1	