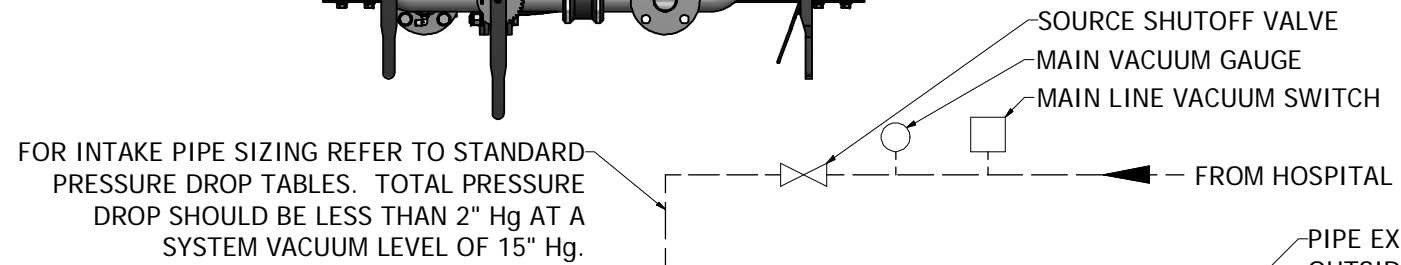
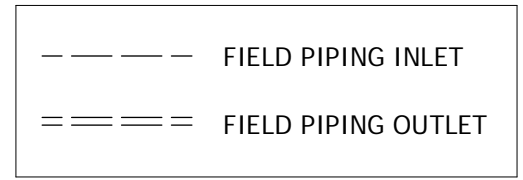
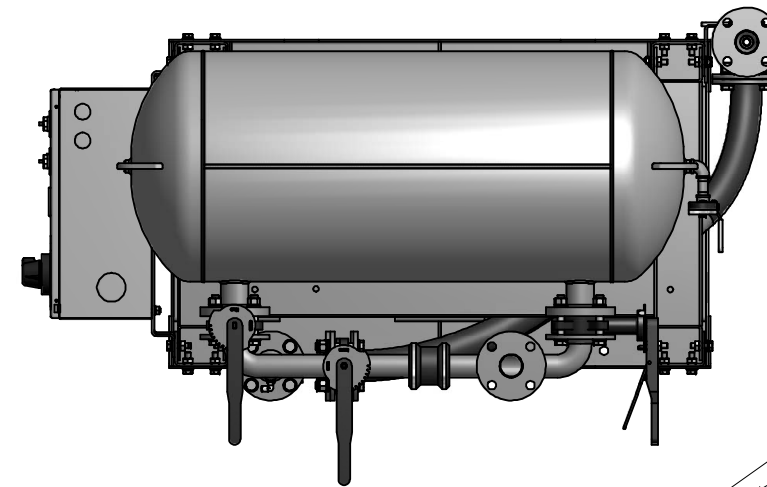


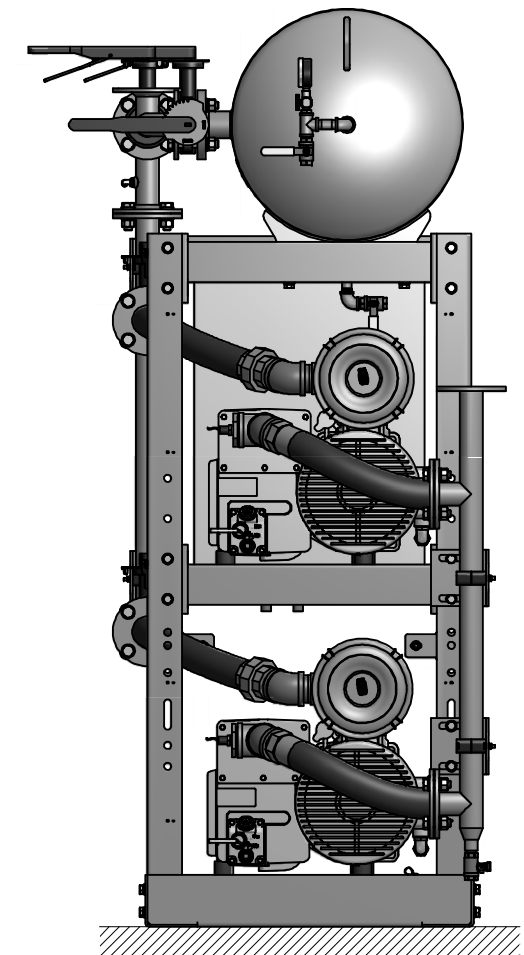
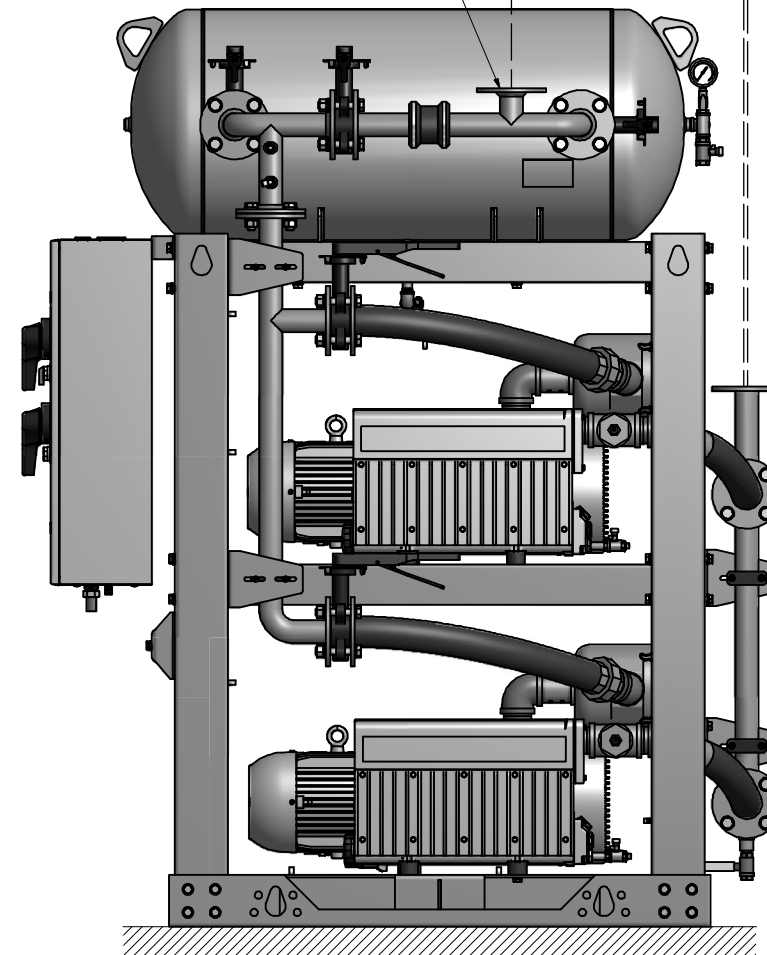
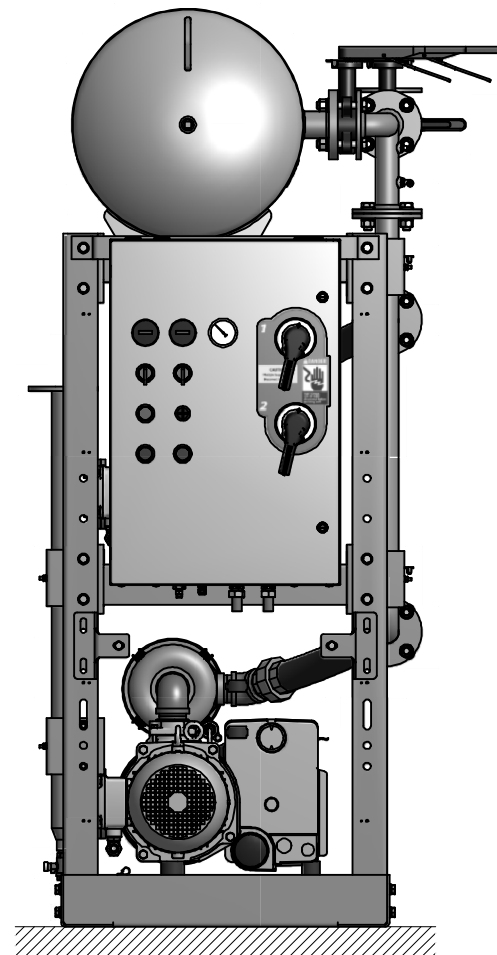
Notes:

1. ALL INTERCONNECTING PIPE AND FITTINGS SHALL BE INSTALLED BY THE CONTRACTOR.
2. ALL PIPING SHALL BE INSTALLED IN ACCORDANCE WITH NFPA 99, 2005 EDITION. PIPING LAYOUT IS DIAGRAMMATIC ONLY. FINAL ARRANGEMENT WILL BE SITE SPECIFIC. CONTRACTOR WILL BE RESPONSIBLE FOR FIELD VERIFICATION AND COORDINATING ACTUAL LOCATION WITH ALL OTHER TRADES.
3. CONTRACTOR SHALL VERIFY MOTOR VOLTAGE, PHASE AND AMP RATINGS BEFORE STARTING ELECTRICAL INSTALLATION; AND MAKE CERTAIN THE VOLTAGE SUPPLIED BY THE HOSPITAL IS THE SAME.
4. THE ROOM REQUIRES DEDICATED MECHANICAL VENTILATION WITH AN ALLOWABLE TEMPERATURE VARIANCE OF 40° TO 105°F. (FOR HIGHER AMBIENTS, CONSULT FACTORY)
5. ELECTRICAL POWER SHALL BE SUPPLIED FROM THE EQUIPMENT SYSTEM BRANCH OF THE ESSENTIAL ELECTRICAL SYSTEM (EMERGENCY POWER).
6. EQUIPMENT, INSTALLATION, AND TESTING OF THE MEDICAL VACUUM SYSTEM SHALL COMPLY WITH NFPA 99, 2005 EDITION, AND ALL STATE AND LOCAL CODES OR ORDINANCES.
7. WIRE LAG & HIGH TEMP. ALARM REMOTE CONTACTS IN THIS CONTROL SYSTEM TO MASTER ALARM SYSTEM AS REQUIRED BY NFPA 99.
8. ALL ACCESSORIES, PIPE AND FITTINGS, EXCEPT DISCHARGE SILENCERS, BEYOND INLET AND DISCHARGE PORTS ARE SUPPLIED AND INSTALLED BY OTHERS.
9. WHEN DETERMINING THE TOTAL PIPE LENGTH, AND ALL THE STRAIGHT LENGTHS OF PIPE TOGETHER IN ADDITION TO THE NUMBER OF ELBOWS TIMES THE EFFECTIVE PIPE LENGTH FOR THAT PIPE SIZE. (SEE EQUIVALENT PIPE LENGTH TABLE & EXAMPLE CALCULATION IN THE O&M MANUAL)



HOSPITAL CONNECTION (2" FLANGE)

PIPE EXHAUST OUTSIDE, TURN DOWN AND SCREEN PER NFPA 99



NO FOUNDATION OR INERTIA PAD IS REQUIRED (HOUSEKEEPING PAD IS OPTIONAL)

(5HP LUBE WITH 60 GALLON RECEIVER SHOWN)

EXHAUST PIPE SIZE TABLE			
UNIT SIZE	PIPE LENGTH		
DX 3HP	0-100'	101'-400'	401'-500'
	1.50" NPT	2.00" NPT	3.00" NPT
DX 5HP	0-75'	76'-500'	
	2.00" NPT	3.00" NPT	
DX 7.5HP	0-400'	401'-500'	
	3.00" NPT	4.00" NPT	

EFFECTIVE PIPE LENGTH FOR ELBOWS			
PIPE SIZE (IN)	1.50" NPT	2.00" NPT	3.00" NPT
EFF. PIPE LENGTH (FT)	4	4.9	7.9

Revised: GTM	Date: 7/31/2015	Drawn: GTM	Date: 5/17/2011
		This drawing and the information contained therein remain the property of BeaconMedes and may not be used for other than the purpose for which it is loaned without the expressed written permission from BeaconMedes Engineering.	
Description: INSTALLATION DIAGRAM BASIC LUBE VAC STM 3-7.5HP DX		Part Number: 4107 8531 30	Scale: D
DN: HOP150676	Rev: 01	Sheet 1 of 1	DO NOT SCALE THIS DOCUMENT