

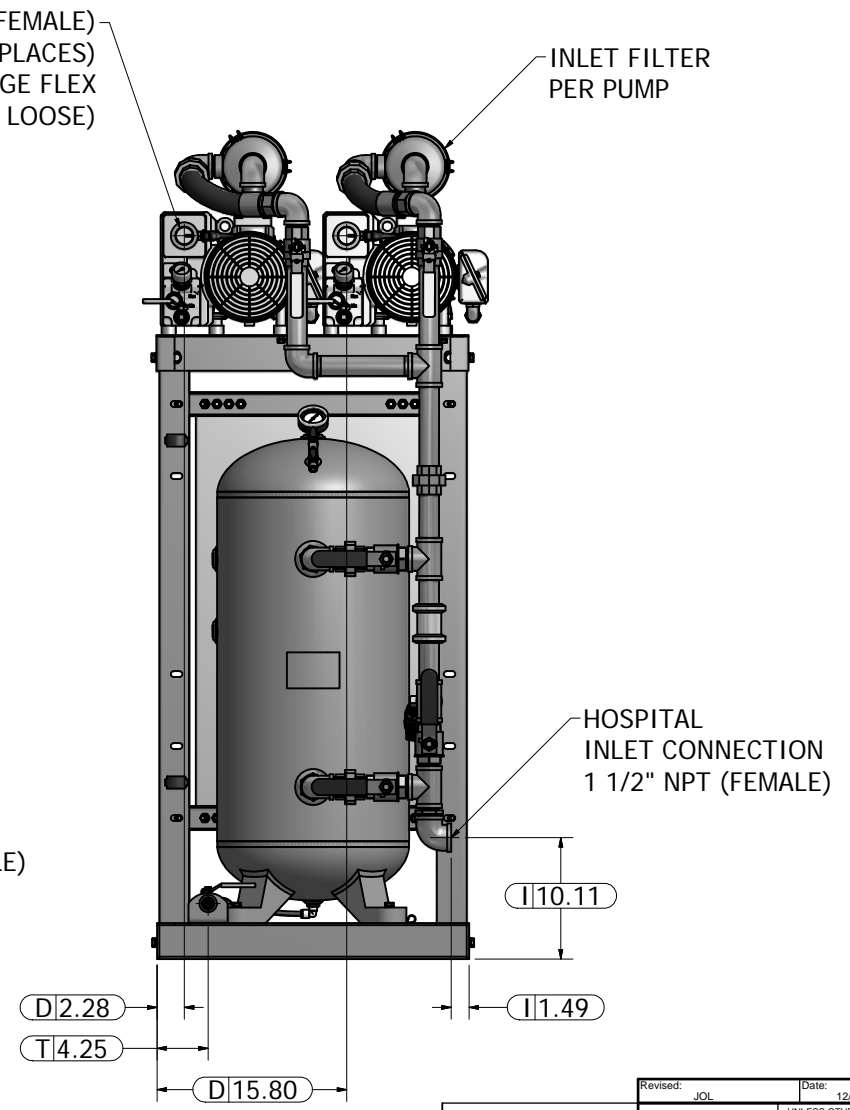
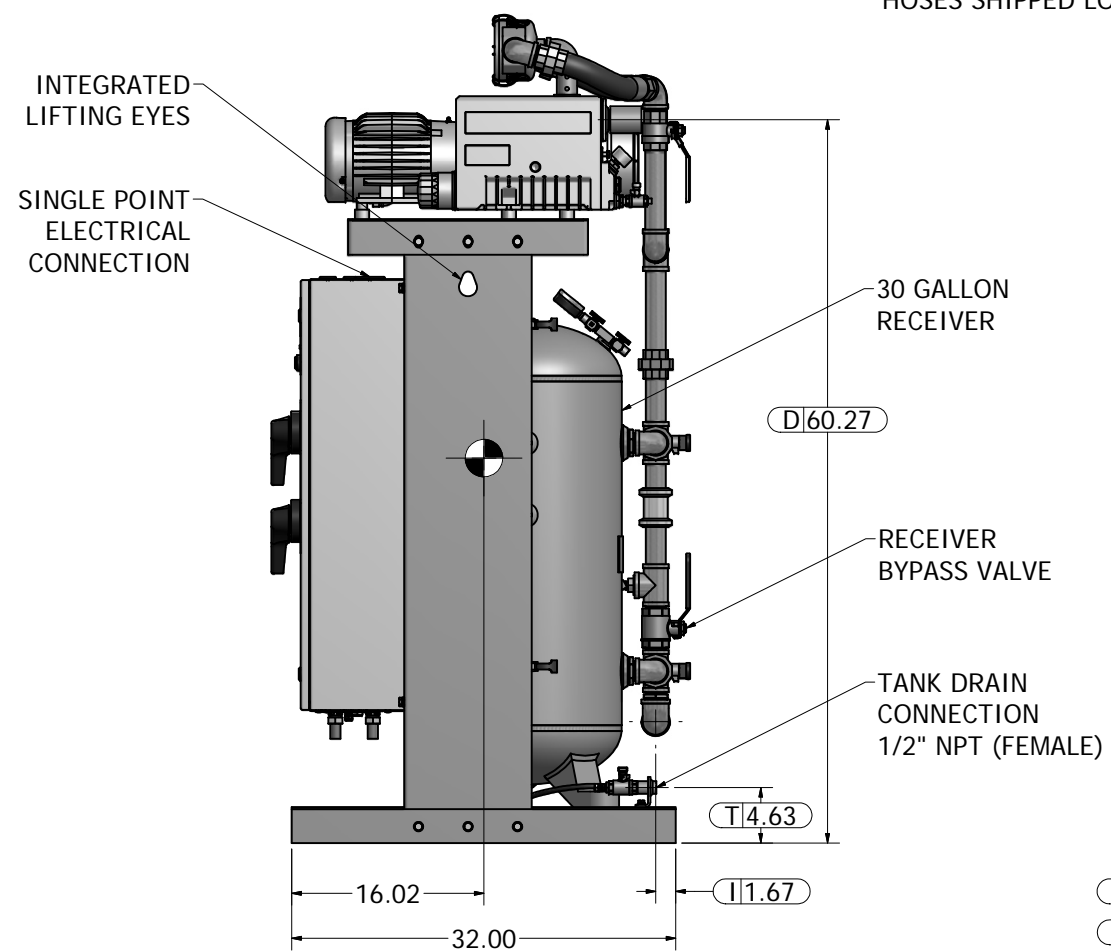
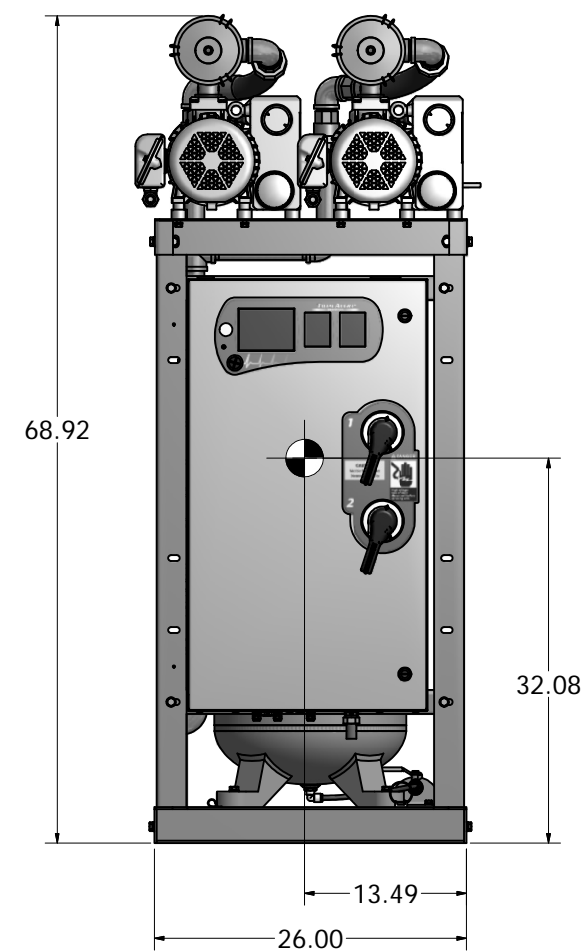
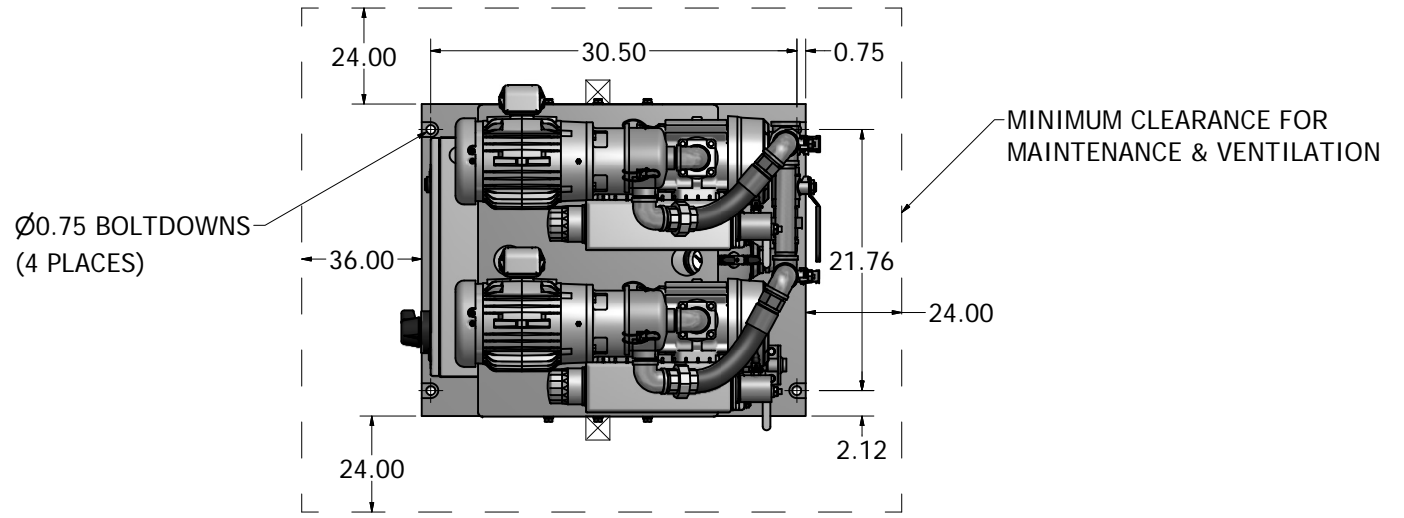


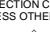
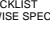
This drawing and the information contained thereon remain the property of BeaconMedes and may not be used for other than the purpose for which it is loaned without the expressed written permission from BeaconMedes Engineering.

Notes:

1. SYSTEM WEIGHT: 653 LB
2.  INDICATES LIFTING POINTS
3.  DENOTES CENTER OF GRAVITY

SYSTEM CONNECTIONS	
ID	DESCRIPTION
I	INLET LOCATION
D	DISCHARGE LOCATION
T	TANK DRAIN



Revised: JOL	Date: 12/11/15	Drawn: JOL	Date: 07/13/15
INSPECTION CHECKLIST UNLESS OTHERWISE SPECIFIED:   ALL ITEMS MARKED BY ONE OF THE ABOVE SYMBOLS ARE TO BE INSPECTED		BEACONMEDES UNLESS OTHERWISE SPECIFIED ALL DIMENSIONS ARE IN INCHES AND TOLERANCES ARE: XX ± .02 XXX ± .005 ANGLES ± .5°	Scale: 1/8 Part Number: 4107 8553 38 Description: GENERAL ASSEMBLY DX 2HP LUBE VTM V 30G TAE DN: HOP151415 Rev: 01 Sheet 1 of 1 DO NOT SCALE THIS DOCUMENT