
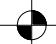
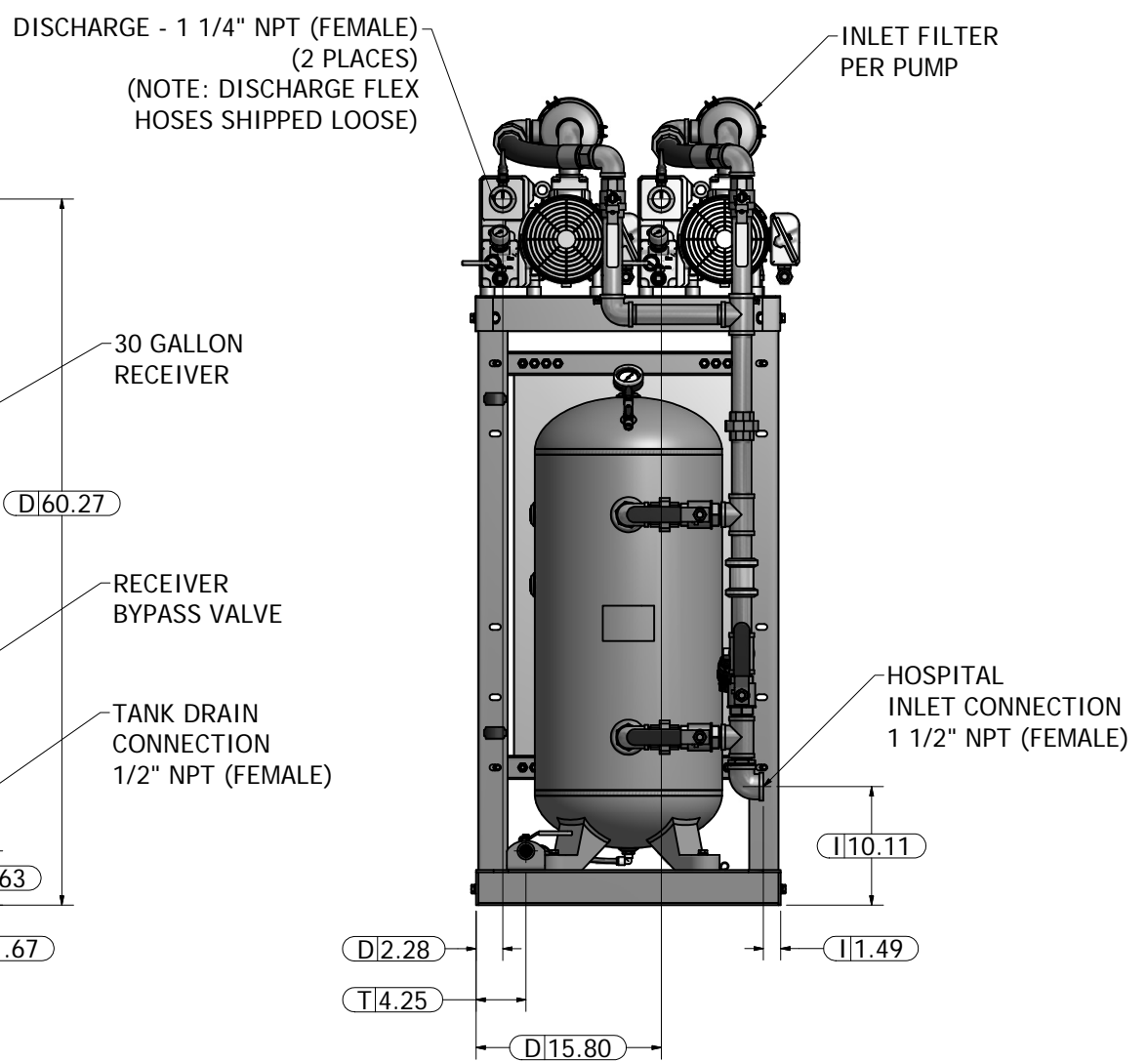
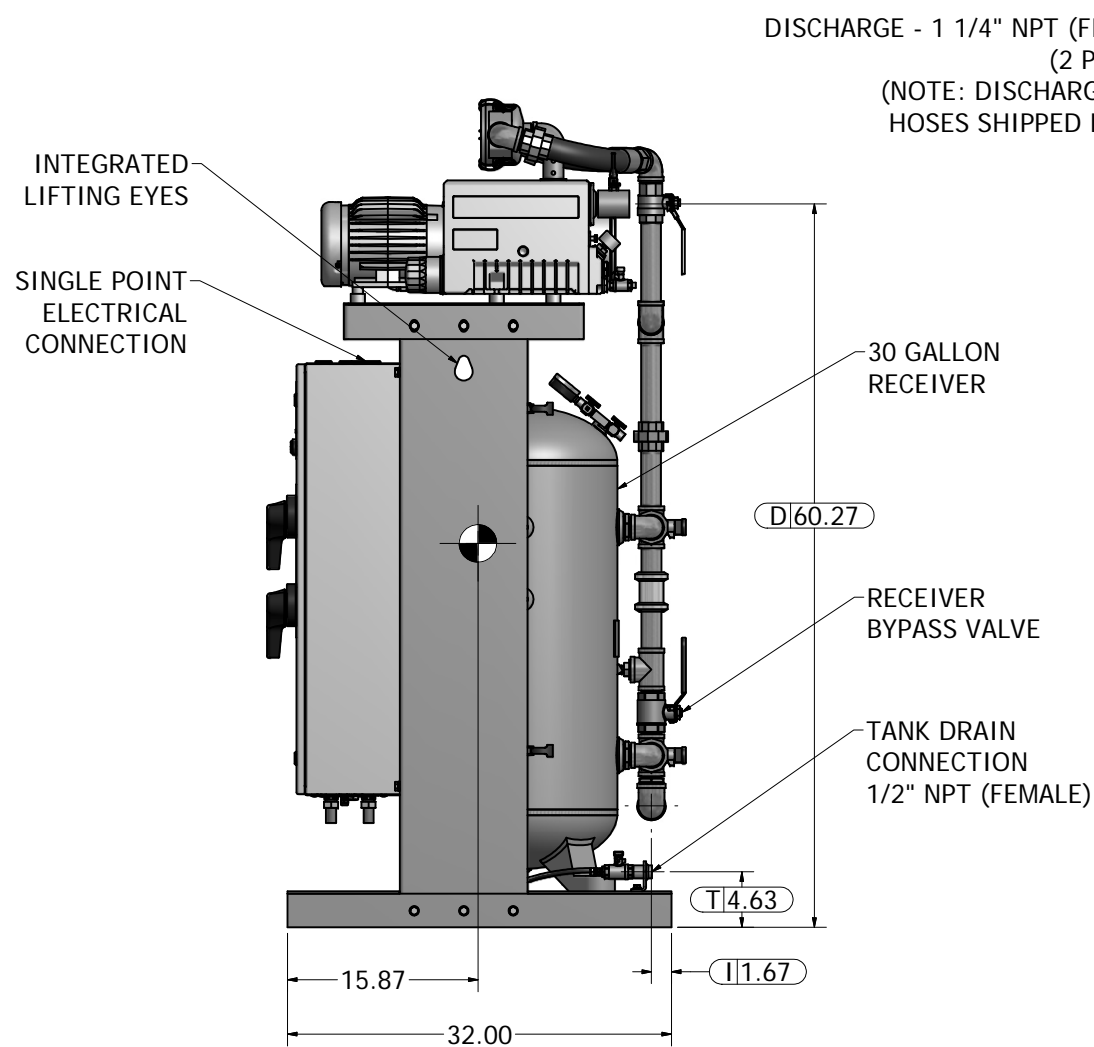
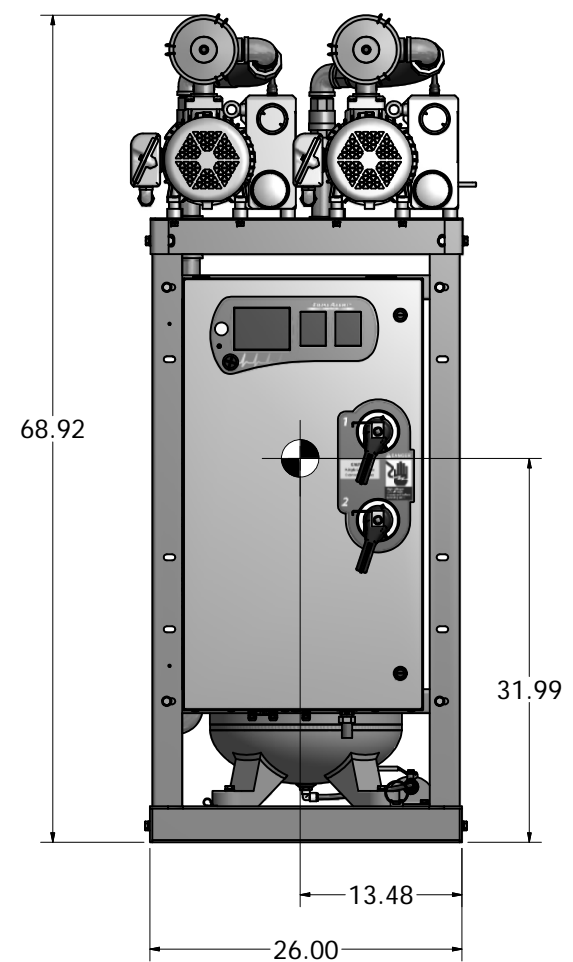
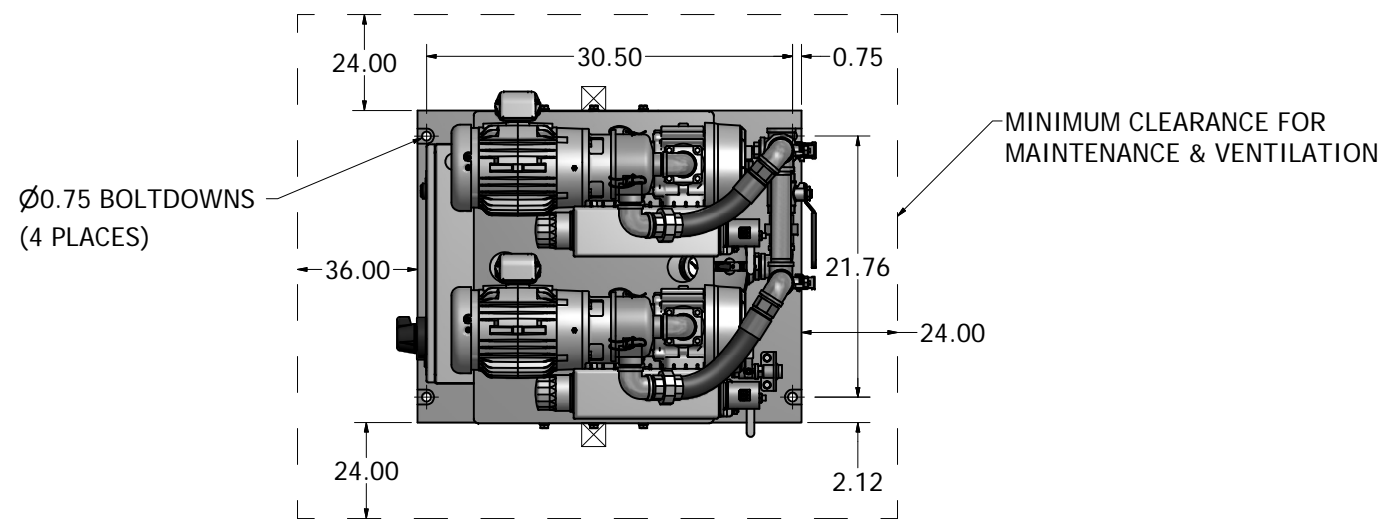


This drawing and the information contained thereon remain the property of BeaconMedes and may not be used for other than the purpose for which it is loaned without the expressed written permission from BeaconMedes Engineering.

Notes:

1. SYSTEM WEIGHT: 625 LB
2.  INDICATES LIFTING POINTS
3.  DENOTES CENTER OF GRAVITY

SYSTEM CONNECTIONS	
ID	DESCRIPTION
I	INLET LOCATION
D	DISCHARGE LOCATION
T	TANK DRAIN



Revised: JOL	Date: 12/11/15	Drawn: JOL	Date: 07/13/15
INSPECTION CHECKLIST UNLESS OTHERWISE SPECIFIED:		UNLESS OTHERWISE SPECIFIED ALL DIMENSIONS ARE IN INCHES AND TOLERANCES ARE: XX ± .02 XXX ± .005	
BEACONMEDES		Scale: 1/8	
Description: GENERAL ASSEMBLY DX 1.5HP LUBE VTM V 30G TAE		Part Number: 4107 8553 36	
DN: HOP151415		Rev: 01	
Sheet 1 of 1		DO NOT SCALE THIS DOCUMENT	