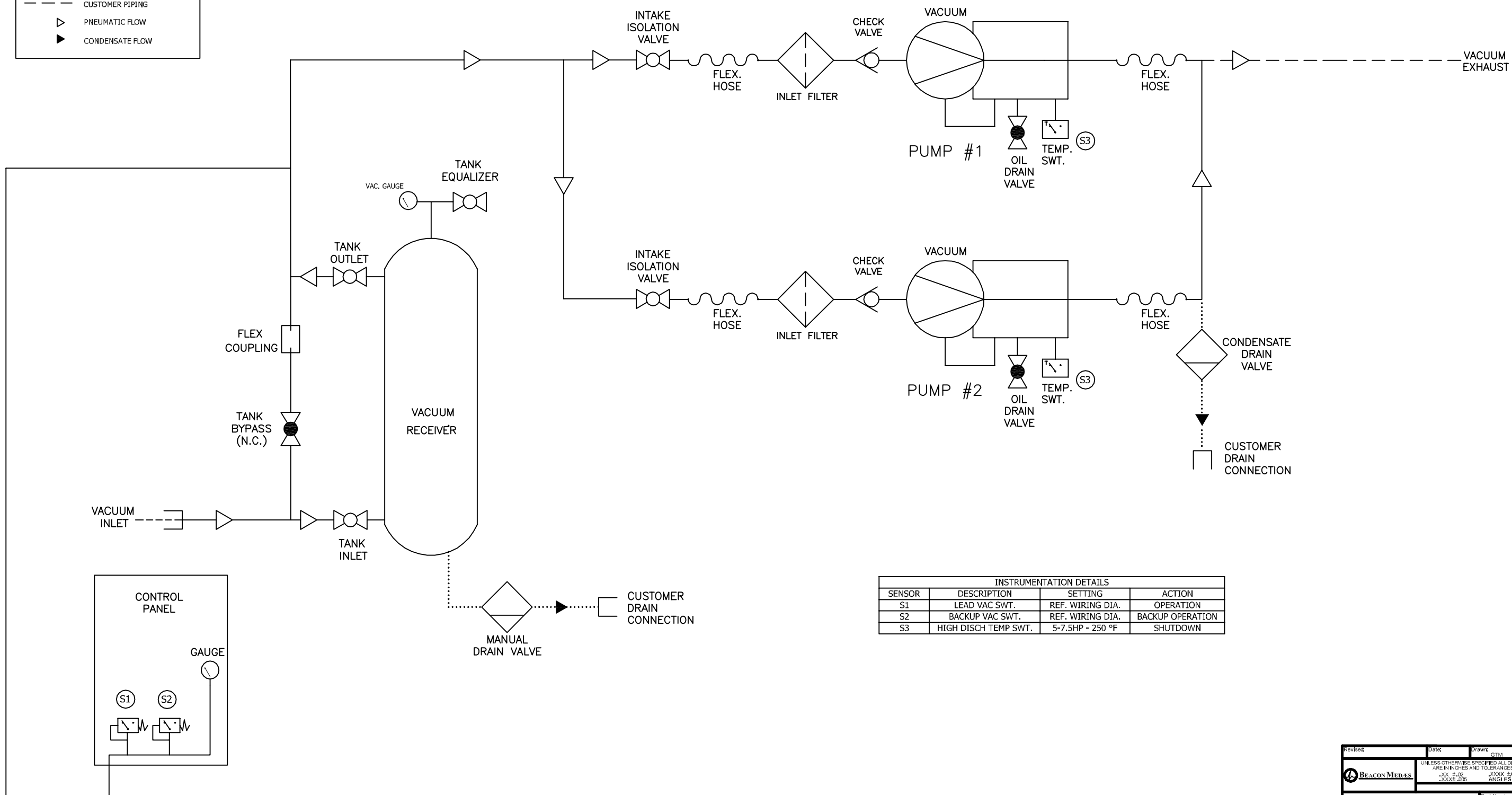
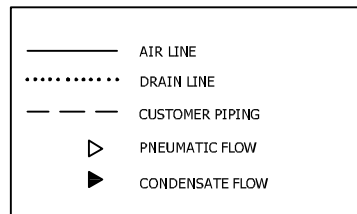


This drawing and the information contained thereon remain the property of Beacon Medas and may not be used for other than the purpose for which it is loaned without the expressed written permission from Beacon Medas Engineering.



INSTRUMENTATION DETAILS			
SENSOR	DESCRIPTION	SETTING	ACTION
S1	LEAD VAC SWT.	REF. WIRING DIA.	OPERATION
S2	BACKUP VAC SWT.	REF. WIRING DIA.	BACKUP OPERATION
S3	HIGH DISCH TEMP SWT.	5-7.5HP - 250 °F	SHUTDOWN

Revised	Date	Drawn	Date
		GTM	05/18/1111
		UNLESS OTHERWISE SPECIFIED ALL DIMENSIONS ARE IN INCHES AND TOLERANCES ARE: .XX ±.02 .XXX ±.005 .XXXX ±.01	
Description: PNEUMATIC DIAGRAM BASIC 5 - 7.5HP DX LUBE VAC STM		Part Number: 4107 8531 35 DRE HOP 110559 Sheet 1 of 1	
Scale: NTS		Rev: 00 DO NOT SCALE THIS DOCUMENT	