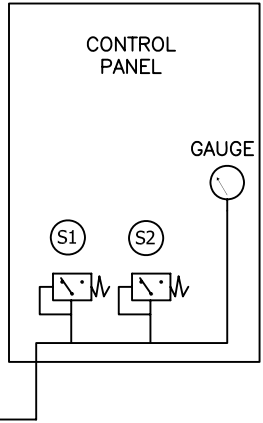
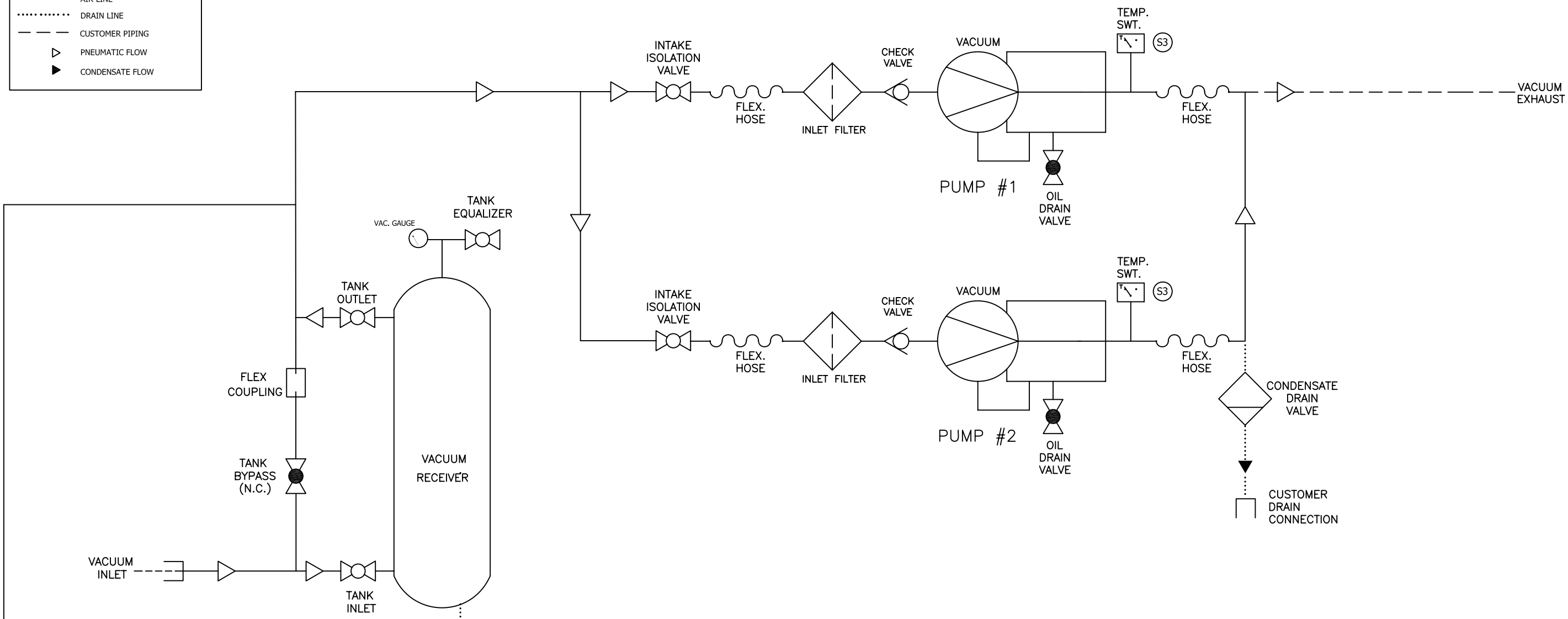
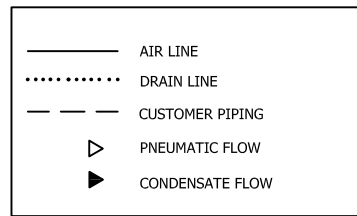


This drawing and the information contained thereon remain the property of BeaconMedas and may not be used for other than the purpose for which it is loaned without the expressed written permission from BeaconMedas Engineering.



INSTRUMENTATION DETAILS			
SENSOR	DESCRIPTION	SETTING	ACTION
S1	LEAD VAC SWT.	REF. WIRING DIA.	OPERATION
S2	BACKUP VAC SWT.	REF. WIRING DIA.	BACKUP OPERATION
S3	HIGH DISCH TEMP SWT.	3HP - 250 °F	SHUTDOWN

Revised:	Date:	Drawn:	Date:
		GTM	05/18/11
		UNLESS OTHERWISE SPECIFIED ALL DIMENSIONS ARE IN INCHES AND TOLERANCES ARE: .XX ±.02 .XXX ±.005 ANGLES ±.75	
Description:		Part Number:	
PNEUMATIC DIAGRAM BASIC 3HP DX LUBE VAC STACK MOUNT		4107 8531 31	
DN:		REV:	
HOP 110559		00	
Sheet 1 of 1		DO NOT SCALE THIS DOCUMENT	