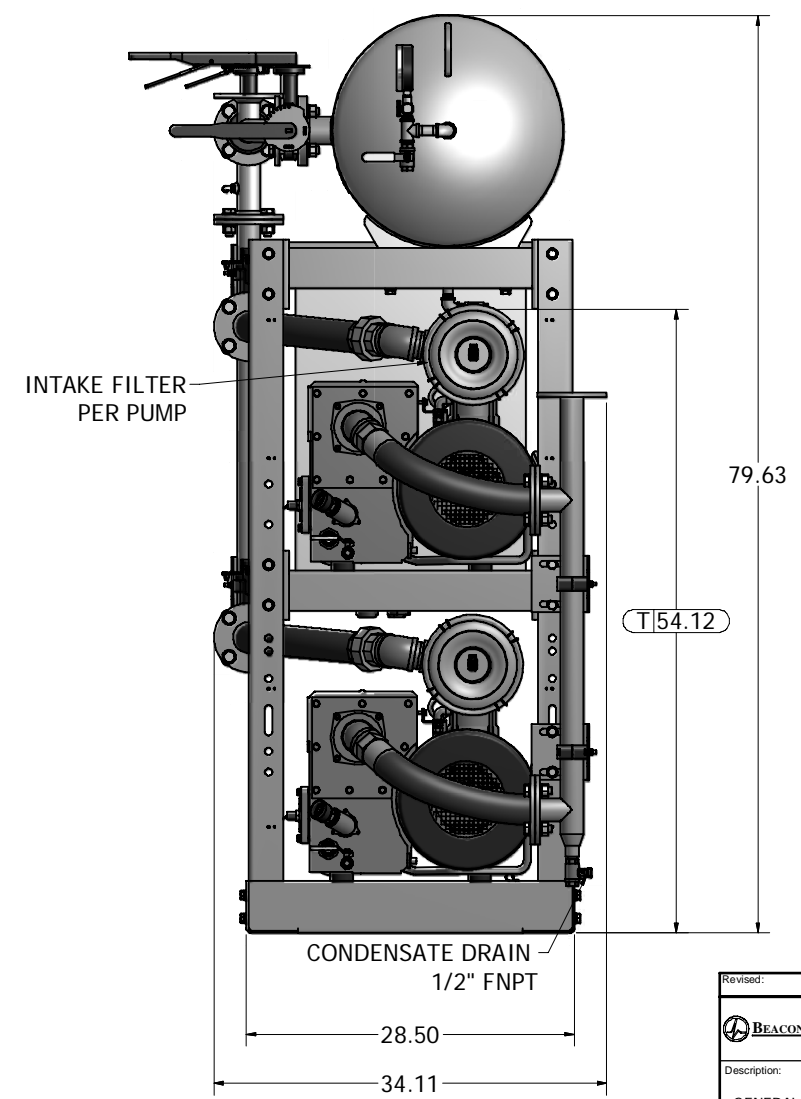
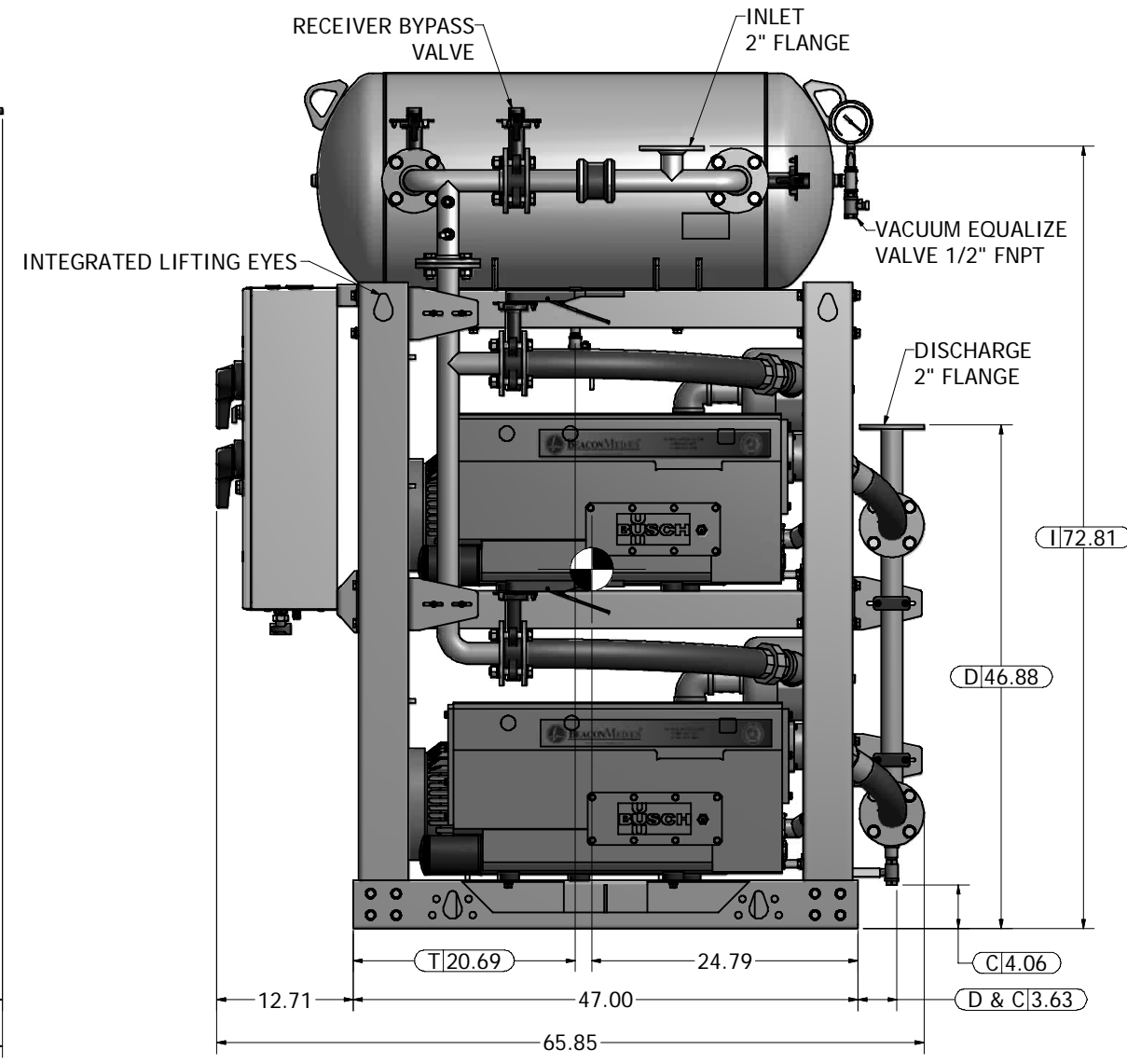
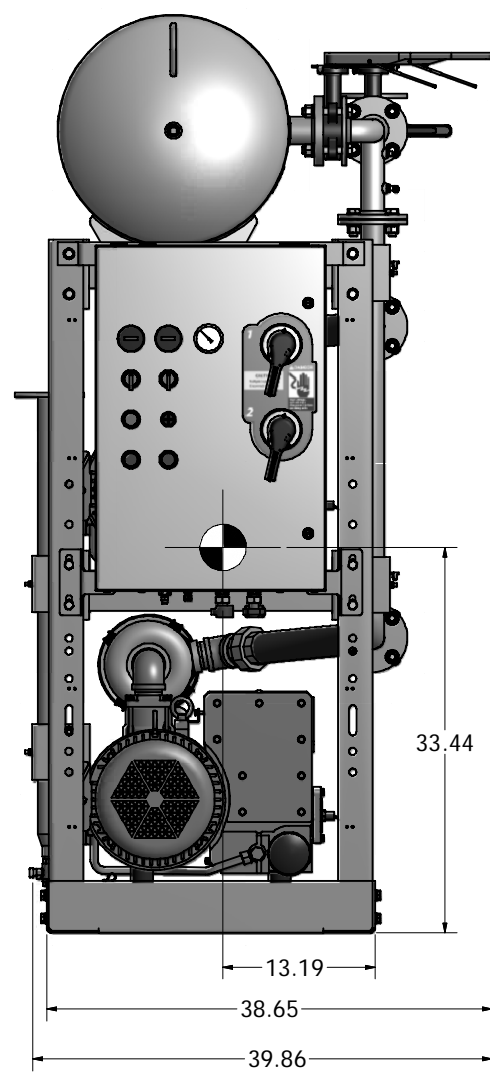
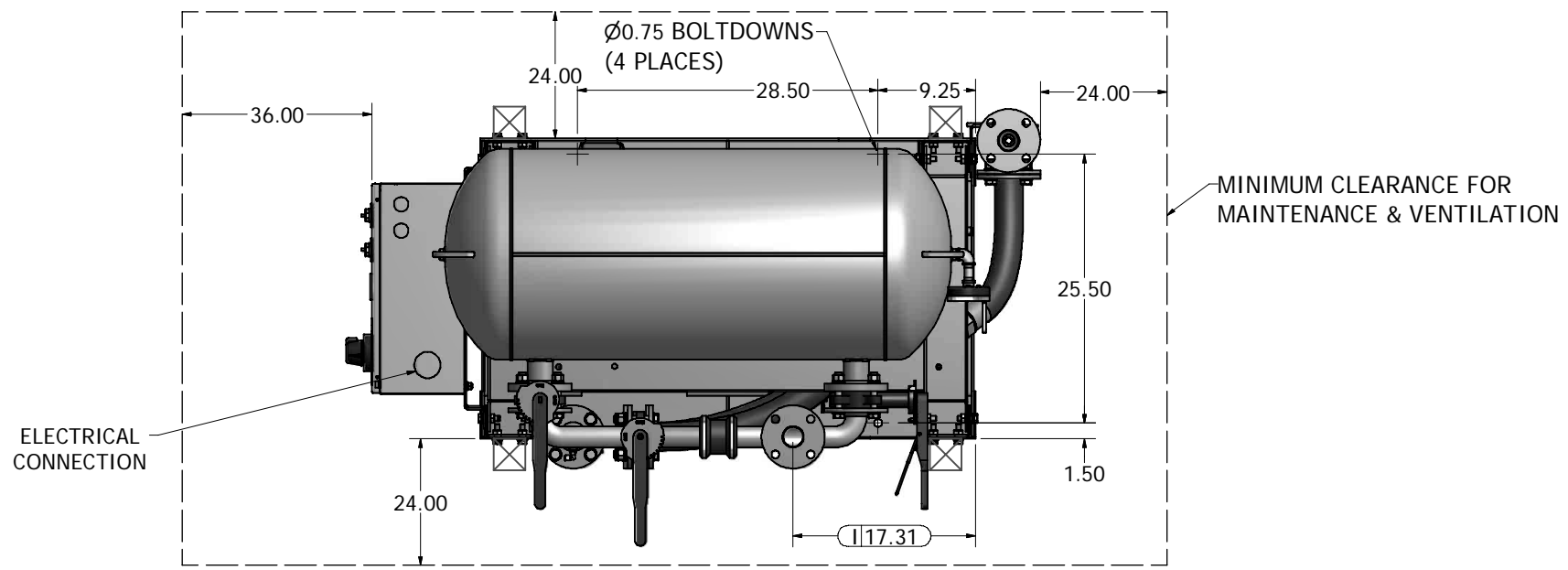


- Notes:
1. SYSTEM WEIGHT: 1,738 LBS.
  2. ☒ INDICATES LIFTING POINT.
  3. ● DENOTES CENTER OF GRAVITY.

SYSTEM CONNECTIONS	
ID	DESCRIPTION
I	INLET LOCATION
D	DISCHARGE LOCATION
C	CONDENSATE DRAIN LOCATION
T	TANK DRAIN LOCATION



Revised:	Date:	Drawn: GTM	Date: 5/13/2011
		This drawing and the information contained therein remain the property of BeaconMedes and may not be used for other than the purpose for which it is loaned without the expressed written permission from BeaconMedes Engineering.	
Description:		Part Number:	Scale:
GENERAL ASSEMBLY BASIC 7.5HP DX LUBE VAC STM 60G RECEIVER		4107 8531 24	D
DN:	HOP 110599	Rev:	00
Sheet 1 of 1	DO NOT SCALE THIS DOCUMENT		