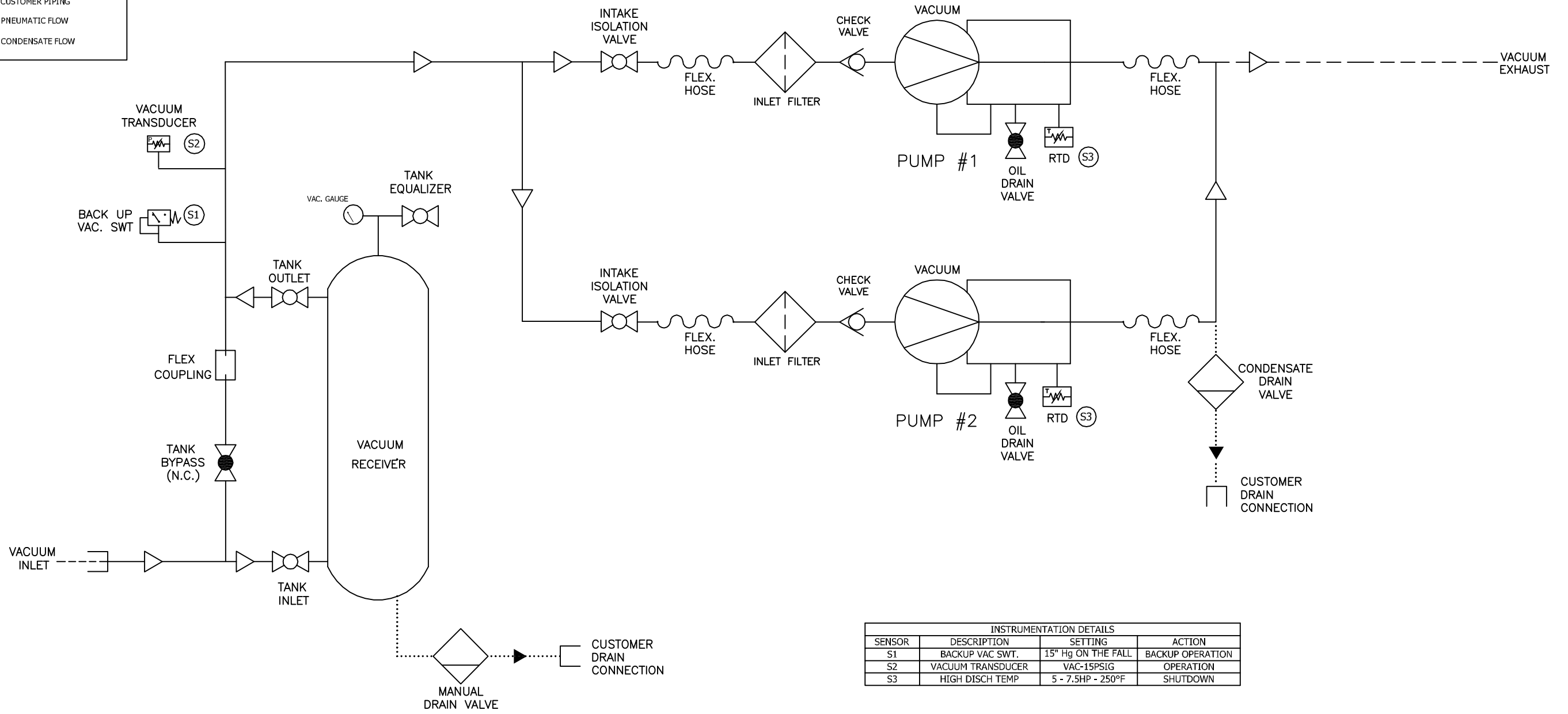
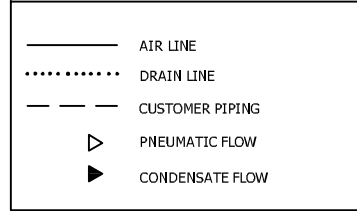


This drawing and the information contained therein remain the property of BeaconMedas and may not be used for other than the purpose for which it is loaned without the expressed written permission from BeaconMedas Engineering.



INSTRUMENTATION DETAILS			
SENSOR	DESCRIPTION	SETTING	ACTION
S1	BACKUP VAC SWT.	15" Hg ON THE FALL	BACKUP OPERATION
S2	VACUUM TRANSDUCER	VAC-15PSIG	OPERATION
S3	HIGH DISCH TEMP	5 - 7.5HP - 250°F	SHUTDOWN

Revised	Date	Drawn	Date
		JEB	10/13/10
		UNLESS OTHERWISE SPECIFIED ALL DIMENSIONS ARE IN INCHES AND TOLERANCES ARE: .XX ±.02 .XXX ±.05	
Description: PNEUMATIC DIAGRAM 5 - 7.5HP DX LUBE VAC STACK MOUNT		Part Number: 4107 8523 36	Scale: NTS
DRG HOP 100666		Rev: .00	DO NOT SCALE THIS DRAWING
Sheet 1 of 1			