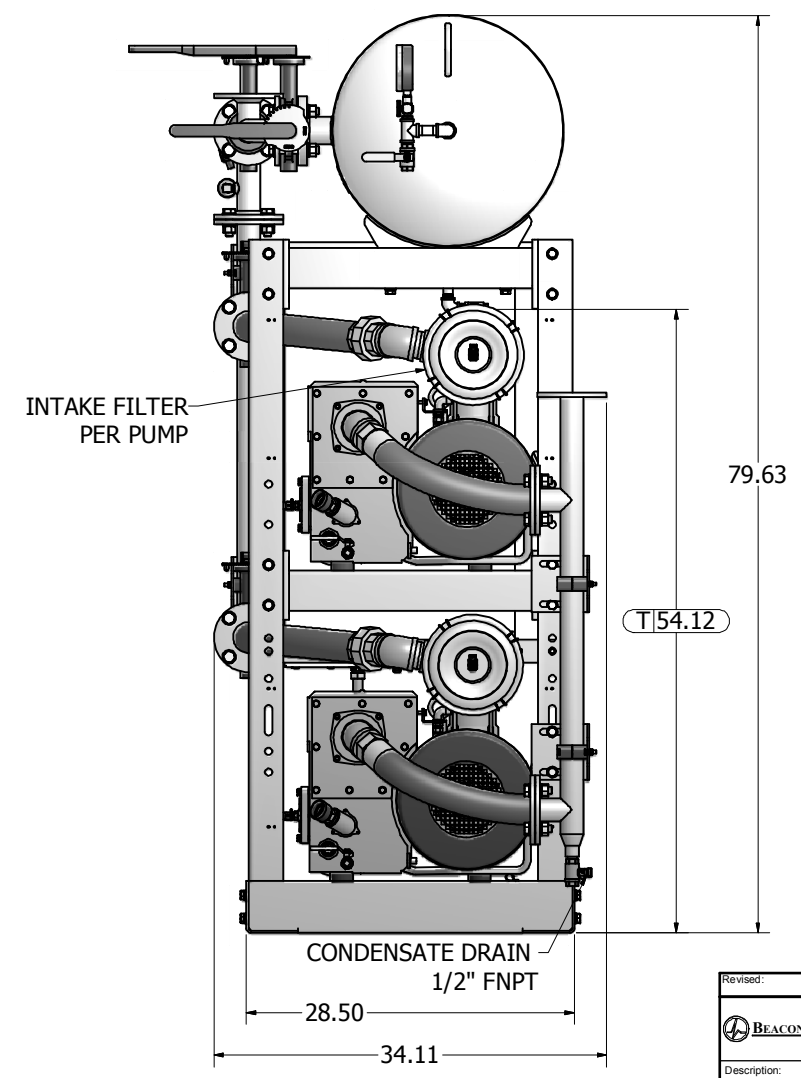
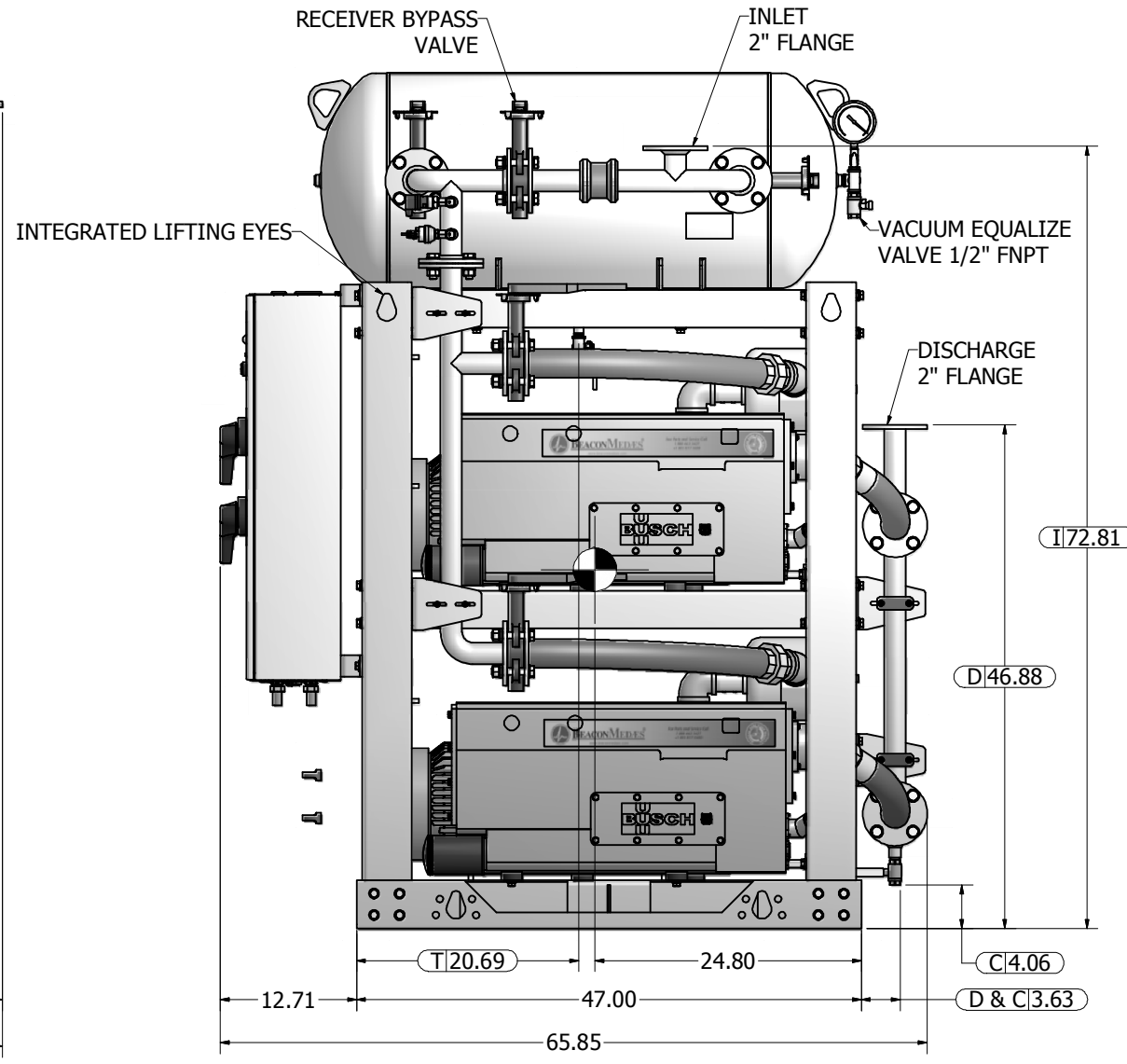
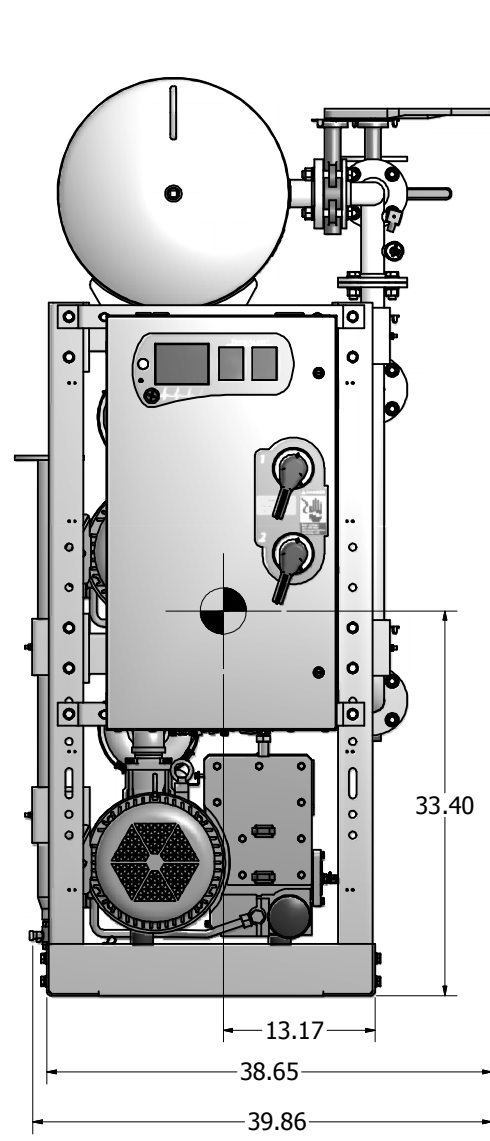
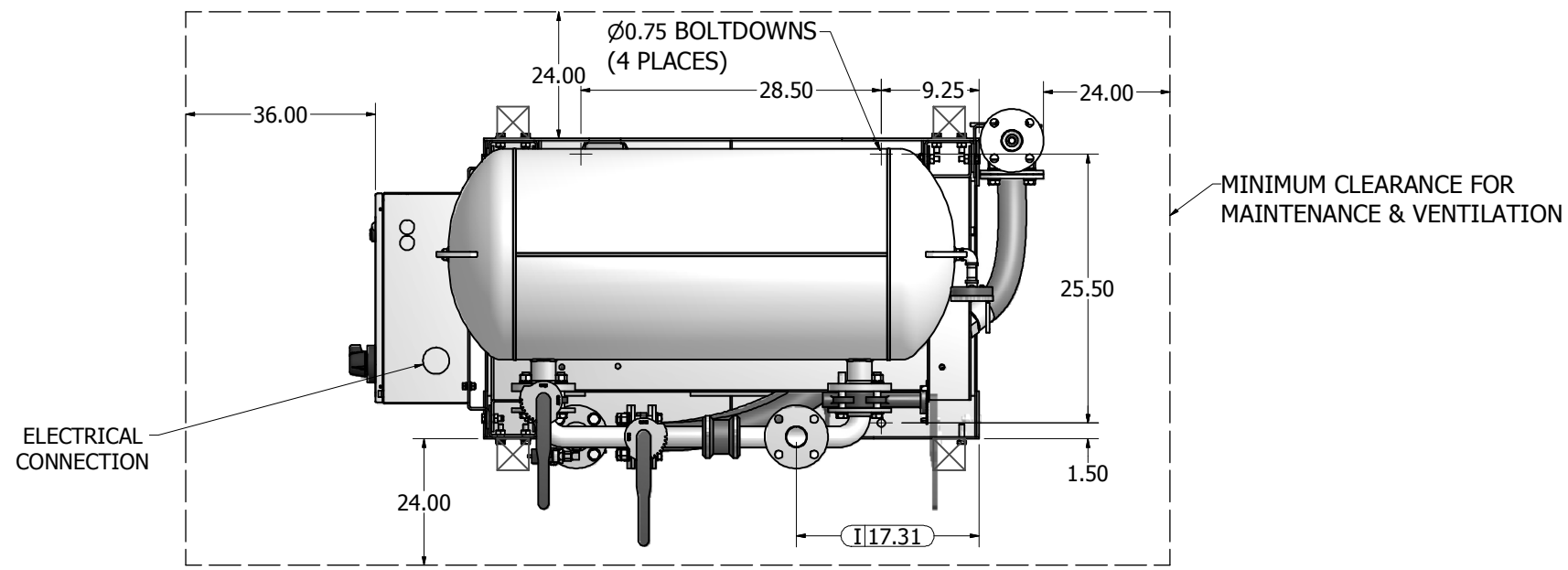


- Notes:
1. SYSTEM WEIGHT: 1,747 LBS.
  2. ☒ INDICATES LIFTING POINT.
  3. ● DENOTES CENTER OF GRAVITY.

SYSTEM CONNECTIONS	
ID	DESCRIPTION
I	INLET LOCATION
D	DISCHARGE LOCATION
C	CONDENSATE DRAIN LOCATION
T	TANK DRAIN LOCATION



Revised:	Date:	Drawn:	Date:
		JEB	10/12/2010
		This drawing and the information contained therein remain the property of BeaconMedes and may not be used for other than the purpose for which it is loaned without the expressed written permission from BeaconMedes Engineering.	
Description: <b>GENERAL ASSEMBLY 7.5HP DX LUBE VAC STM 60G RECEIVER</b>		Part Number: <b>4107 8522 04</b>	
DN: <b>HOP 100666</b>		Rev: <b>00</b>	
Sheet 1 of 1		DO NOT SCALE THIS DOCUMENT	