

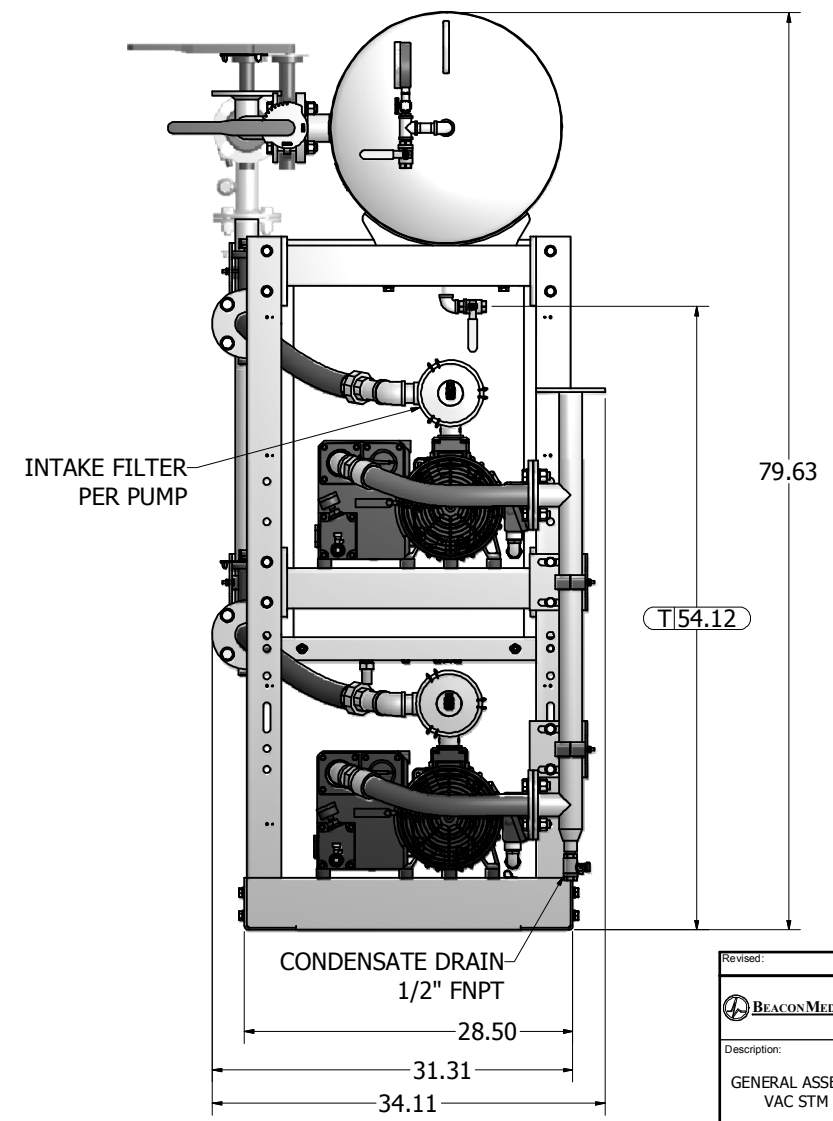
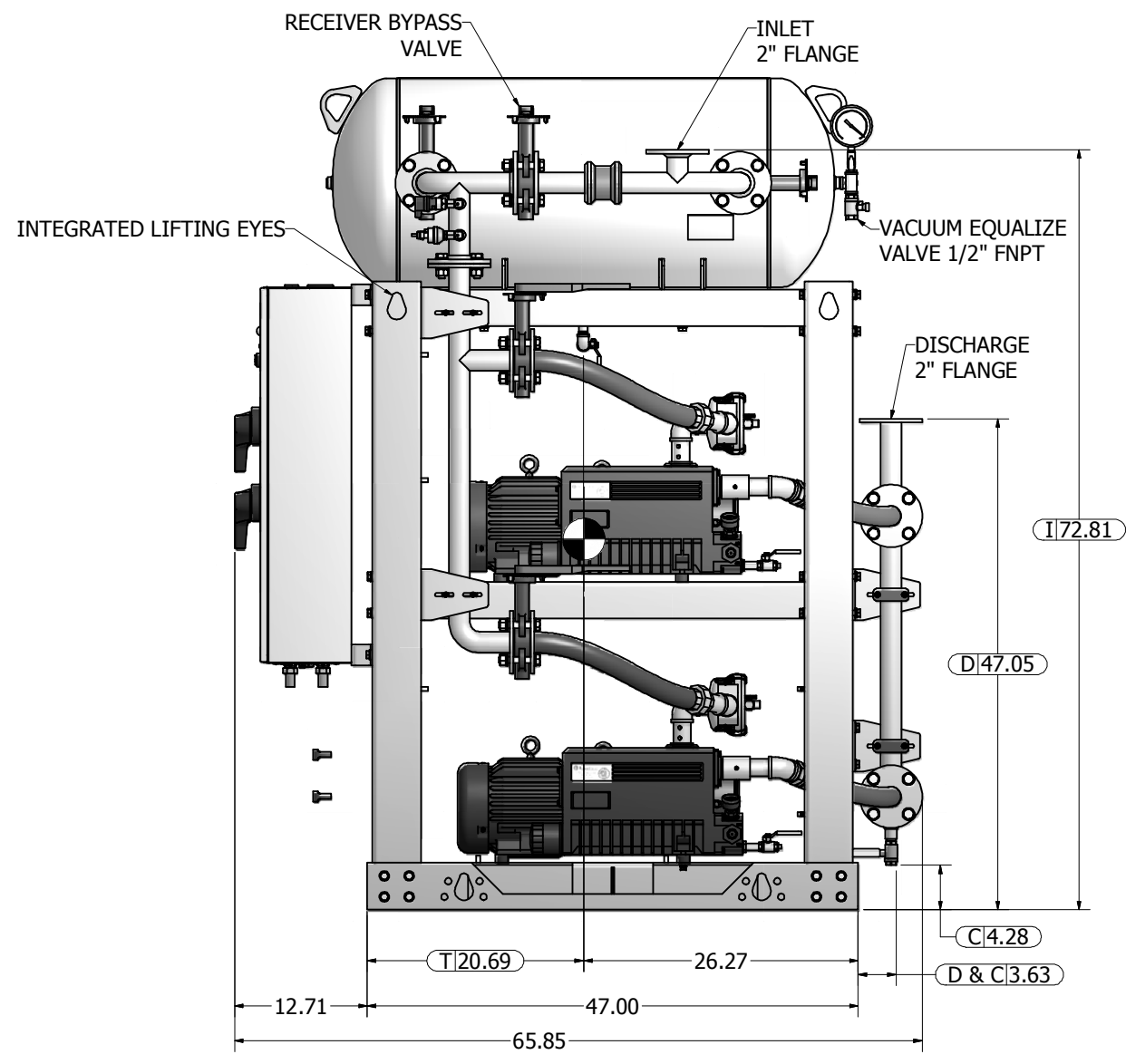
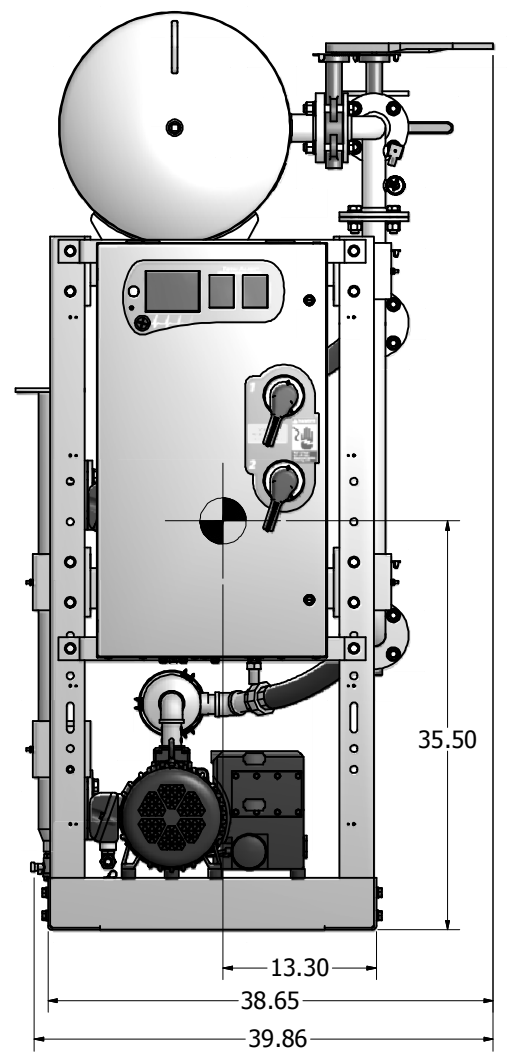
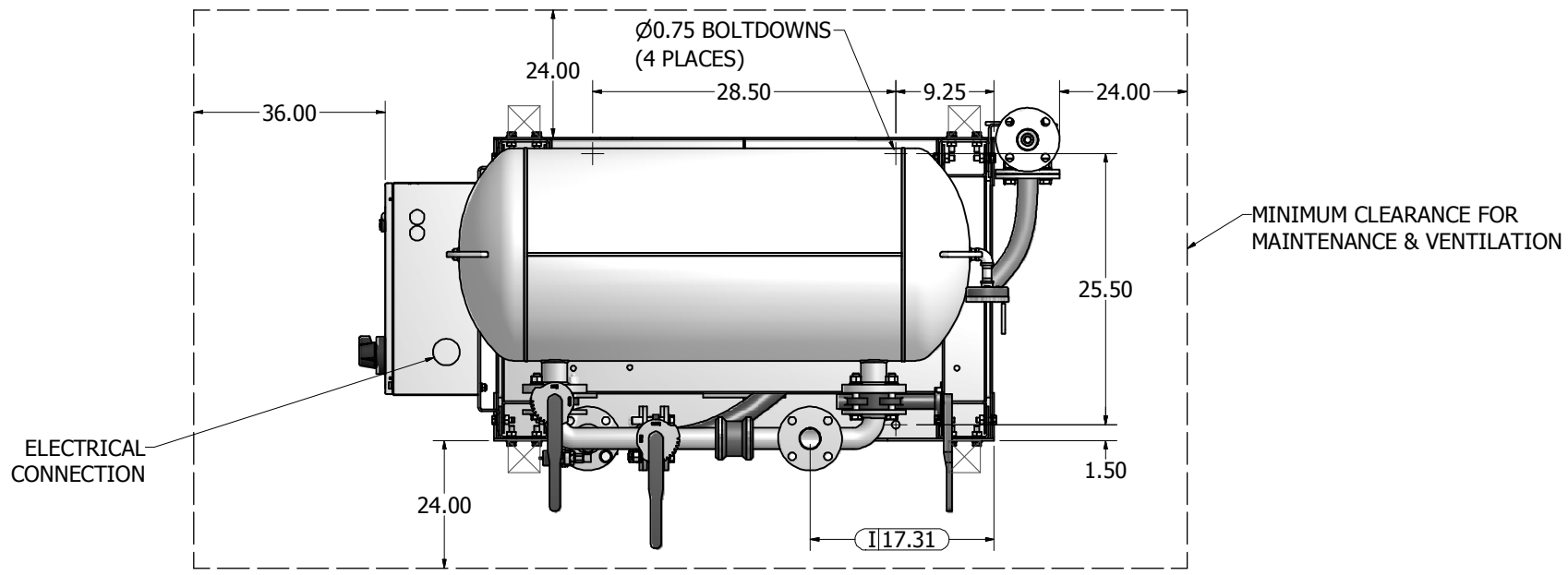



- Notes:
1. SYSTEM WEIGHT: 1,220 LBS.
 2.  INDICATED LIFTING POINT.
 3.  DENOTES CENTER OF GRAVITY.

SYSTEM CONNECTIONS	
ID	DESCRIPTION
I	INLET LOCATION
D	DISCHARGE LOCATION
C	CONDENSATE DRAIN LOCATION
T	TANK DRAIN LOCATION



Revised:	Date:	Drawn:	Date:
		JEB	10/11/2010
		This drawing and the information contained therein remain the property of BeaconMedes and may not be used for other than the purpose for which it is loaned without the expressed written permission from BeaconMedes Engineering.	
Description:		Part Number:	
GENERAL ASSEMBLY 3HP DX LUBE VAC STM 60G RECEIVER		4107 8522 02	
DN:		Rev:	
HOP 100666		00	
Sheet 1 of 1		DO NOT SCALE THIS DOCUMENT	