
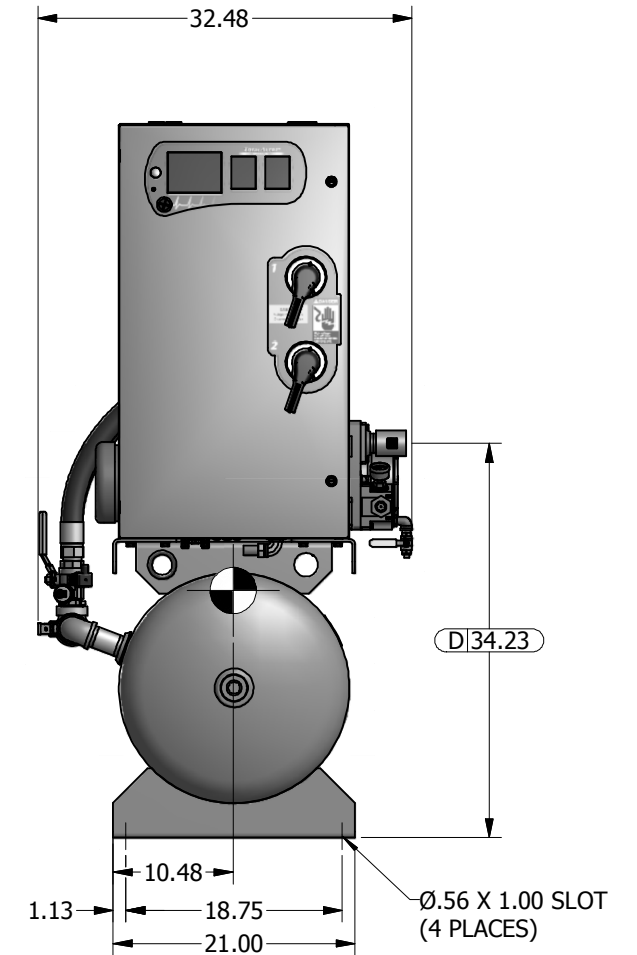
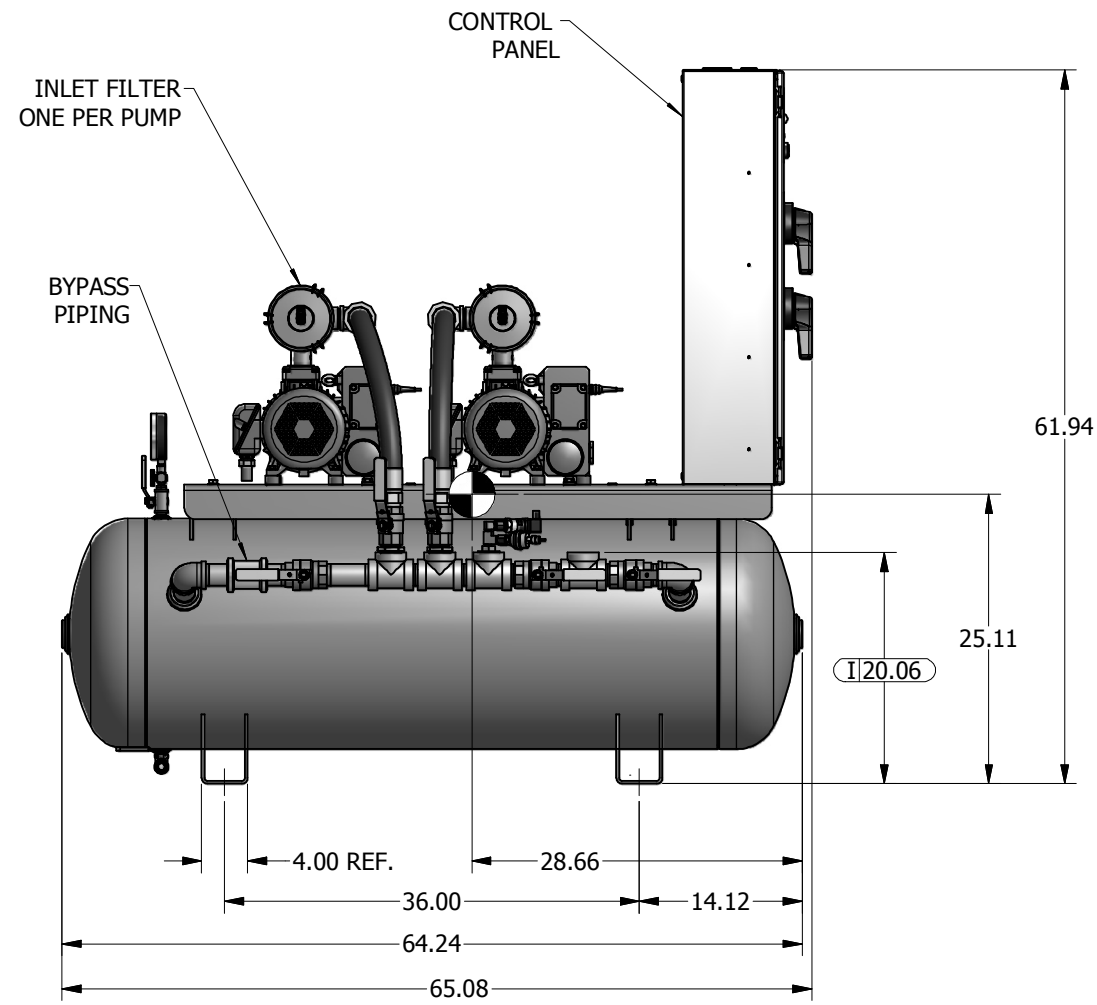
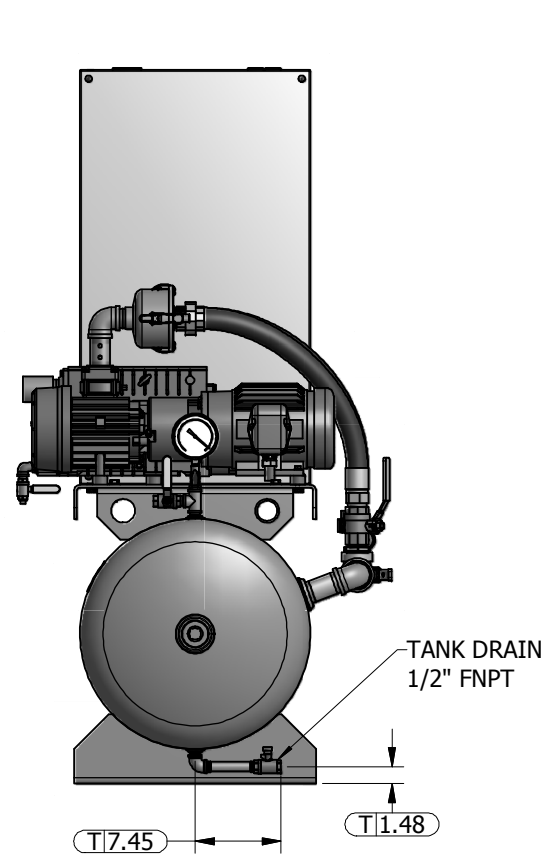
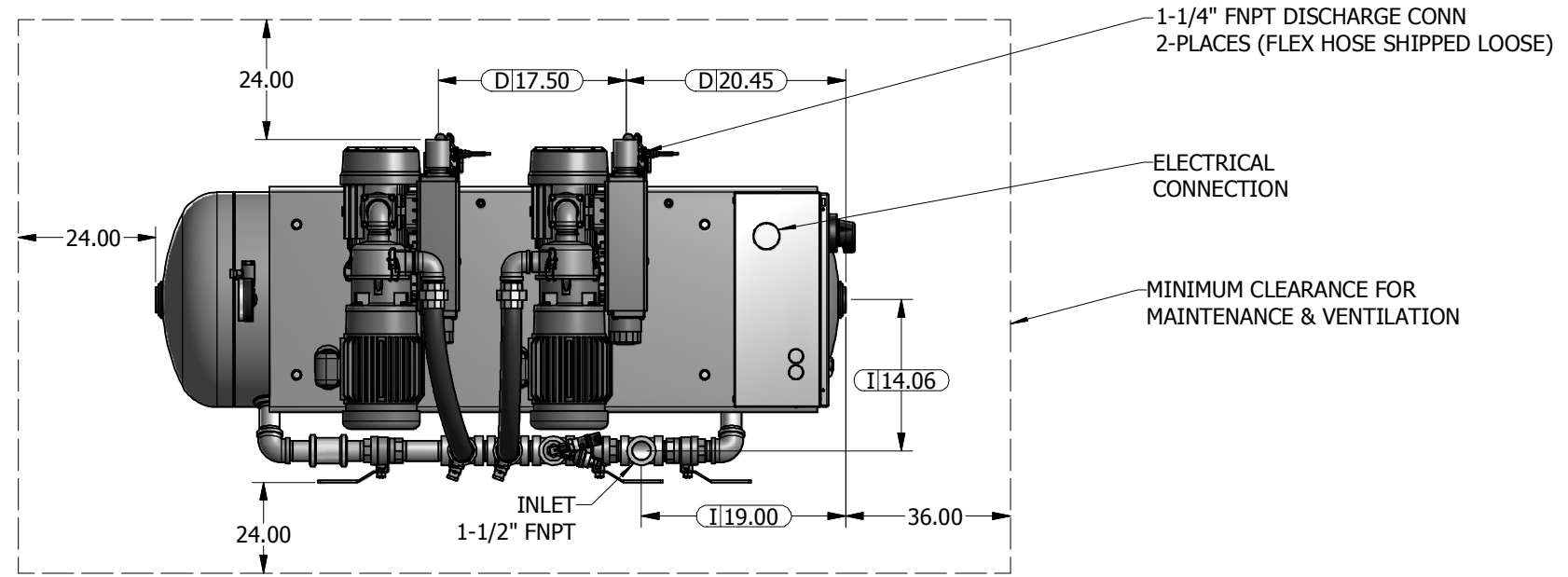



Notes:

1. SYSTEM WEIGHT: 742 LBS.
2.  DENOTES CENTER OF GRAVITY.

SYSTEM CONNECTIONS	
ID	DESCRIPTIONS
I	INLET LOCATION
D	DISCHARGE LOCATION
T	TANK DRAIN



Revised:	Date:	Drawn:	Date:
		leb	4/13/2011
		This drawing and the information contained therein remain the property of BeaconMedes and may not be used for other than the purpose for which it is loaned without the expressed written permission from BeaconMedes Engineering.	
Description: GENERAL ASSEMBLY DX 2HP LUBE VAC TANK MOUNTED 80G RECEIVER		Drawing Number: 4107 8530 66	
DN: HOP110501		Rev: 00	
Sheet 1 of 1		DO NOT SCALE THIS DOCUMENT	