

This drawing and the information contained thereon remain the property of BeaconMedics and may not be used for other than the purpose for which it is loaned without the expressed written permission from BeaconMedics Engineering.

Notes:


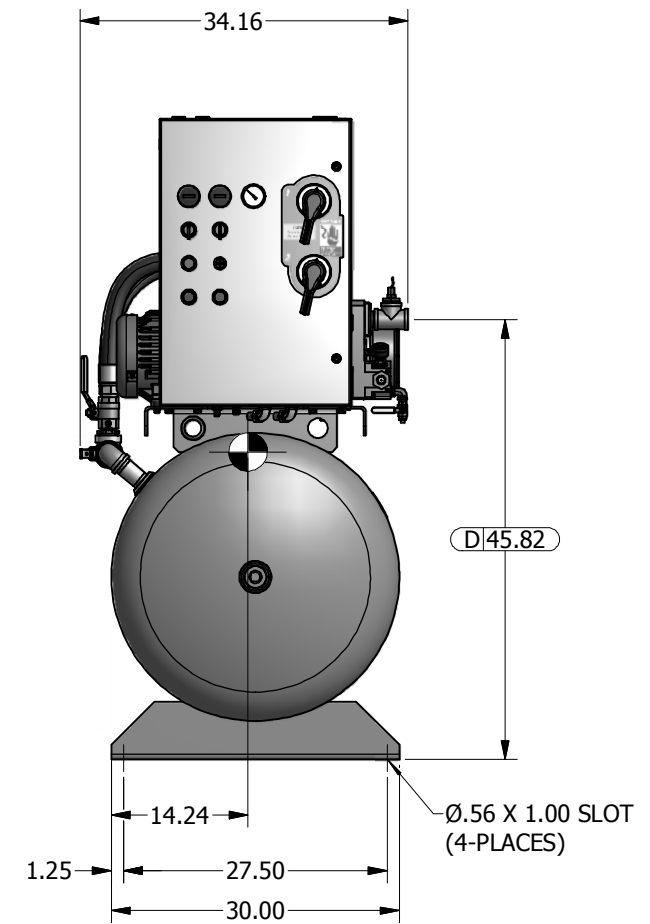
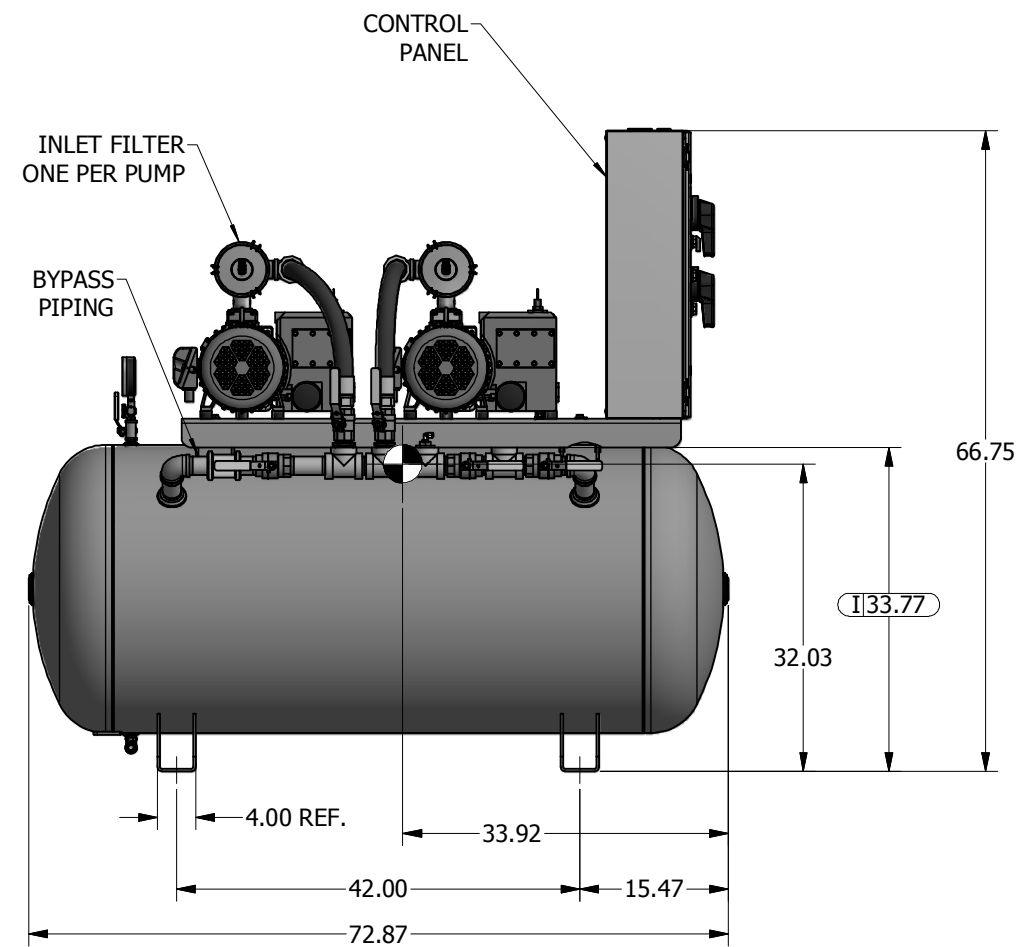
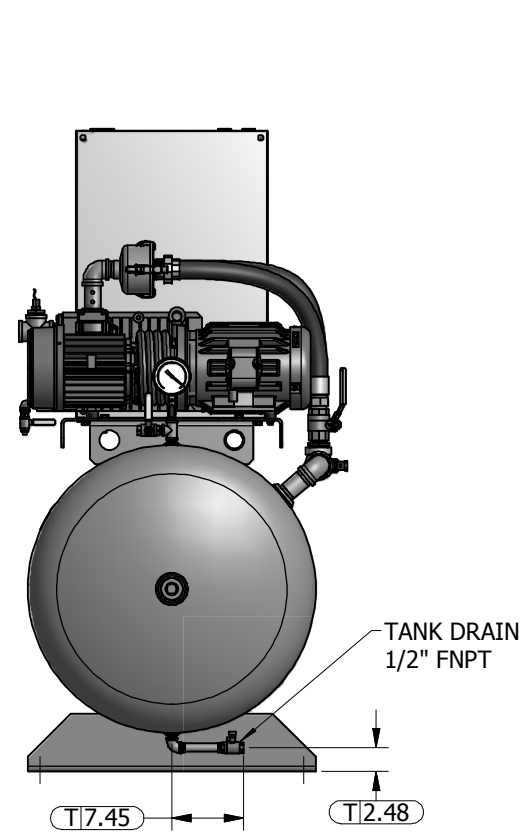
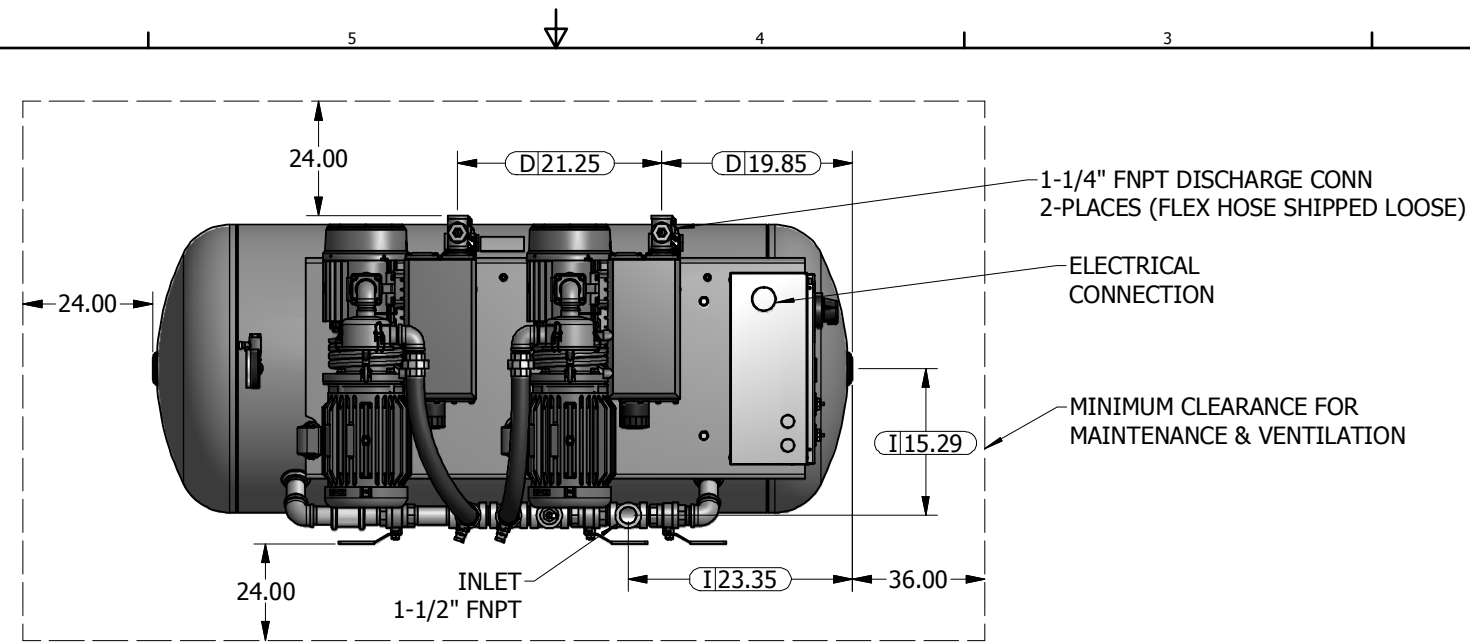

1. SYSTEM WEIGHT: 1088 lbs.
2.  DENOTES CENTER OF GRAVITY.

TABLE	
ID	DESCRIPTION
I	INLET LOCATION
D	DISCHARGE LOCATION
T	TANK DRAIN



INSPECTION CHECKLIST UNLESS OTHERWISE SPECIFIED: 	Revised: _____ Date: _____ Drawn: <i>leb</i> Date: 5/2/2011
ALL ITEMS MARKED BY ONE OF THE ABOVE SYMBOLS ARE TO BE INSPECTED. EQUIPMENT TO BE USED DURING RECEIVING INSPECTION SHALL BE PER QUALITY SYSTEM PROCEDURES	UNLESS OTHERWISE SPECIFIED ALL DIMENSIONS ARE IN INCHES AND TOLERANCES ARE: XX ± .02 XXX ± .005 ANGLES ± .5°
BEACONMEDICS	Scale: <b>D</b>
Description: GENERAL ASSEMBLY BASIC DX 5HP LUBE VAC TANK MOUNTED 200G RECEIVER	Drawing Number: 4107 8531 10
DN: HOP110549	Rev: 00
Sheet 1 of 1	DO NOT SCALE THIS DOCUMENT