
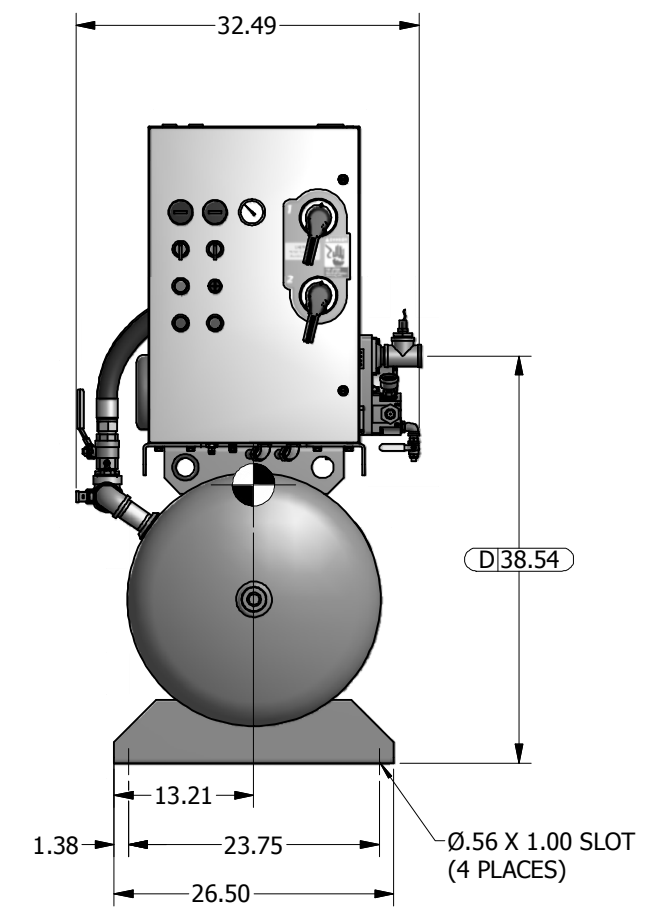
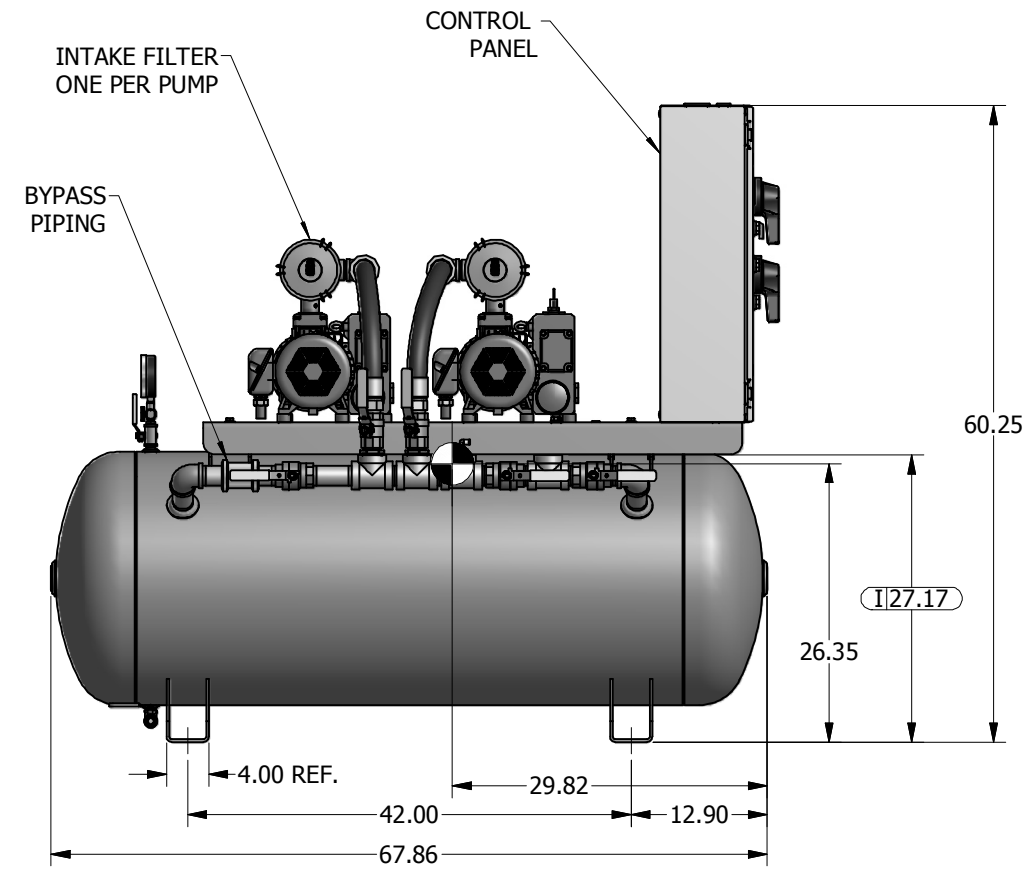
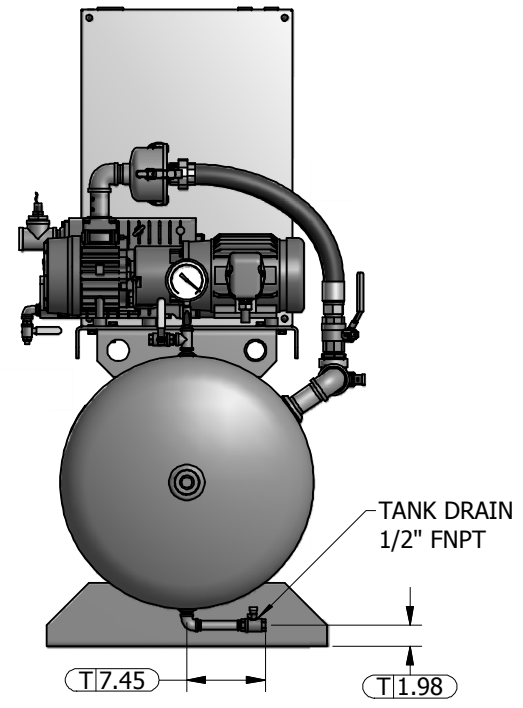
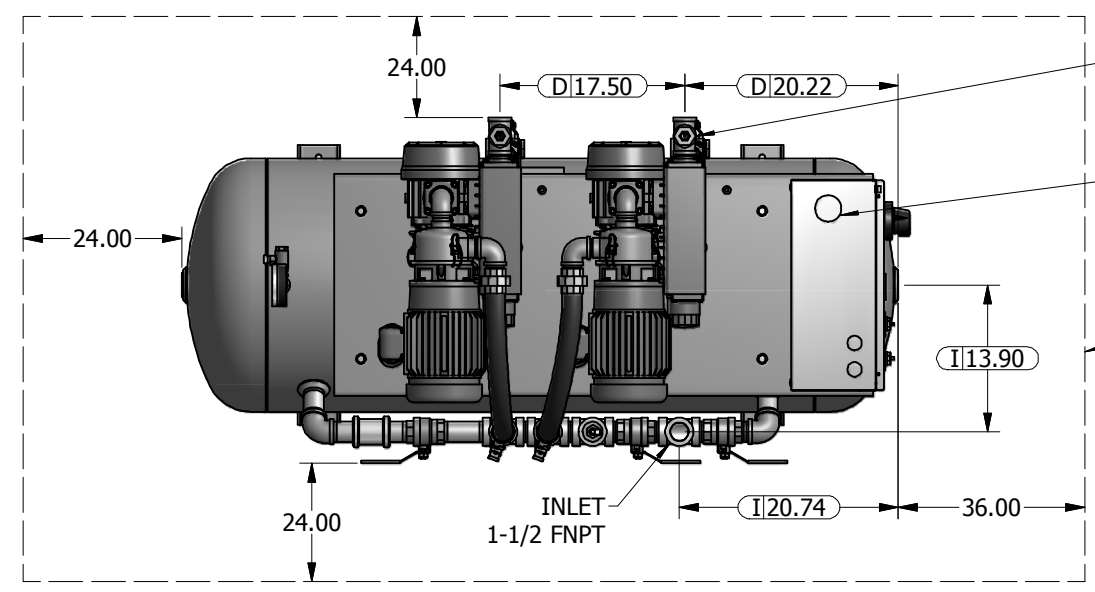




This drawing and the information contained thereon remain the property of BeaconMedas and may not be used for other than the purpose for which it is loaned without the expressed written permission from BeaconMedas Engineering.

- Notes:
1. SYSTEM WEIGHT: 783 LBS
  2.  DENOTES CENTER OF GRAVITY.

SYSTEM CONNECTIONS	
ID	DESCRIPTIONS
I	INLET LOCATION
D	DISCHARGE LOCATION
T	TANK DRAIN



INSPECTION CHECKLIST UNLESS OTHERWISE SPECIFIED:  ALL ITEMS MARKED BY ONE OF THE ABOVE SYMBOLS ARE TO BE INSPECTED. EQUIPMENT TO BE USED DURING RECEIVING INSPECTION SHALL BE PER QUALITY SYSTEM PROCEDURES	Revised:  BEACONMEDES	Date:	Drawn: jeb	Date: 5/2/2011
	Description: GENERAL ASSEMBLY BASIC DX 1.5HP LUBE VAC TANK MOUNTED 120G RECEIVER		Drawing Number: 4107 8531 07	Scale: D
Sheet 1 of 1	Rev: 00	HOP110549	DO NOT SCALE THIS DOCUMENT	