
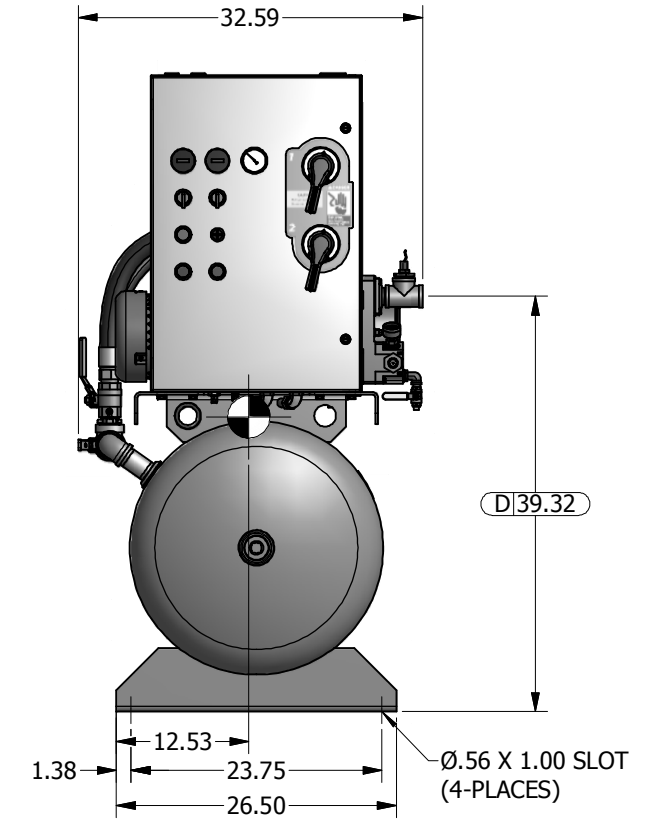
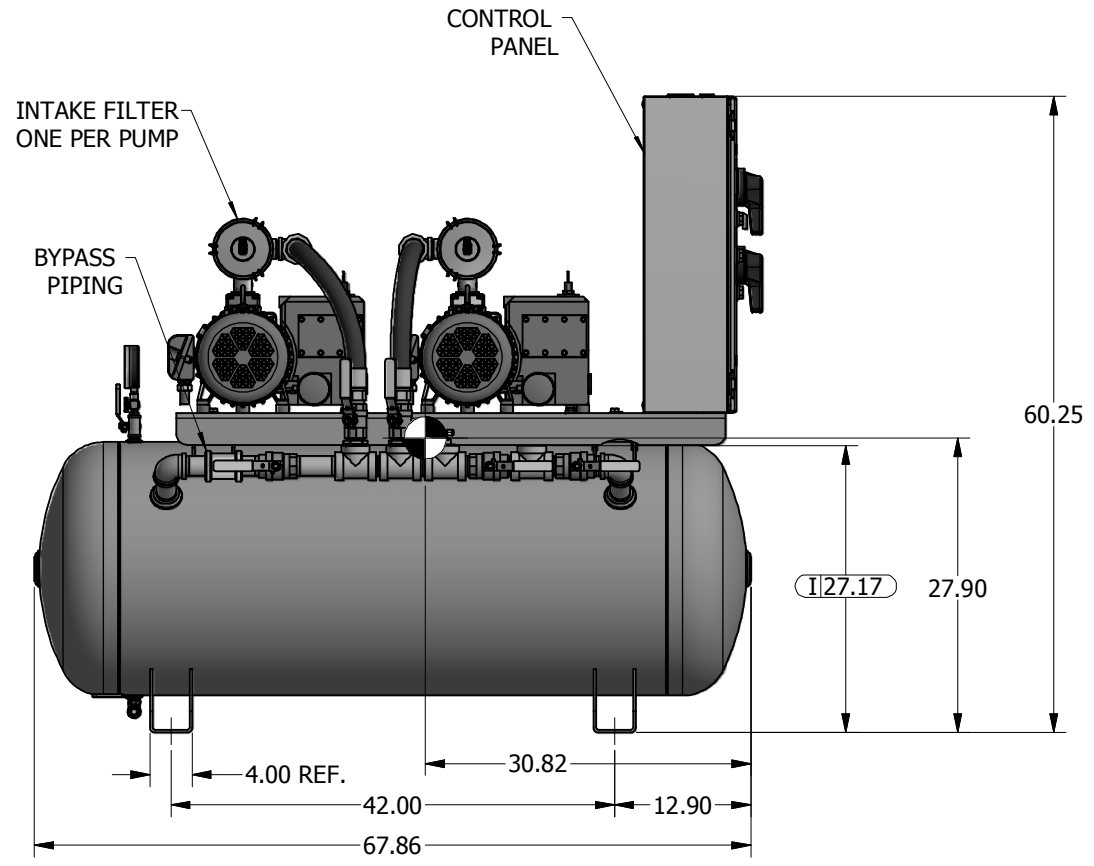
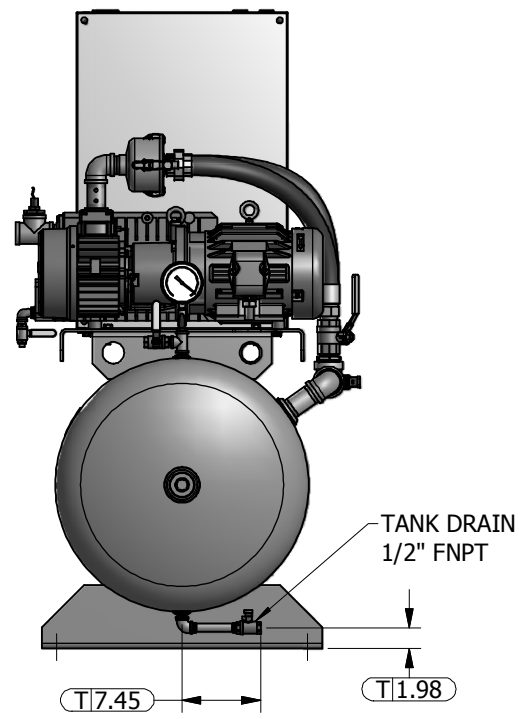
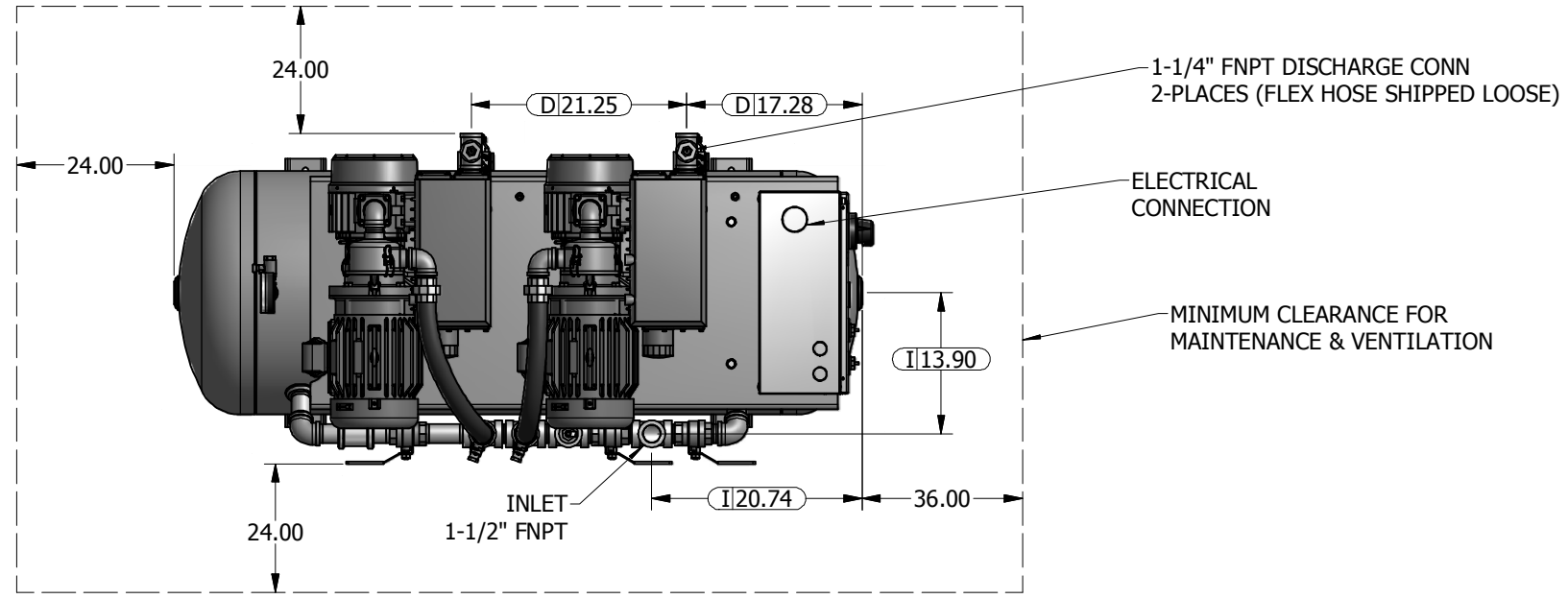




This drawing and the information contained thereon remain the property of BeaconMedas and may not be used for other than the purpose for which it is loaned without the expressed written permission from BeaconMedas Engineering.

- Notes:
1. SYSTEM WEIGHT: 926 LBS
 2.  DENOTES CENTER OF GRAVITY.

SYSTEM CONNECTIONS	
ID	DESCRIPTIONS
I	INLET LOCATION
D	DISCHARGE LOCATION
T	TANK DRAIN



INSPECTION CHECKLIST UNLESS OTHERWISE SPECIFIED:  	Revised: _____ Date: _____ Drawn: <i>leb</i> Date: 5/2/2011
ALL ITEMS MARKED BY ONE OF THE ABOVE SYMBOLS ARE TO BE INSPECTED. EQUIPMENT TO BE USED DURING RECEIVING INSPECTION SHALL BE PER QUALITY SYSTEM PROCEDURES	UNLESS OTHERWISE SPECIFIED ALL DIMENSIONS ARE IN INCHES AND TOLERANCES ARE: XX ± .02 XXX ± .005 ANGLES ± .5°
BEACONMEDAS	Scale: D
Description: GENERAL ASSEMBLY BASIC DX 3HP LUBE VAC TANK MOUNTED 120G RECEIVER	Drawing Number: 4107 8530 71
DN: HOP110549	Rev: 00
Sheet 1 of 1	DO NOT SCALE THIS DOCUMENT