
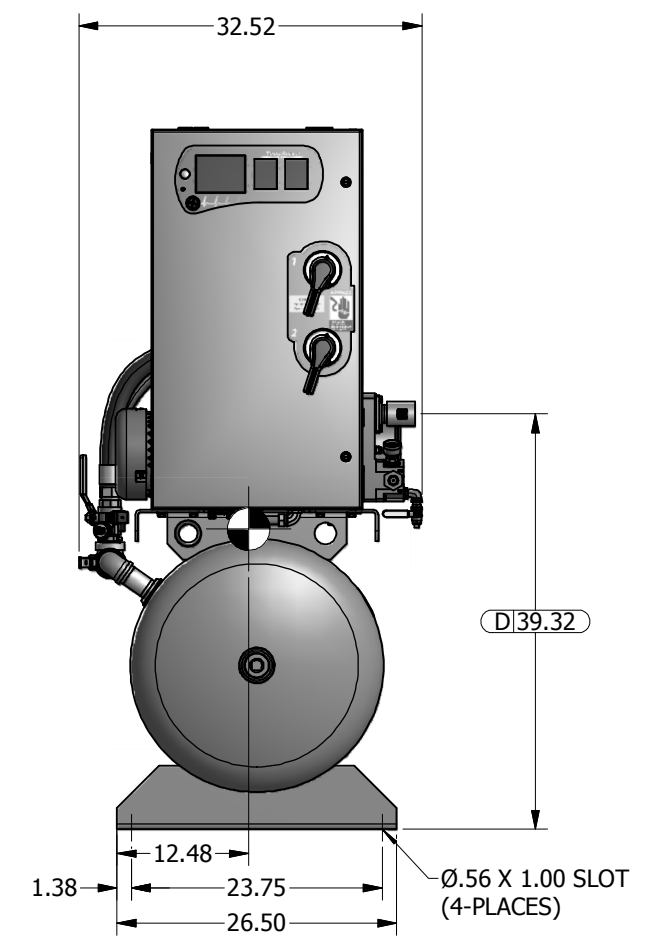
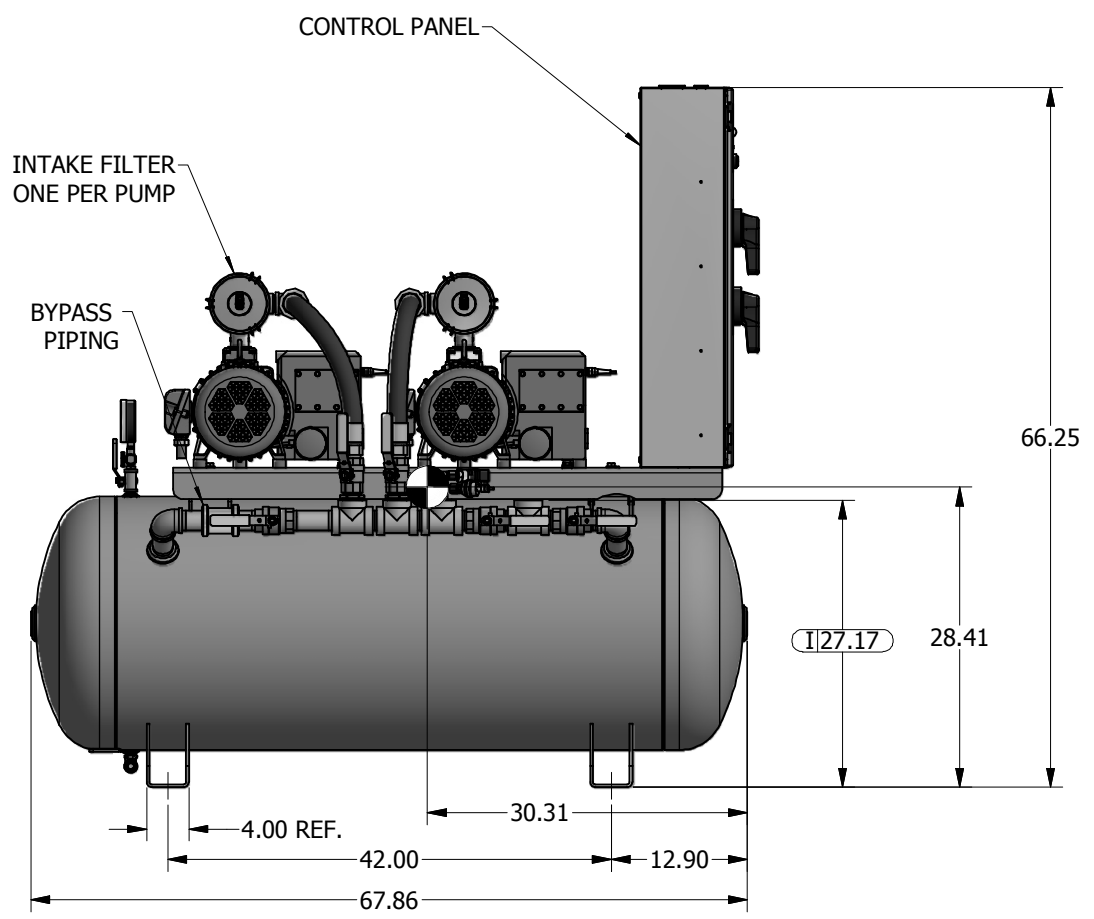
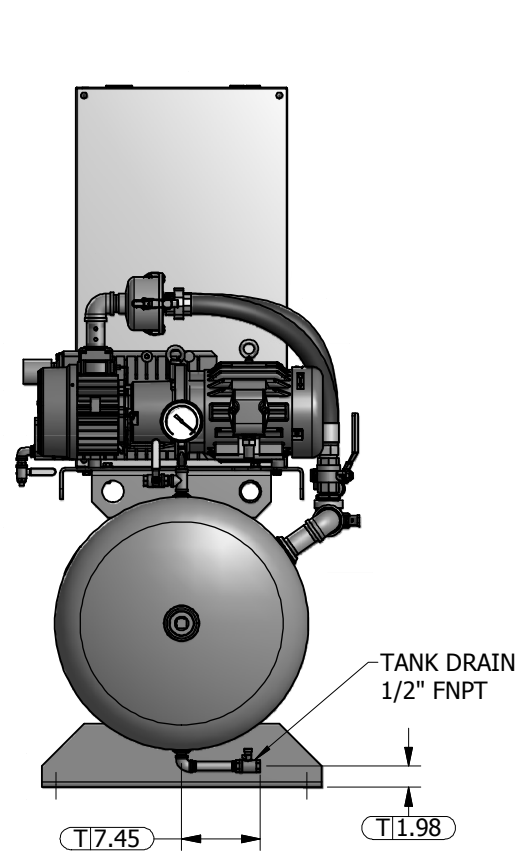
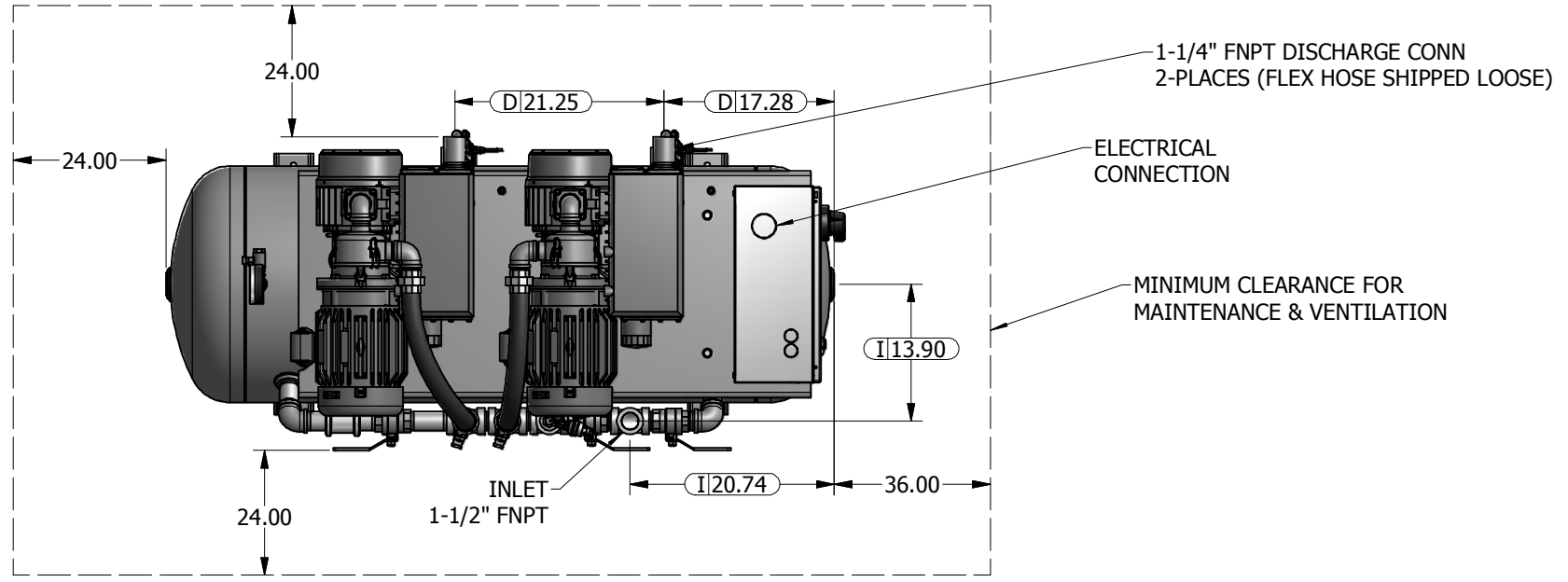




This drawing and the information contained thereon remain the property of BeaconMedas and may not be used for other than the purpose for which it is loaned without the expressed written permission from BeaconMedas Engineering.

- Notes:
1. SYSTEM WEIGHT: 923 LBS
  2.  DENOTES CENTER OF GRAVITY.

SYSTEM CONNECTIONS	
ID	DESCRIPTIONS
I	INLET LOCATION
D	DISCHARGE LOCATION
T	TANK DRAIN



INSPECTION CHECKLIST UNLESS OTHERWISE SPECIFIED:  	Revised: Date: Drawn: Date: 4/18/2011	UNLESS OTHERWISE SPECIFIED ALL DIMENSIONS ARE IN INCHES AND TOLERANCES ARE: XXX ±.02 XXX ±.005 ANGLES ±.5	Scale: <b>D</b>
ALL ITEMS MARKED BY ONE OF THE ABOVE SYMBOLS ARE TO BE INSPECTED EQUIPMENT TO BE USED DURING RECEIVING INSPECTION SHALL BE PER QUALITY SYSTEM PROCEDURES	BEACONMEDAS	Description: GENERAL ASSEMBLY DX 3HP LUBE VAC TANK MOUNTED 120G RECEIVER	Drawing Number: 4107 8530 70 Rev: 00 Sheet 1 of 1 DO NOT SCALE THIS DOCUMENT