
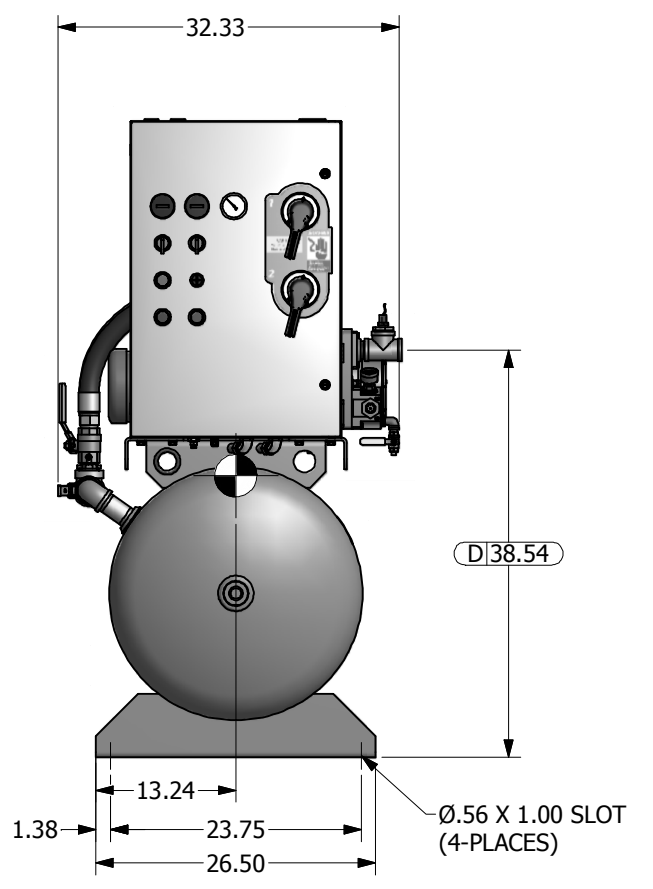
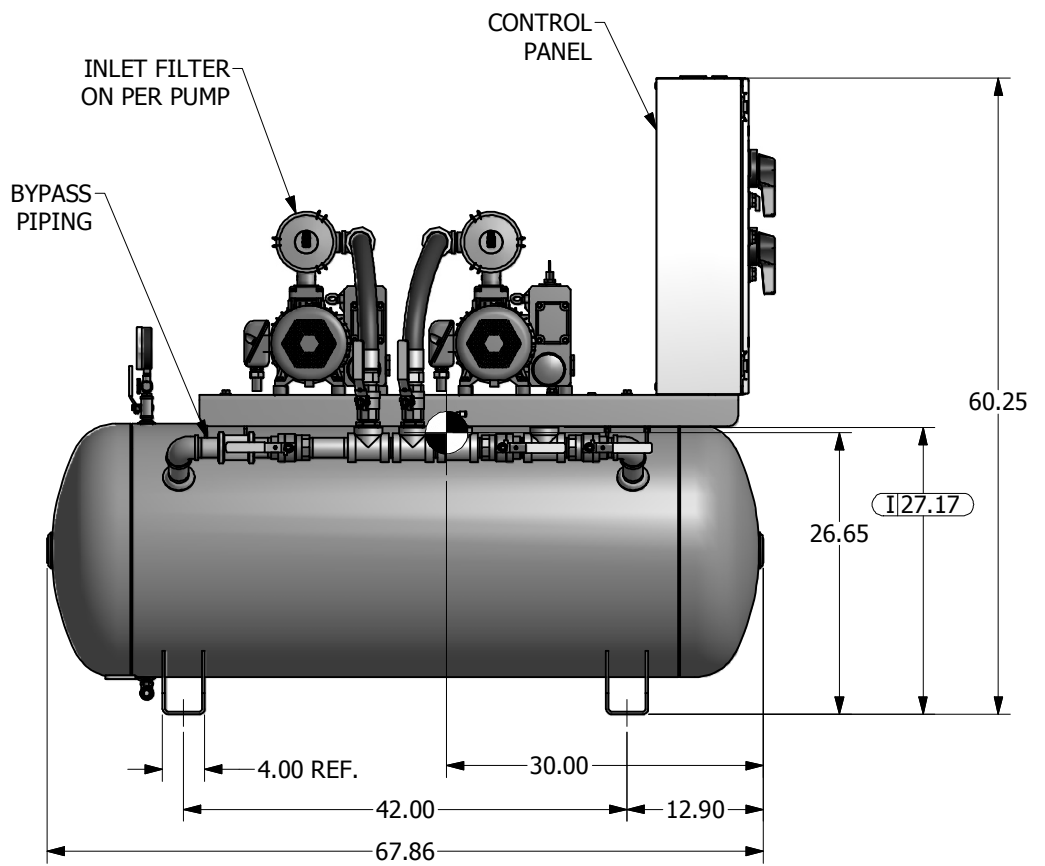
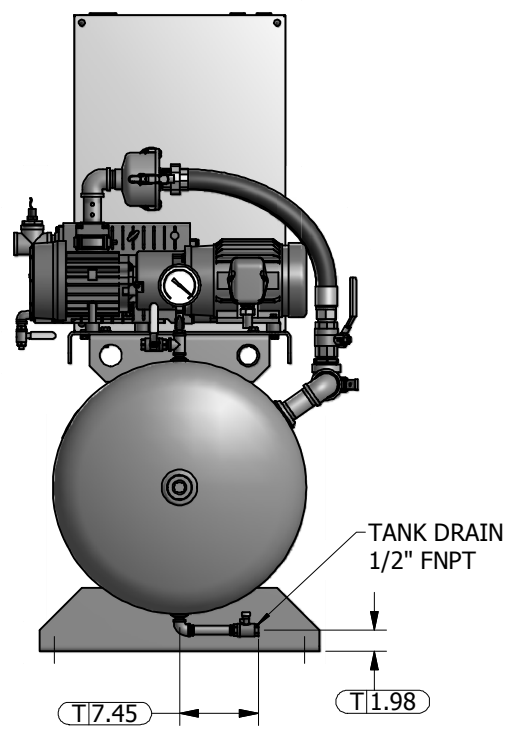
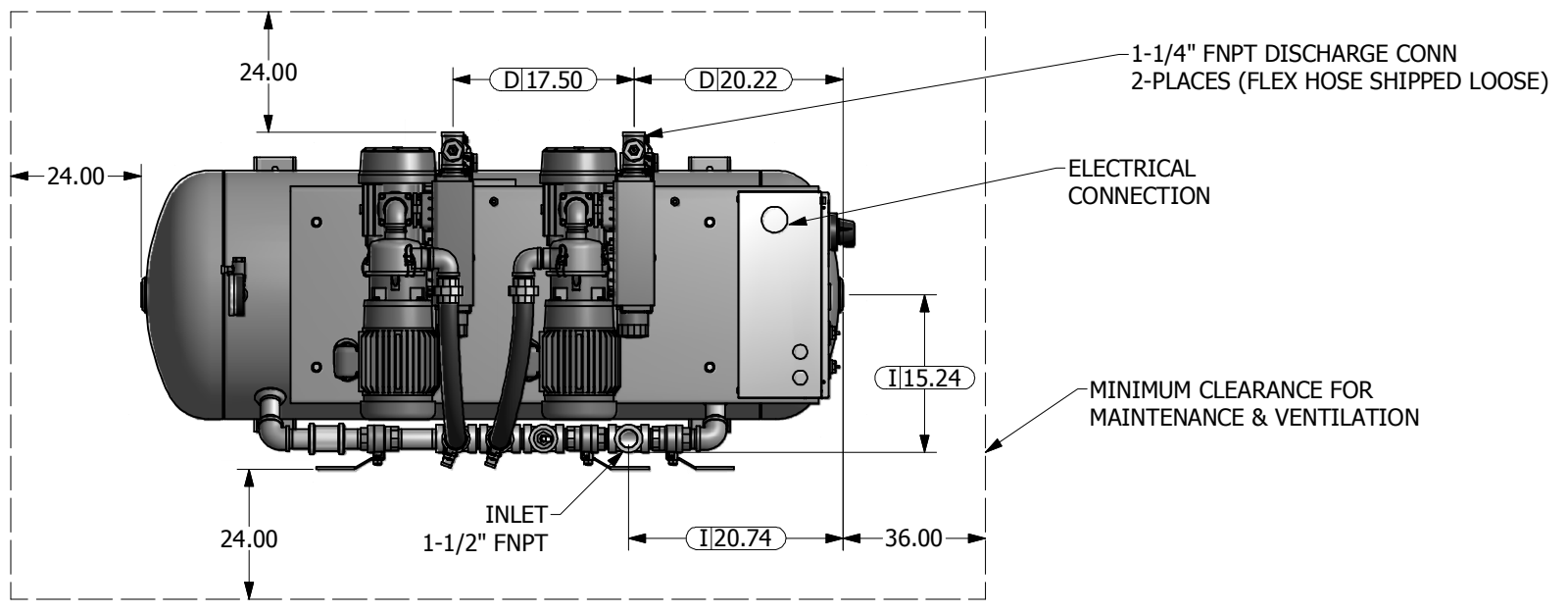



Notes:

1. SYSTEM WEIGHT: 811 lbs.
2.  DENOTES CENTER OF GRAVITY.

SYSTEM CONNECTIONS	
ID	DESCRIPTION
I	INLET LOCATION
D	DISCHARGE LOCATION
T	TANK DRAIN



Revised:	Date:	Drawn:	Date:
		JEB	5/2/2011
		This drawing and the information contained therein remain the property of BeaconMedes and may not be used for other than the purpose for which it is loaned without the expressed written permission from BeaconMedes Engineering.	
Description: GENERAL ASSEMBLY BASIC DX 2Hp LUBE VAC TANK MOUNTED 120G RECEIVER		Drawing Number: 4107 8530 69	Scale: 1:8
DN: HOP110549		Rev: 00	Sheet 1 of 1
		DO NOT SCALE THIS DOCUMENT	