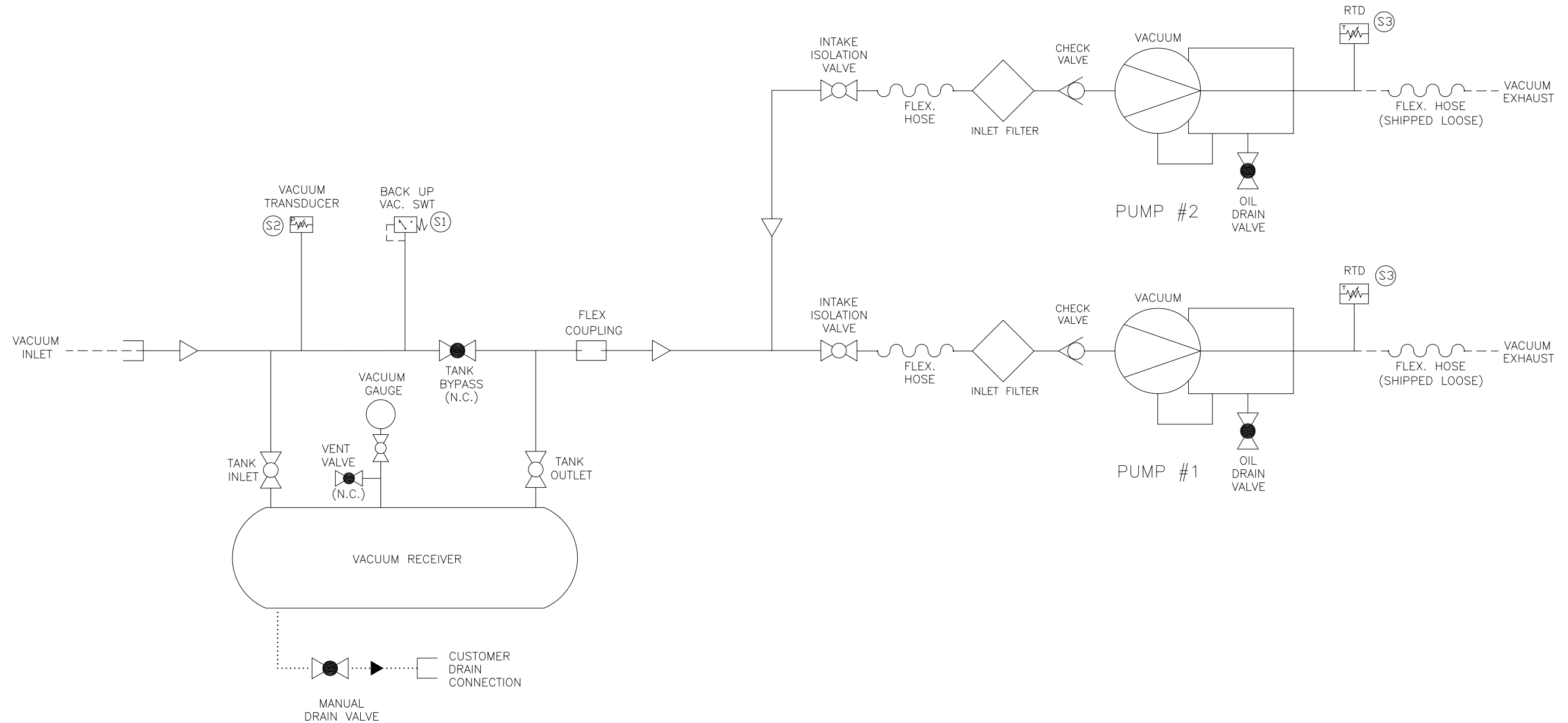
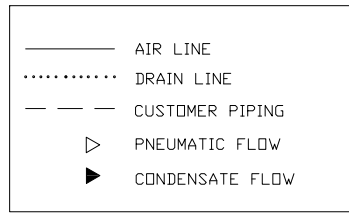


This drawing and the information contained therein remain the property of BeaconMedes and may not be used for other than the purpose for which it is loaned without the expressed written permission from BeaconMedes Engineering.

INSTRUMENTATION DETAILS			
SENSOR	DESCRIPTION	SETTING	ACTION
S1	BACKUP VAC. SWT.	15" Hg ON THE FALL	BACKUP OPERATION
S2	VACUUM TRANSDUCER	VAC-15PSIG	OPERATION
S3	HIGH DISCH TEMP	250°F	SHUTDOWN



Revised:	Date:	Drawn: BJM	Date: 10/22/10
		This drawing and the information contained therein remain the property of BeaconMedes and may not be used for other than the purpose for which it is loaned without the expressed written permission from BeaconMedes Engineering.	
Description:		Part Number:	
PNEUMATIC DIAGRAM DX		4107 8523 34	
DN: HOP100651		Rev: 00	
Sheet 1 of 1		DO NOT SCALE THIS DOCUMENT	