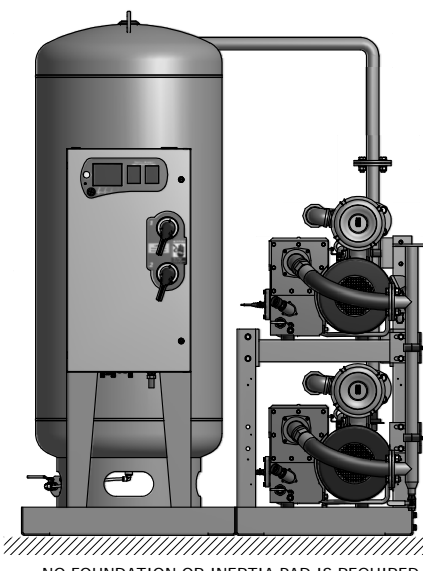
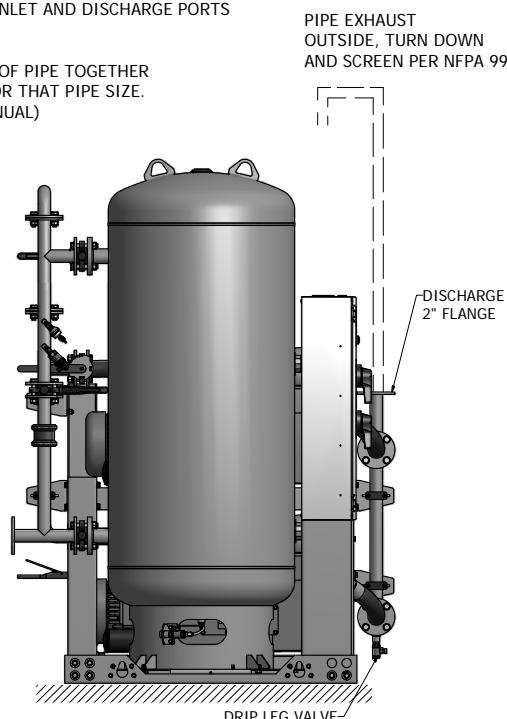
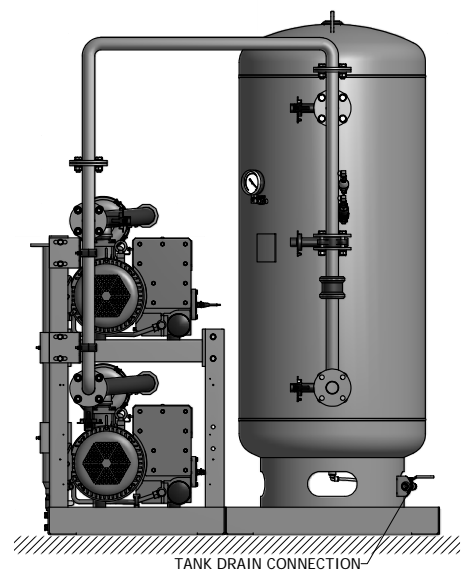
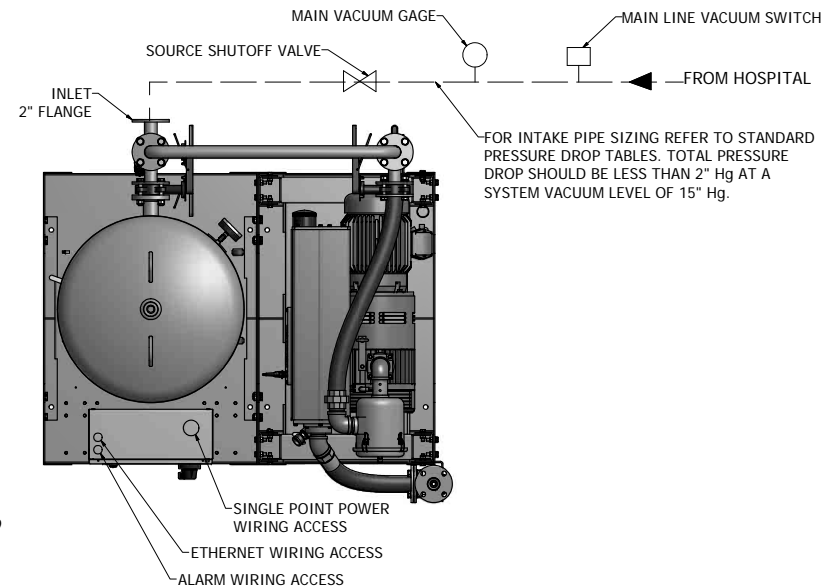


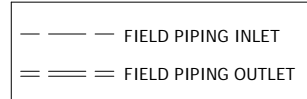
NOTES:

1. ALL INTERCONNECTING PIPE AND FITTINGS SHALL BE INSTALLED BY THE CONTRACTOR.
2. ALL PIPING SHALL BE INSTALLED IN ACCORDANCE WITH NFPA 99, 2005 EDITION. PIPING LAYOUT IS DIAGRAMMATIC ONLY. FINAL ARRANGEMENT WILL BE SITE SPECIFIC. CONTRACTOR WILL BE RESPONSIBLE FOR FIELD VERIFICATION AND COORDINATING ACTUAL LOCATION WITH ALL OTHER TRADES.
3. CONTRACTOR SHALL VERIFY MOTOR VOLTAGE, PHASE AND AMP RATINGS BEFORE STARTING ELECTRICAL INSTALLATION; AND MAKE CERTAIN THE VOLTAGE SUPPLIED BY THE HOSPITAL IS THE SAME.
4. THE ROOM REQUIRES DEDICATED MECHANICAL VENTILATION WITH AN ALLOWABLE TEMPERATURE VARIANCE OF 40° TO 105°F. (FOR HIGHER AMBIENTS, CONSULT FACTORY)
5. ELECTRICAL POWER SHALL BE SUPPLIED FROM THE EQUIPMENT SYSTEM BRANCH OF THE ESSENTIAL ELECTRICAL SYSTEM (EMERGENCY POWER).
6. EQUIPMENT, INSTALLATION, AND TESTING OF THE MEDICAL VACUUM SYSTEM SHALL COMPLY WITH NFPA 99, 2005 EDITION, AND ALL STATE AND LOCAL CODES OR ORDINANCES.
7. WIRE LAG PUMP RUNNING ALARM REMOTE CONTACTS IN THIS CONTROL SYSTEM TO MASTER ALARM SYSTEM AS REQUIRED BY NFPA 99.
8. ALL ACCESSORIES, PIPE AND FITTINGS, EXCEPT DISCHARGE SILENCERS, BEYOND INLET AND DISCHARGE PORTS ARE SUPPLIED AND INSTALLED BY OTHERS.
9. WHEN DETERMINING THE TOTAL PIPE LENGTH, ADD ALL THE STRAIGHT LENGTHS OF PIPE TOGETHER IN ADDITION TO THE NUMBER OF ELBOWS TIMES THE EFFECTIVE PIPE LENGTH FOR THAT PIPE SIZE. (SEE EQUIVALENT PIPE LENGTH TABLE & EXAMPLE CALCULATION IN THE O&M MANUAL)



| EFFECTIVE PIPE LENGTH FOR ELBOWS | | |
|----------------------------------|-----------|-----------|
| PIPE SIZE (IN) | 2.00" NPT | 3.00" NPT |
| EFF. PIPE LENGTH (FT) | 4.9 | 7.9 |

| EXHAUST PIPE SIZE TABLE | | |
|-------------------------|-------------|-----------|
| UNIT SIZE | PIPE LENGTH | |
| | DX 5HP | 0-75' |
| 2.00" NPT | | 3.00" NPT |
| UNIT SIZE | PIPE LENGTH | |
| | DX 7.5HP | 0-400' |
| 3.00" NPT | | 4.00" NPT |



(200 GALLON RECEIVER SHOWN)

| | | | |
|---|-----------------|----------------------------|-------------|
| Revised: CCC | Date: 6/13/2013 | Drawn: JEB | Scale: 1/10 |
| | | | Circle: D |
| <small>This drawing and the information contained therein remain the property of BeaconMedical and may not be used for other than the purpose for which it is issued without the expressed written permission from BeaconMedical Engineering.</small> | | | |
| Description: INSTALLATION DIAGRAM DX 5-7.5HP LUBE VAC SPC | | Part Number: 4107 8523 15 | Rev: 01 |
| Sheet: 1 of 1 | | DO NOT SCALE THIS DOCUMENT | |