

Notes:

1. SYSTEM WEIGHT: 10,080 LBS.
(INCLUDES FUTURE EXPANSION PUMP)
2. ☒ INDICATES LIFTING POINT.
3. ● DENOTES CENTER OF GRAVITY.
(INCLUDES FUTURE EXPANSION PUMP)

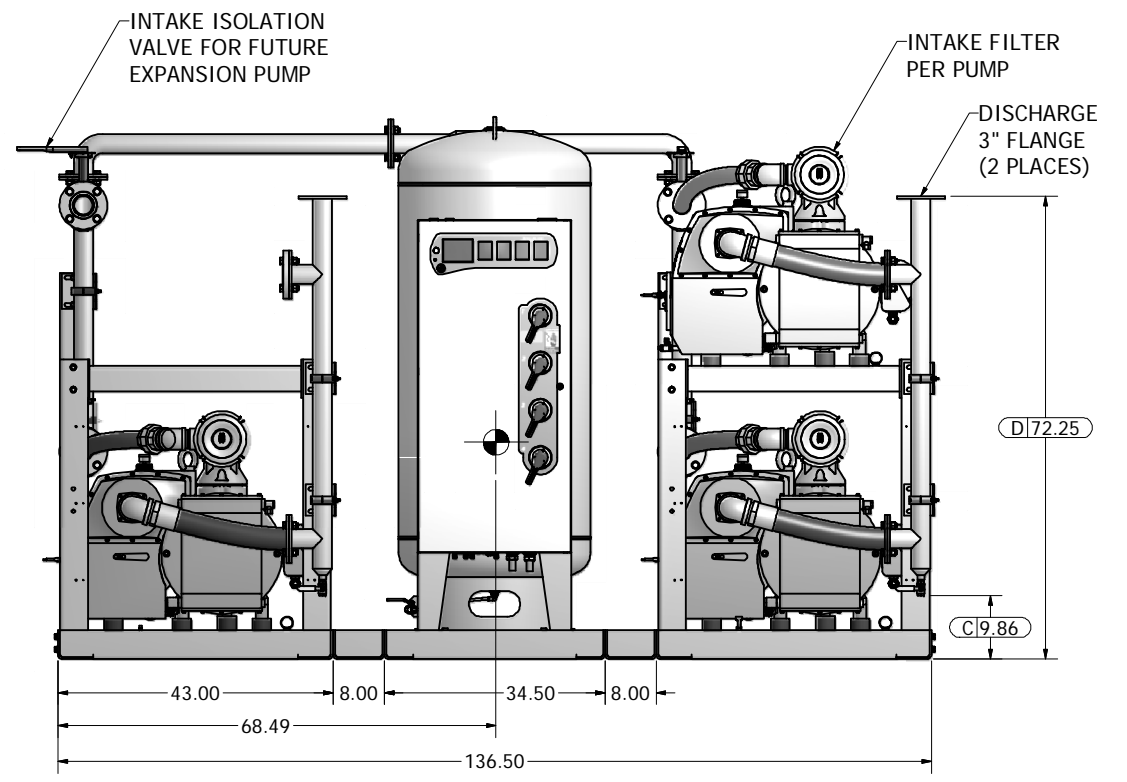
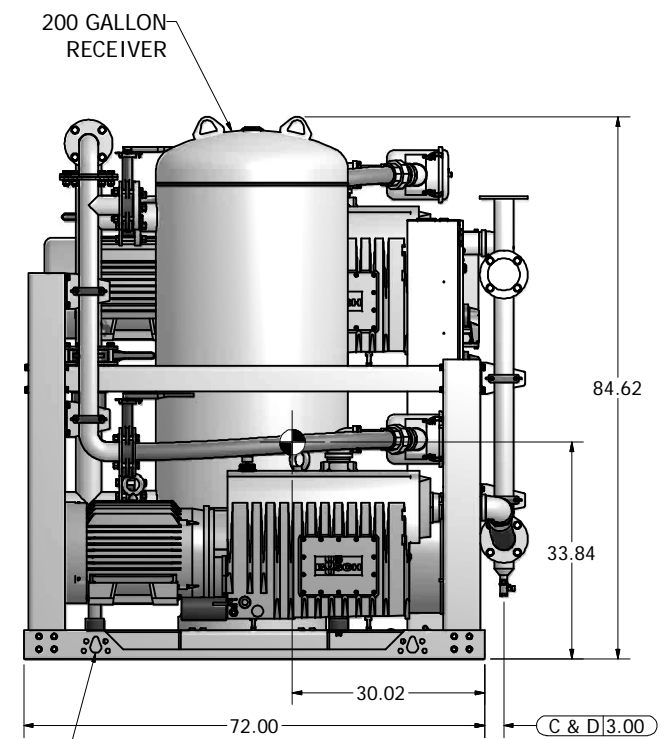
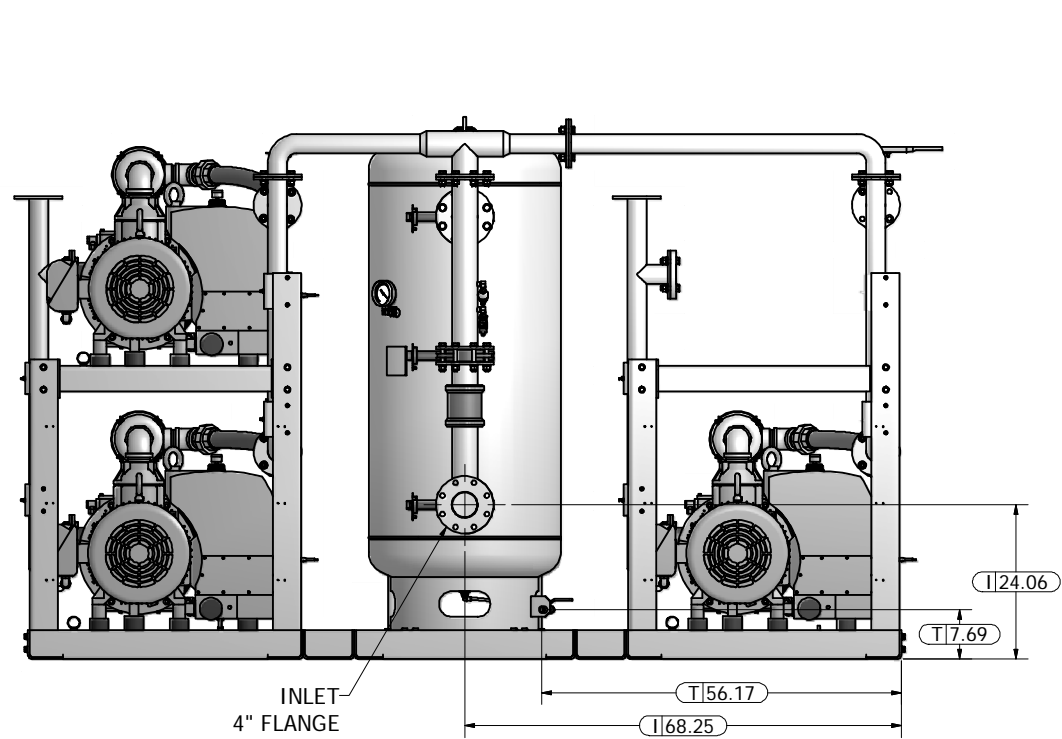
SYSTEM CONNECTIONS	
ID	DESCRIPTION
I	INLET LOCATION
D	DISCHARGE LOCATION
C	CONDENSATE DRAIN LOCATION
T	TANK DRAIN LOCATION

MINIMUM CLEARANCE FOR MAINTENANCE & VENTILATION

FUTURE EXPANSION PUMP

ELECTRICAL CONNECTION

Ø0.75 BOLT-DOWNS (12 PLACES)



460V PANEL SHOWN

Revised:	Date:	Drawn:	Date:
		MDB	10/4/2010
		This drawing and the information contained therein remain the property of BeaconMedes and may not be used for other than the purpose for which it is loaned without the expressed written permission from BeaconMedes Engineering.	
Description:		Part Number:	
GENERAL ASSEMBLY 25HP TX-EXP-OX LUBE VAC SPC 200G RECEIVER		4107 8523 03	
DN:	Rev:	Scale: 1/15	
HOP100688	00	D	
Sheet 1 of 1	DO NOT SCALE THIS DOCUMENT		