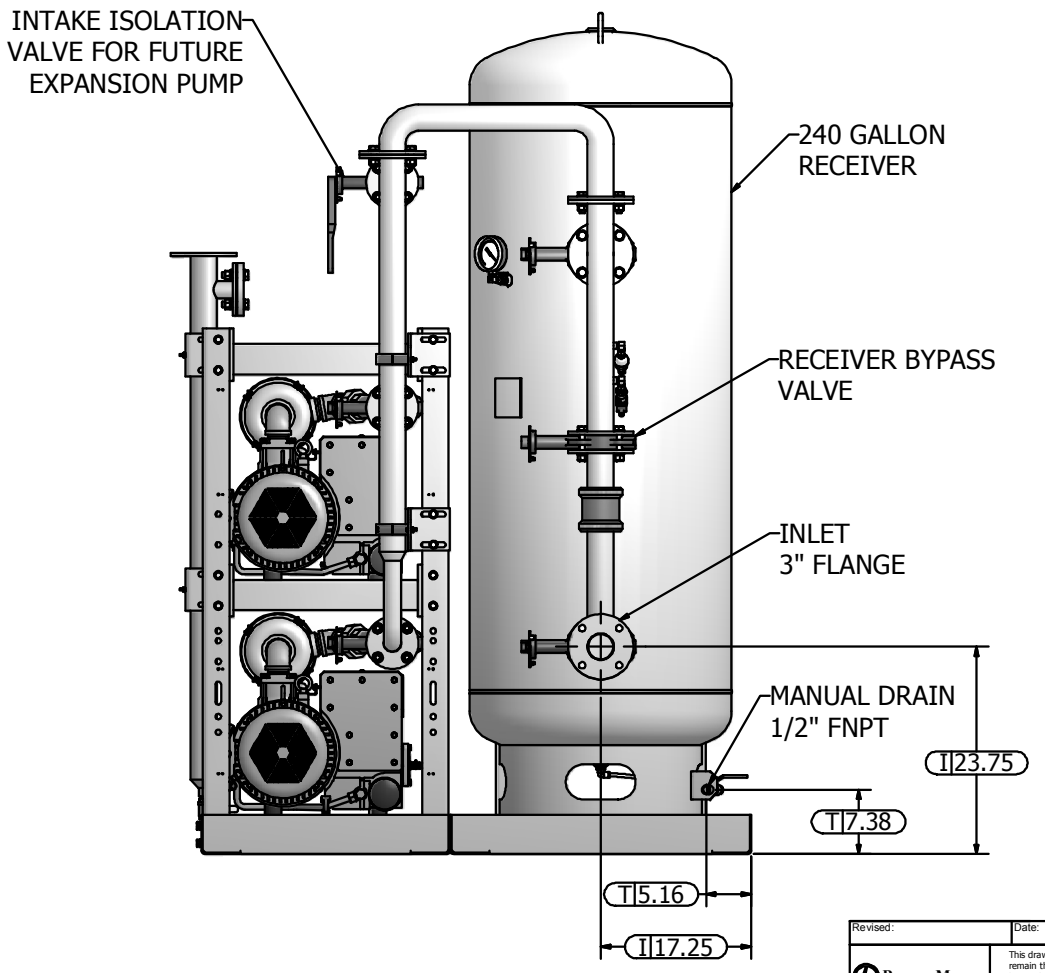
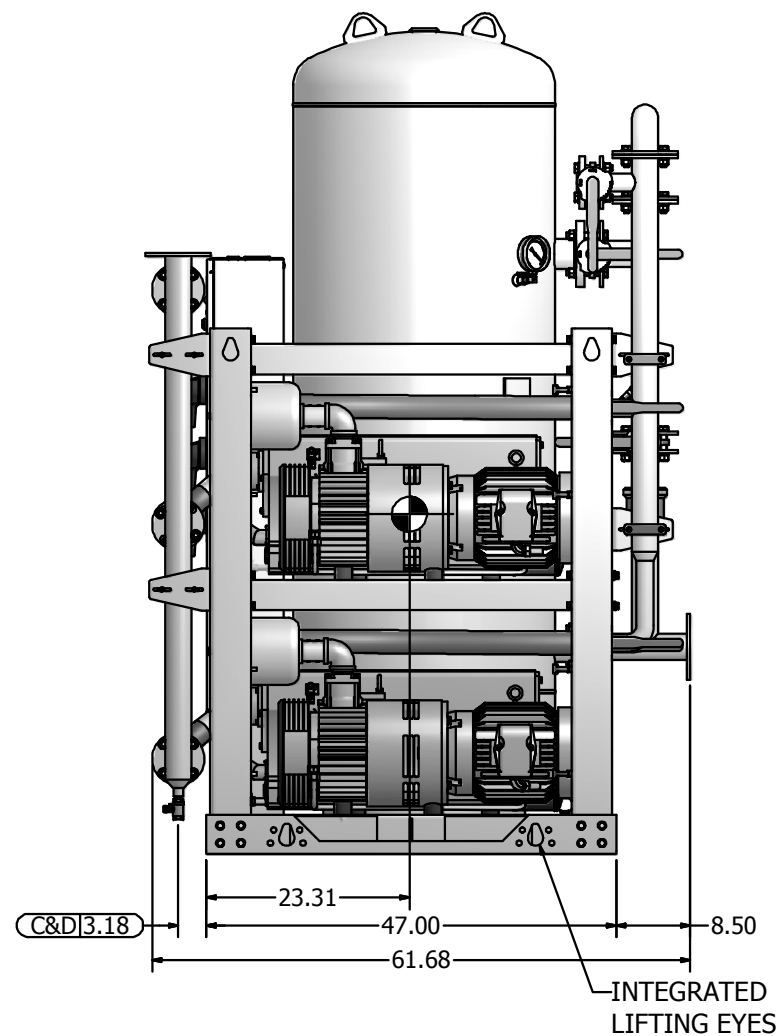
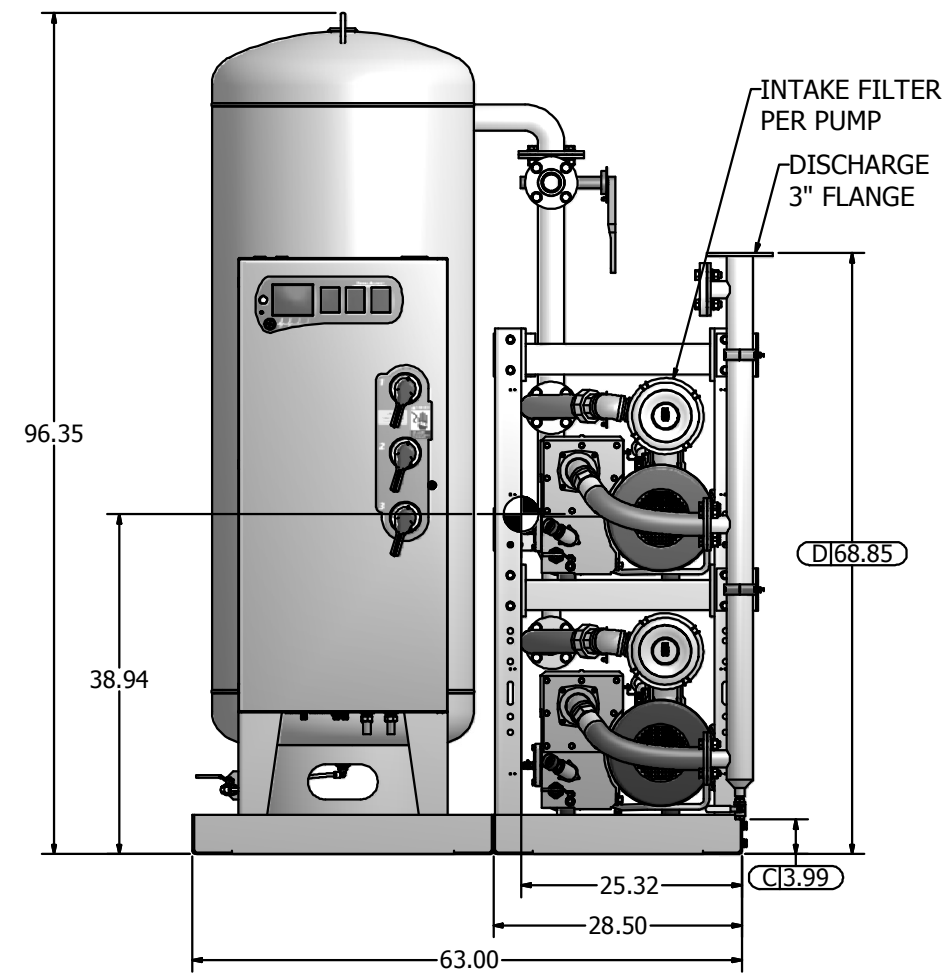


- Notes:
1. SYSTEM WEIGHT: 2,954 LBS. (INCLUDES FUTURE EXPANSION PUMP).
 2. ☒ INDICATES LIFTING POINT.
 3. ● DENOTES CENTER OF GRAVITY. (INCLUDES FUTURE EXPANSION PUMP).

SYSTEM CONNECTIONS	
ID	DESCRIPTION
I	INLET LOCATION
D	DISCHARGE LOCATION
C	CONDENSATE DRAIN LOCATION
T	TANK DRAIN LOCATION



Revised:	Date:	Drawn:	Date:
		USNKW	10/29/2010
		This drawing and the information contained therein remain the property of BeaconMedes and may not be used for other than the purpose for which it is loaned without the expressed written permission from BeaconMedes Engineering.	
Description: GENERAL ASSEMBLY 7.5HP DX-X-TX LUBE VAC SPC 240G VERT RECEIVER		Part Number: 4107 8522 84 DN: HOP100782 Rev: 00 Sheet 1 of 1	
		Scale: NTS D DO NOT SCALE THIS DOCUMENT	