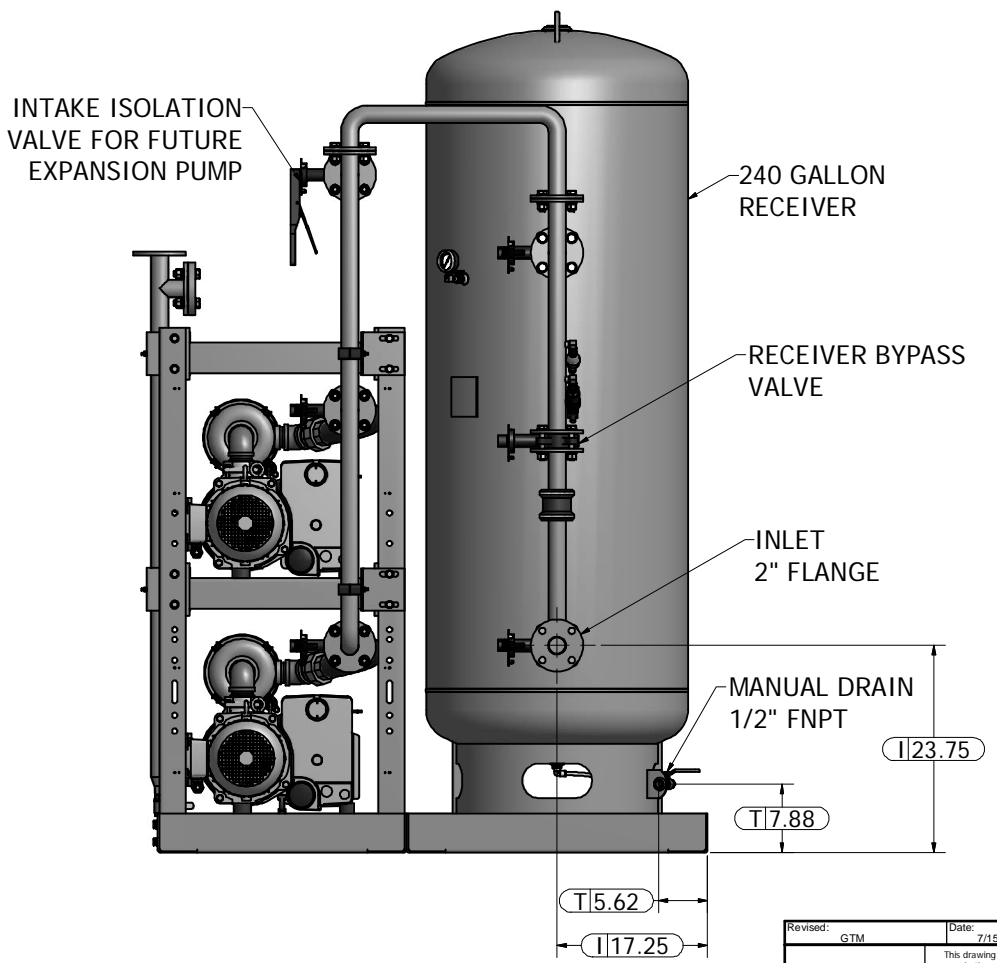
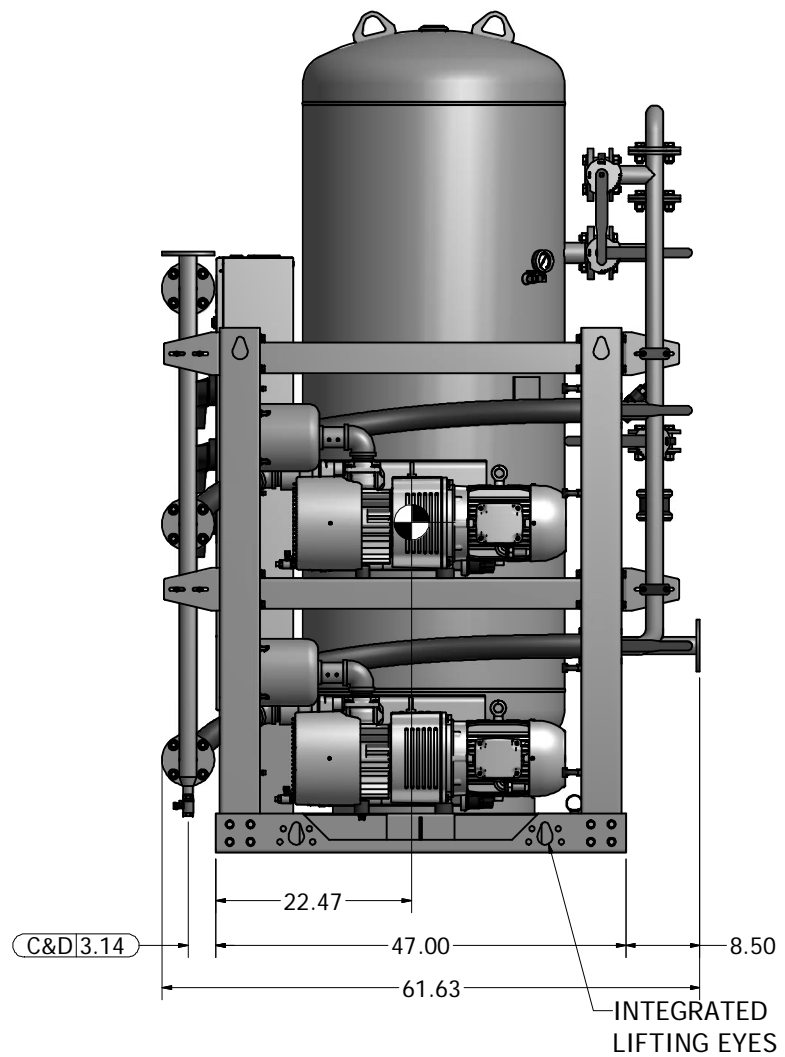
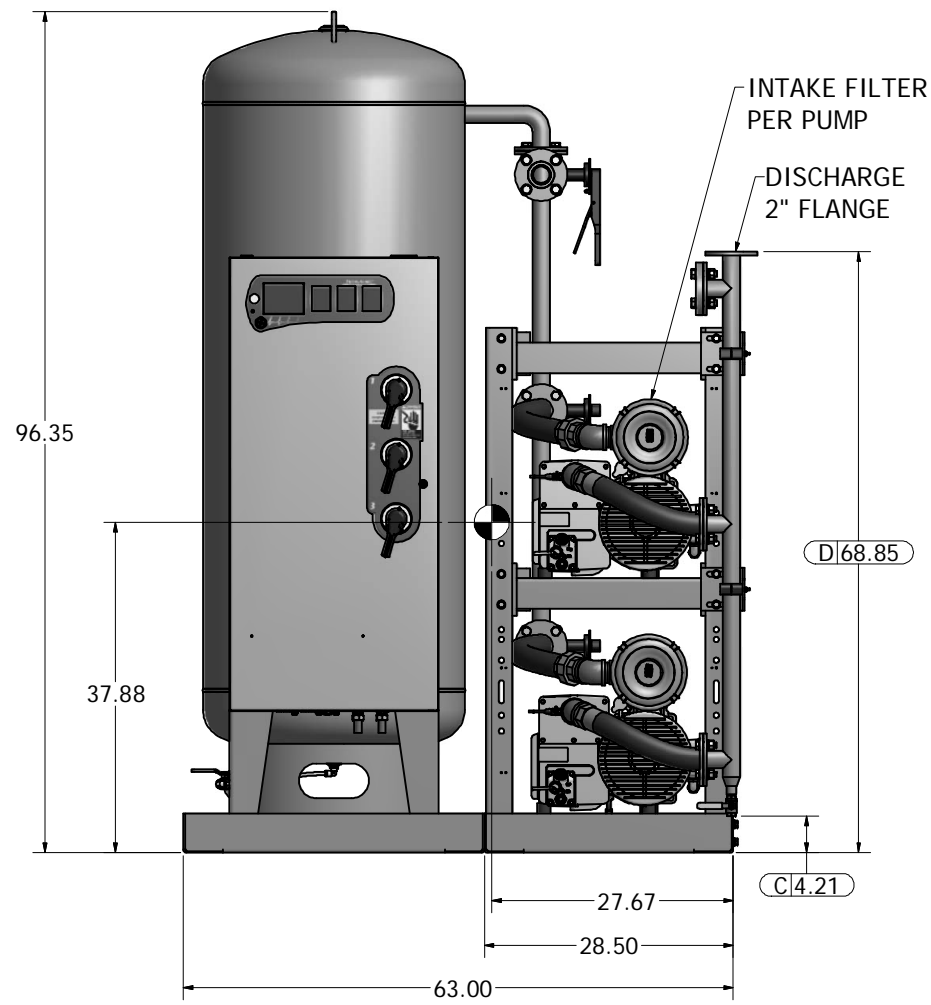
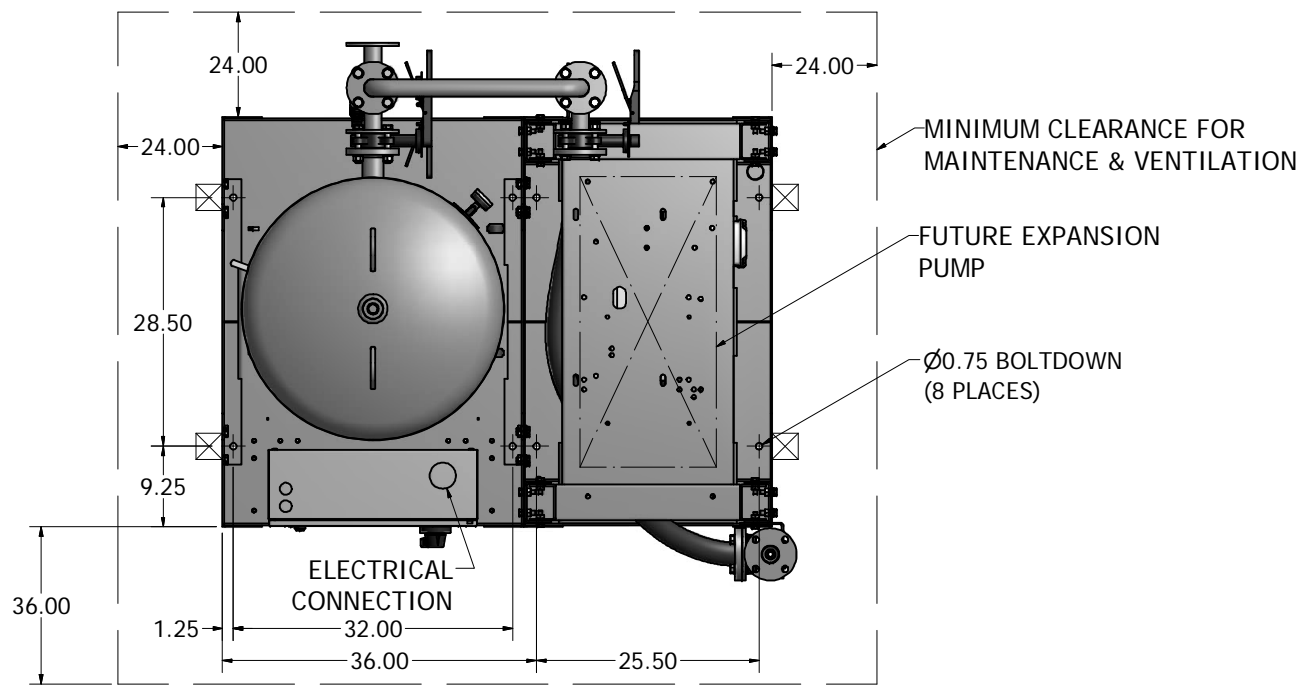


- Notes:
1. SYSTEM WEIGHT: 2,414 LBS. (INCLUDES FUTURE EXPANSION PUMP).
  2. ☒ INDICATES LIFTING POINT.
  3. ● DENOTES CENTER OF GRAVITY. (INCLUDES FUTURE EXPANSION PUMP).

| SYSTEM CONNECTIONS |                           |
|--------------------|---------------------------|
| ID                 | DESCRIPTION               |
| I                  | INLET LOCATION            |
| D                  | DISCHARGE LOCATION        |
| C                  | CONDENSATE DRAIN LOCATION |
| T                  | TANK DRAIN LOCATION       |



|   |                 |  |                  |
|---|-----------------|--|------------------|
| Revised: GTM  | Date: 7/15/2015 | Drawn: USNKW   | Date: 10/29/2010 |
|   |                 | This drawing and the information contained therein remain the property of BeaconMedes and may not be used for other than the purpose for which it is loaned without the expressed written permission from BeaconMedes Engineering. |                  |
| Description:<br>GENERAL ASSEMBLY<br>5HP DX-X-TX LUBE VAC SPC<br>240G RECEIVER |                 | Part Number:<br>4107 8522 82<br>DN: HOP150676<br>Rev: 01<br>Sheet 1 of 1<br>DO NOT SCALE THIS DOCUMENT   |                  |
|   |                 | <b>D</b>   |                  |