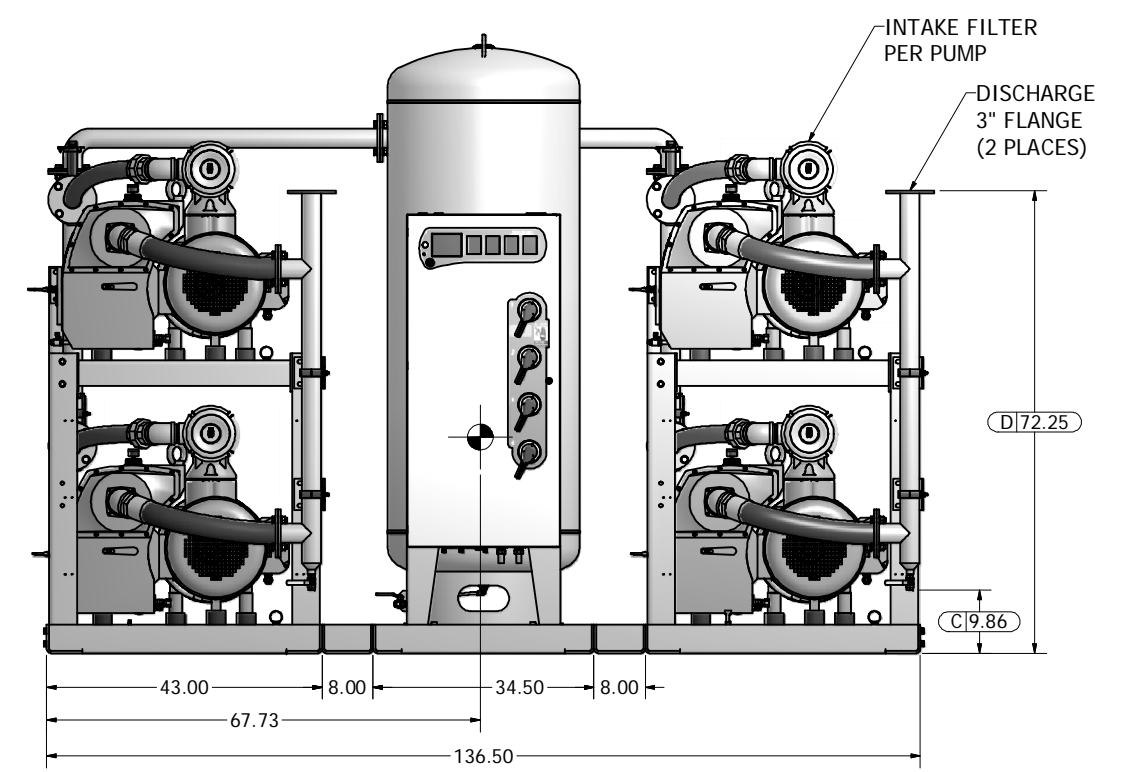
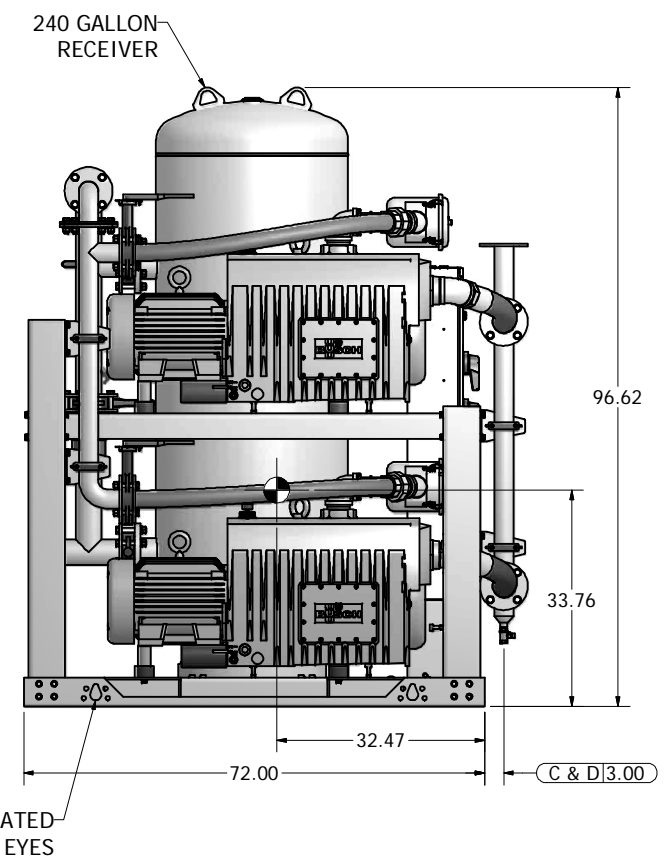
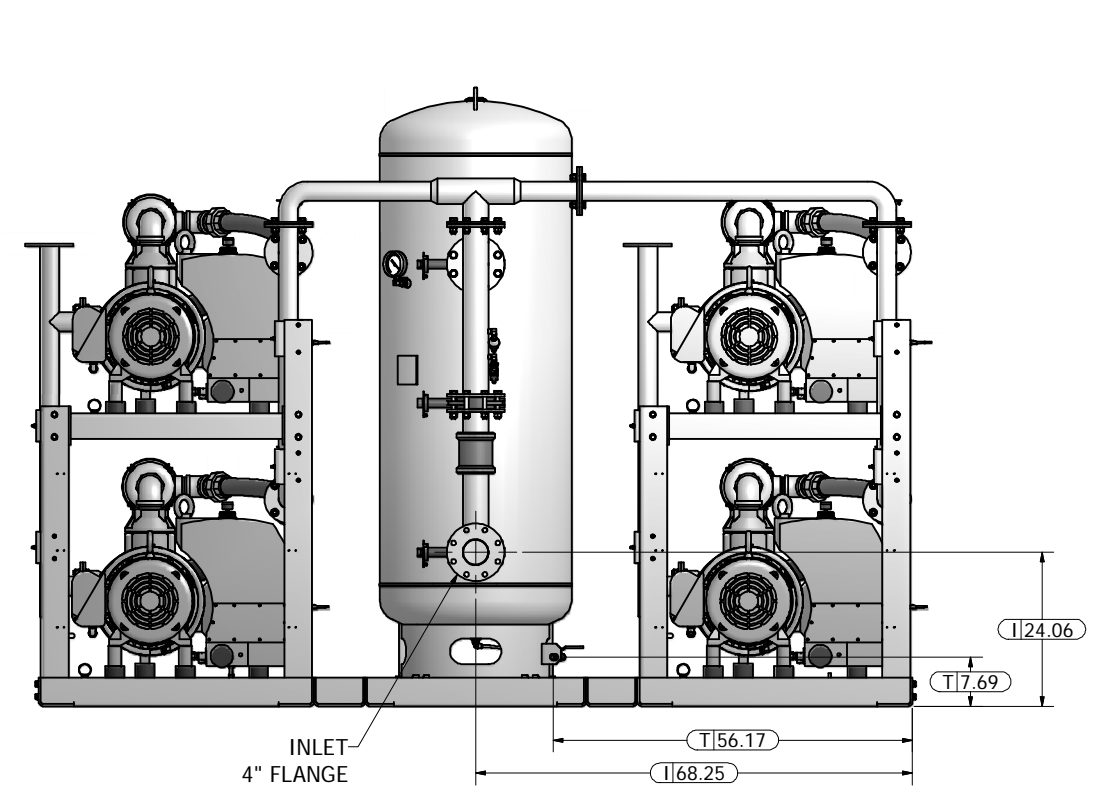
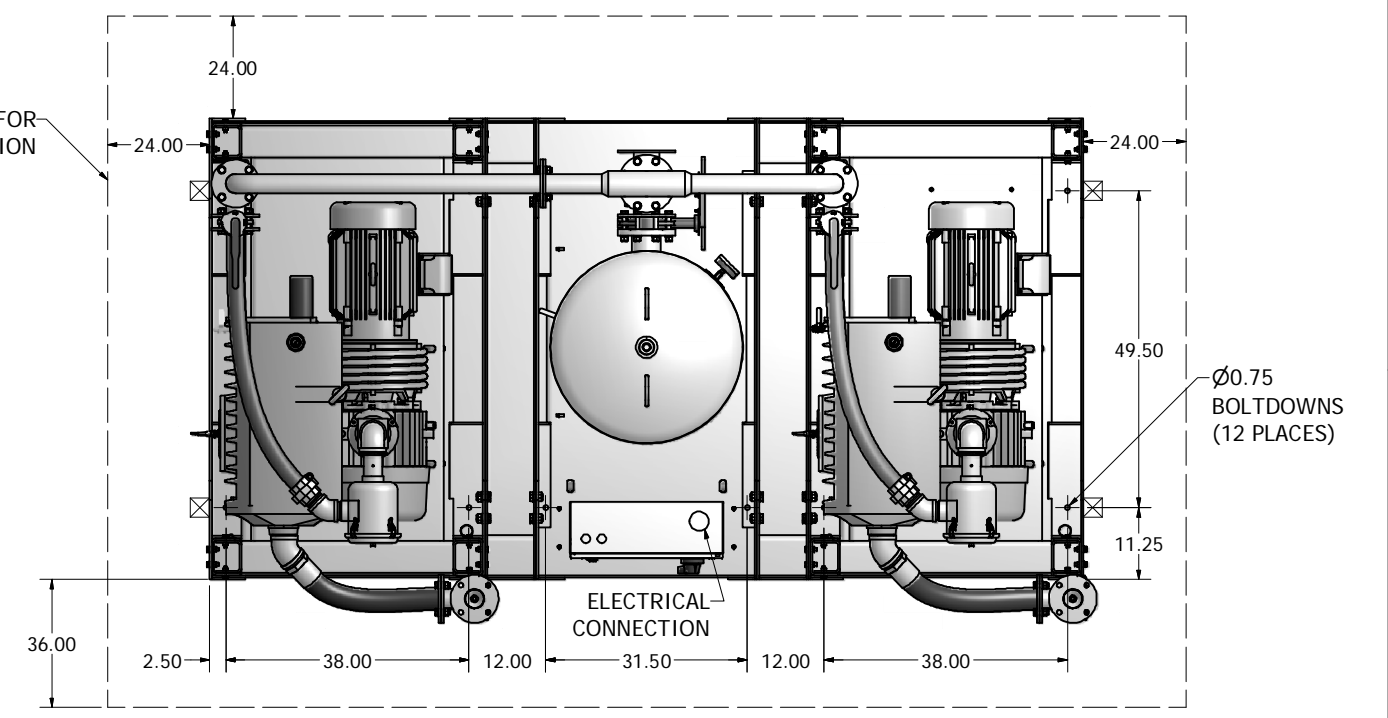


- Notes:
1. SYSTEM WEIGHT: 8,640 LBS.
  2. ☒ INDICATES LIFTING POINT.
  3. ● DENOTES CENTER OF GRAVITY.

SYSTEM CONNECTIONS	
ID	DESCRIPTION
I	INLET LOCATION
D	DISCHARGE LOCATION
C	CONDENSATE DRAIN LOCATION
T	TANK DRAIN LOCATION



Revised:	Date:	Drawn:	Date:
		MDB	9/16/2010
		This drawing and the information contained therein remain the property of BeaconMedes and may not be used for other than the purpose for which it is loaned without the expressed written permission from BeaconMedes Engineering.	
Description: <b>GENERAL ASSEMBLY 15HP OX LUBE VAC SPC 240G RECEIVER</b>		Part Number: <b>4107 8522 62</b>	Scale: <b>1/15</b>
DN: <b>HOP100497</b>		Rev: <b>00</b>	<b>D</b>
Sheet 1 of 1		DO NOT SCALE THIS DOCUMENT	