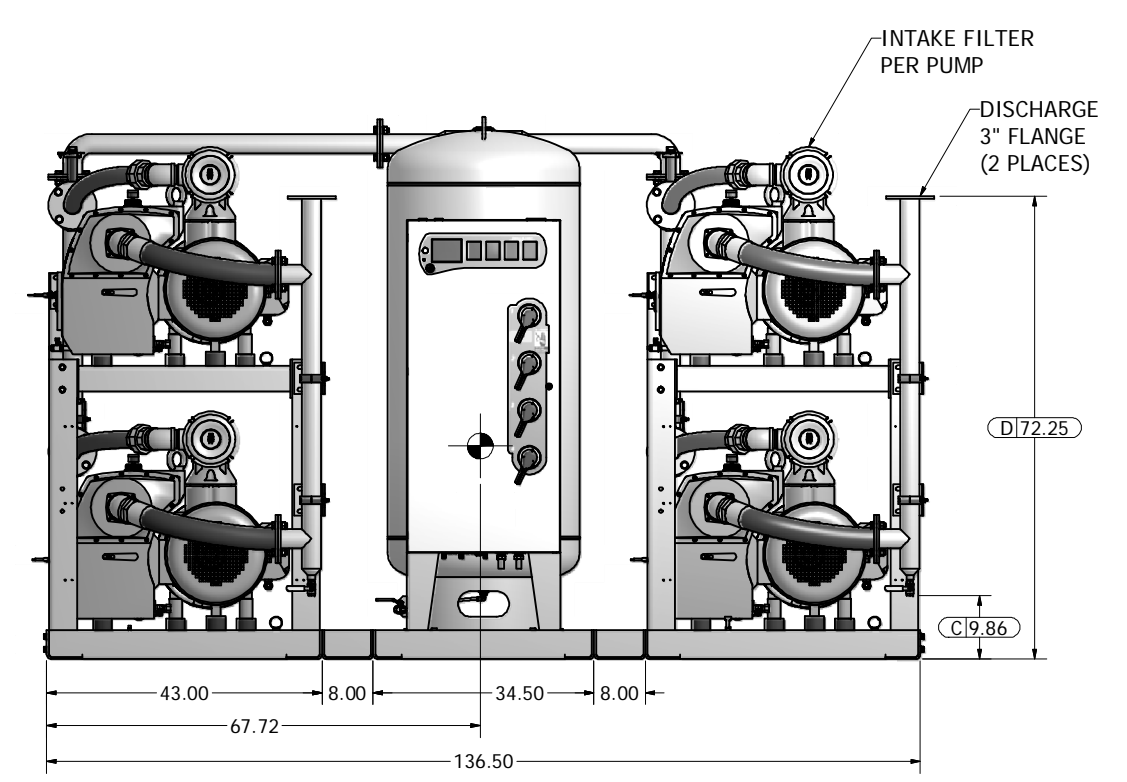
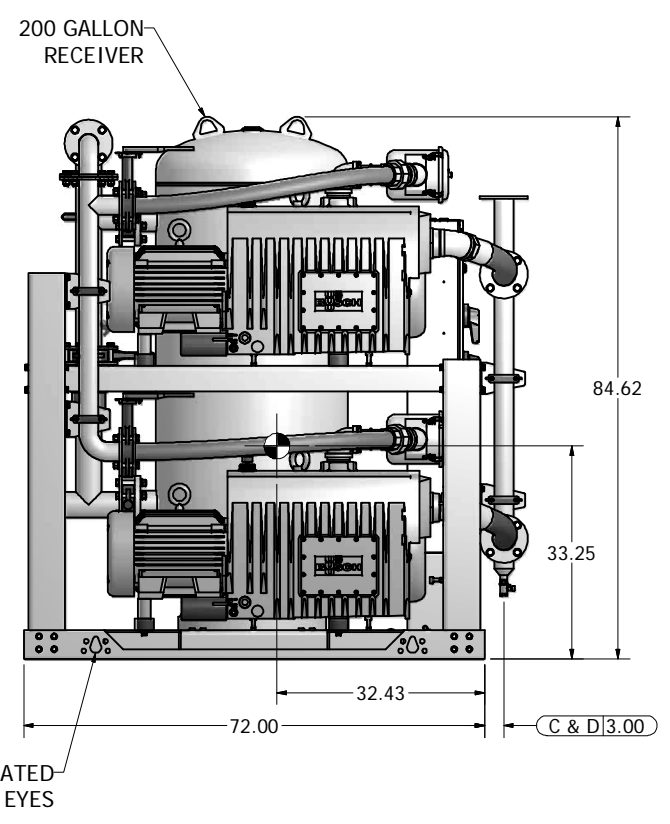
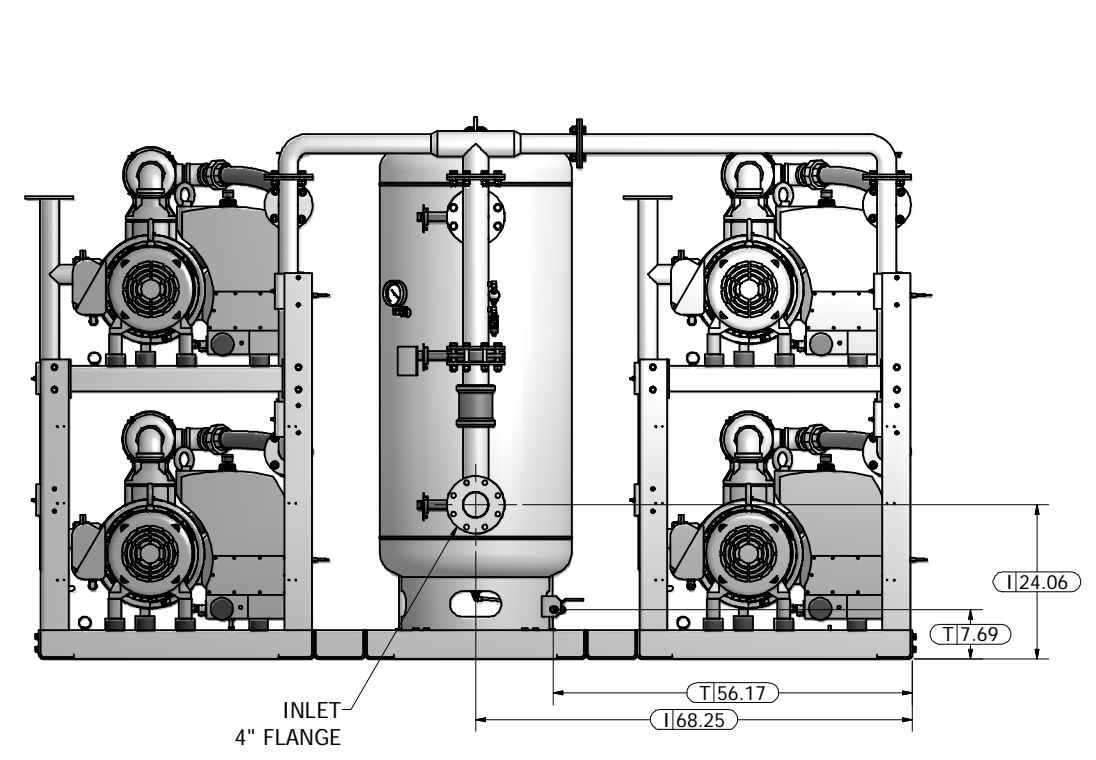
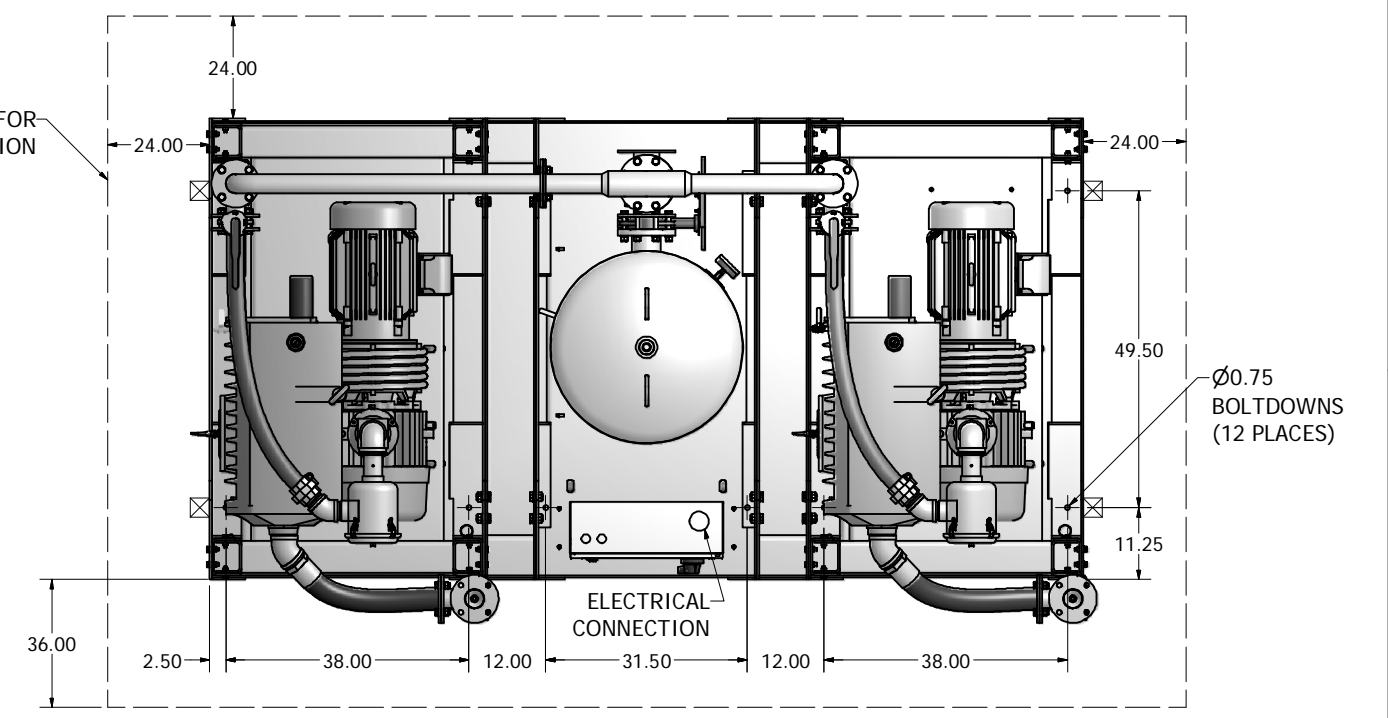


- Notes:
1. SYSTEM WEIGHT: 8,565 LBS.
  2. ☒ INDICATES LIFTING POINT.
  3. ● DENOTES CENTER OF GRAVITY.

| SYSTEM CONNECTIONS |                           |
|--------------------|---------------------------|
| ID                 | DESCRIPTION               |
| I                  | INLET LOCATION            |
| D                  | DISCHARGE LOCATION        |
| C                  | CONDENSATE DRAIN LOCATION |
| T                  | TANK DRAIN LOCATION       |



|   |        |  |           |
|---|--------|--|-----------|
| Revised:  | Date:  | Drawn:   | Date:     |
|   |        | MDB  | 9/16/2010 |
|   |        | This drawing and the information contained therein remain the property of BeaconMedes and may not be used for other than the purpose for which it is loaned without the expressed written permission from BeaconMedes Engineering. |           |
| Description:  |        | Part Number:   |           |
| GENERAL ASSEMBLY 15HP OX LUBE VAC SPC 200G RECEIVER |        | 4107 8522 61   |           |
| DN:   | Rev:   | Scale: 1/15  |           |
| 1   | 00     | D  |           |
| Sheet   | 1 of 1 | DO NOT SCALE THIS DOCUMENT   |           |