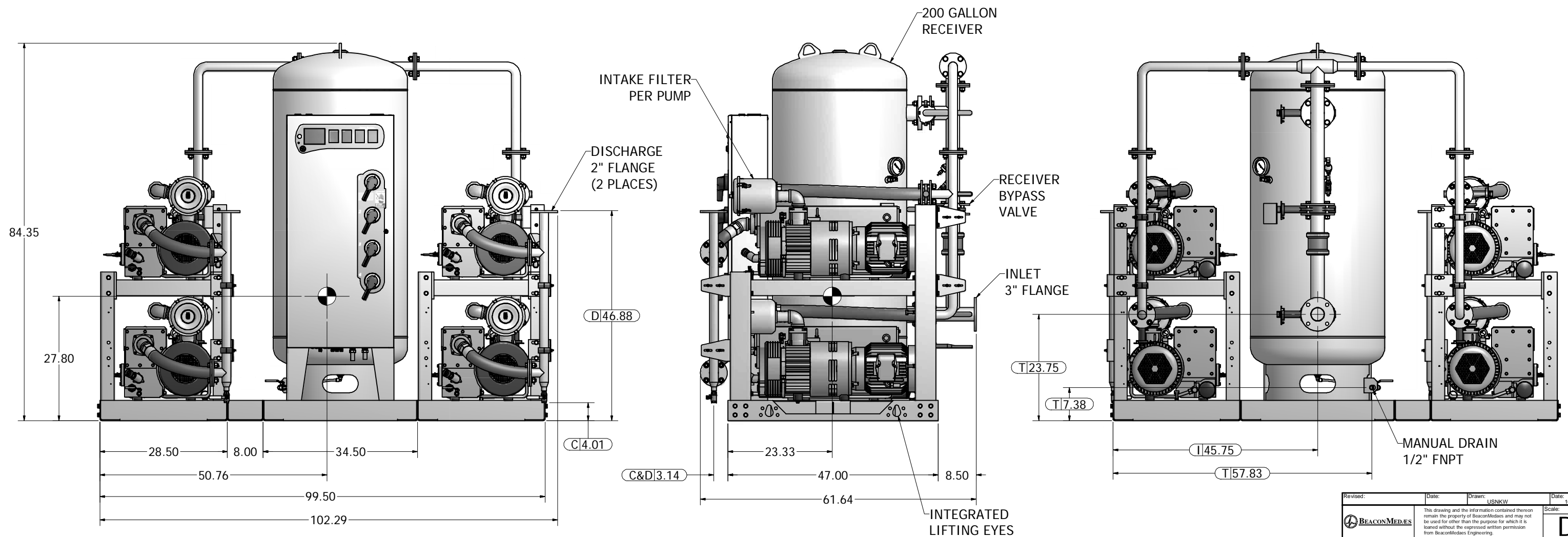
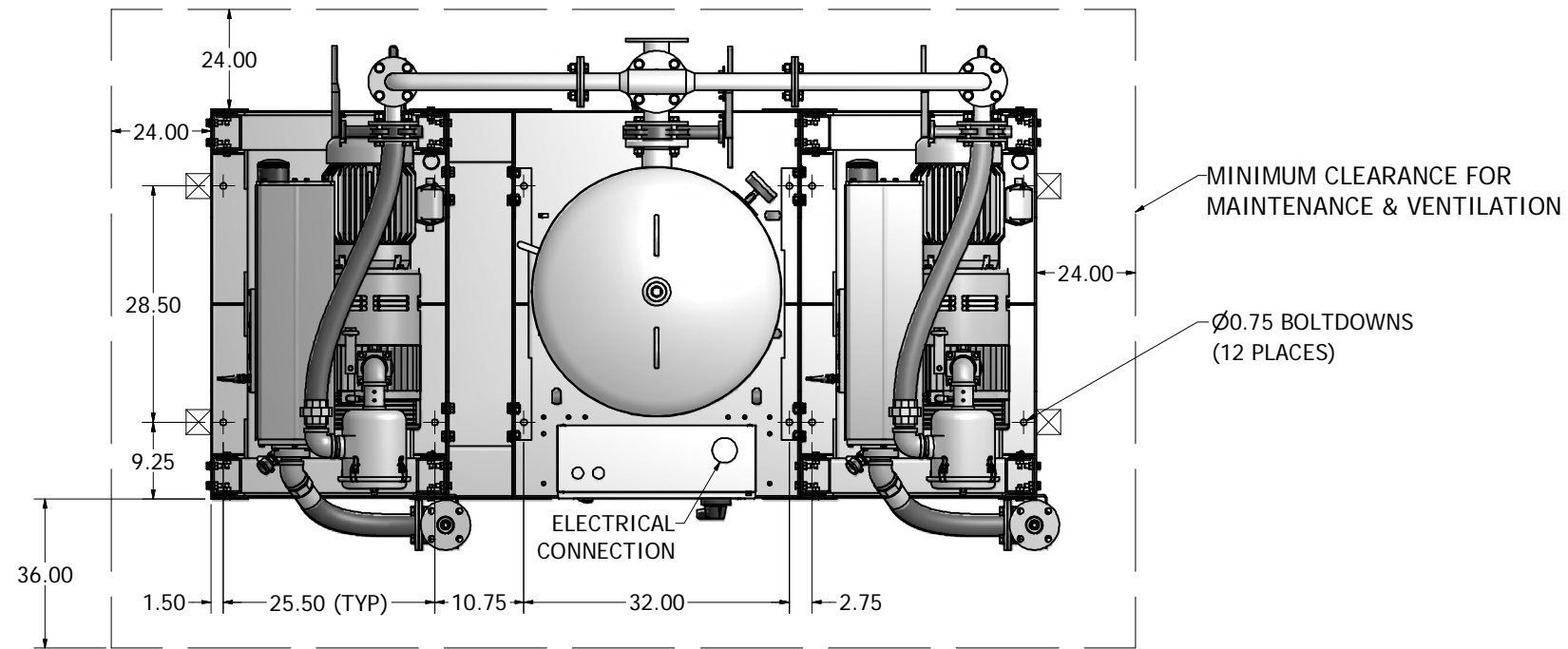


Notes:

1. SYSTEM WEIGHT: 3,621 LBS.
2. ☒ INDICATES LIFTING POINT.
3. ● DENOTES CENTER OF GRAVITY.

SYSTEM CONNECTIONS	
ID	DESCRIPTION
I	INLET LOCATION
D	DISCHARGE LOCATION
C	CONDENSATE DRAIN LOCATION
T	TANK DRAIN LOCATION



Revised:	Date:	Drawn:	Date:
		USNKW	10/18/2010
		This drawing and the information contained therein remain the property of BeaconMedes and may not be used for other than the purpose for which it is loaned without the expressed written permission from BeaconMedes Engineering.	
Description:		Part Number:	
GENERAL ASSEMBLY 7.5HP OX LUBE VAC SPC 200G RECEIVER		4107 8522 57	
DN:	HOP100652	Rev:	00
Sheet	1 of 1	DO NOT SCALE THIS DOCUMENT	