

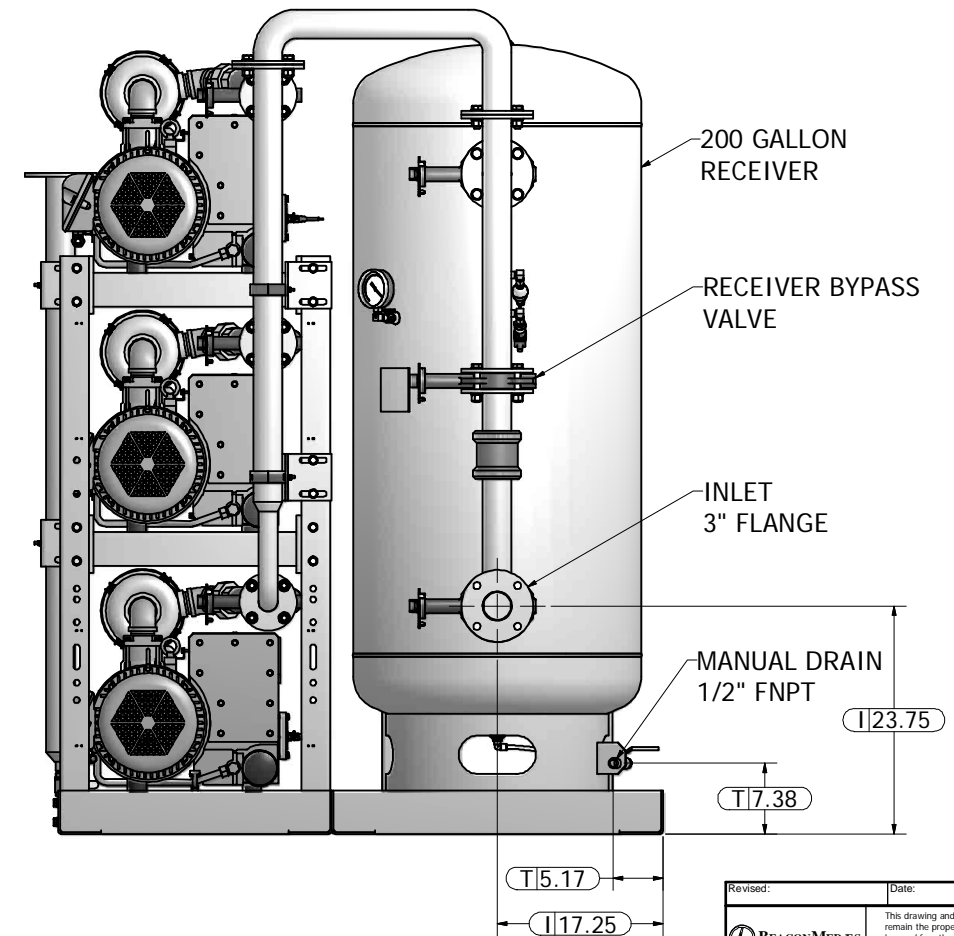
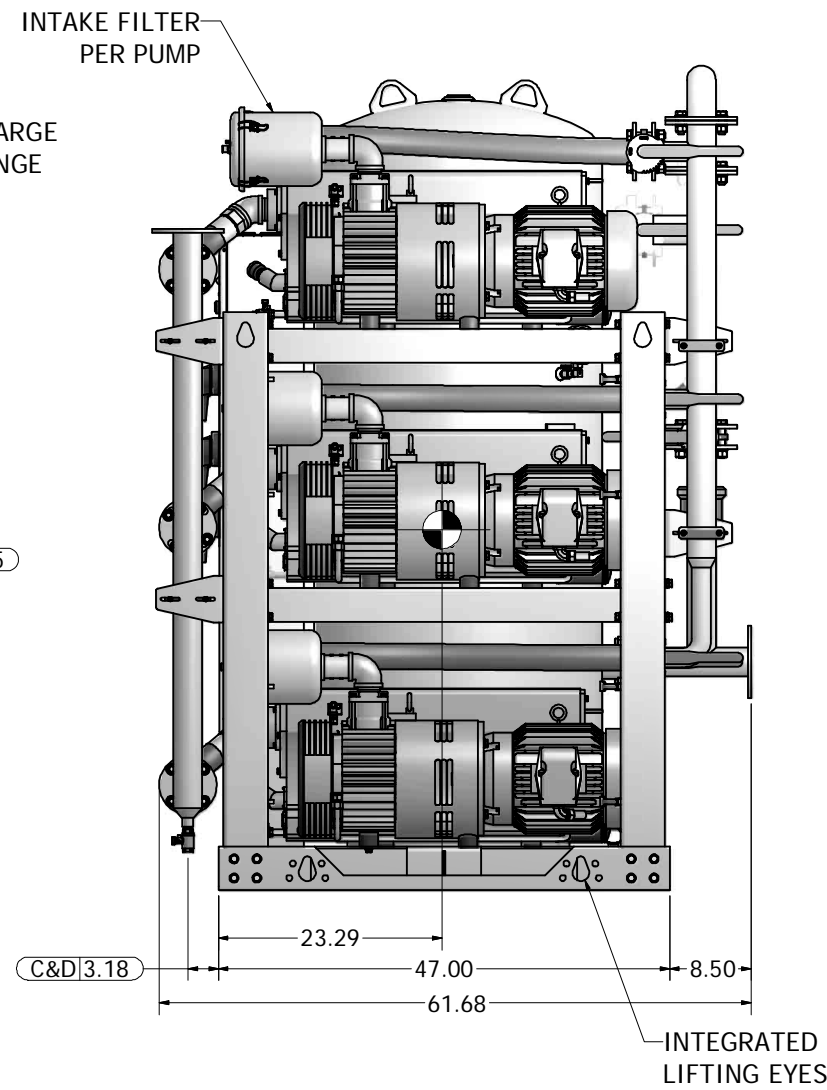
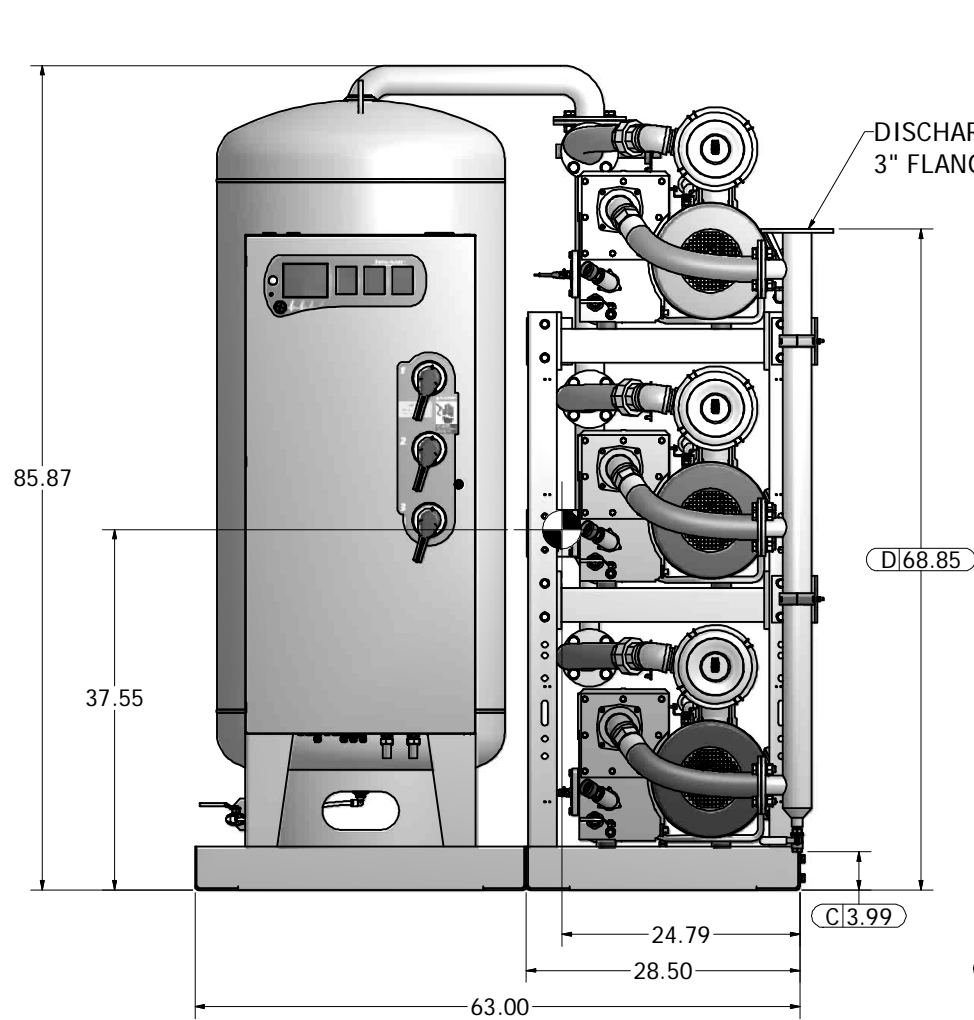
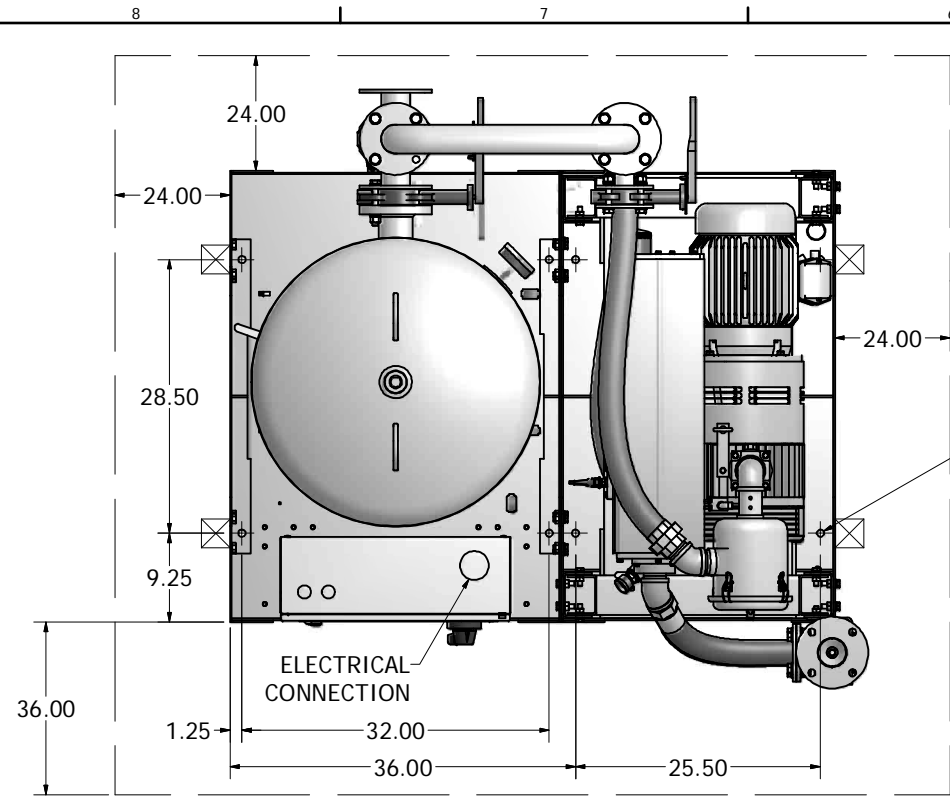



Notes:

1. SYSTEM WEIGHT: 2,879 LBS.
2.  INDICATES LIFTING POINT.
3.  DENOTES CENTER OF GRAVITY.

SYSTEM CONNECTIONS	
ID	DESCRIPTION
I	INLET LOCATION
D	DISCHARGE LOCATION
C	CONDENSATE DRAIN LOCATION
T	TANK DRAIN LOCATION



Revised:	Date:	Drawn: USNKW	Date: 10/15/2010
		This drawing and the information contained therein remain the property of BeaconMedes and may not be used for other than the purpose for which it is loaned without the expressed written permission from BeaconMedes Engineering.	
Description: GENERAL ASSEMBLY 7.5HP TX LUBE VAC SPC 200G VERT RECEIVER		Part Number: 4107 8522 45 DN: HOP100652 Rev: 00 Sheet 1 of 1 DO NOT SCALE THIS DOCUMENT	
Scale: NTS		D	