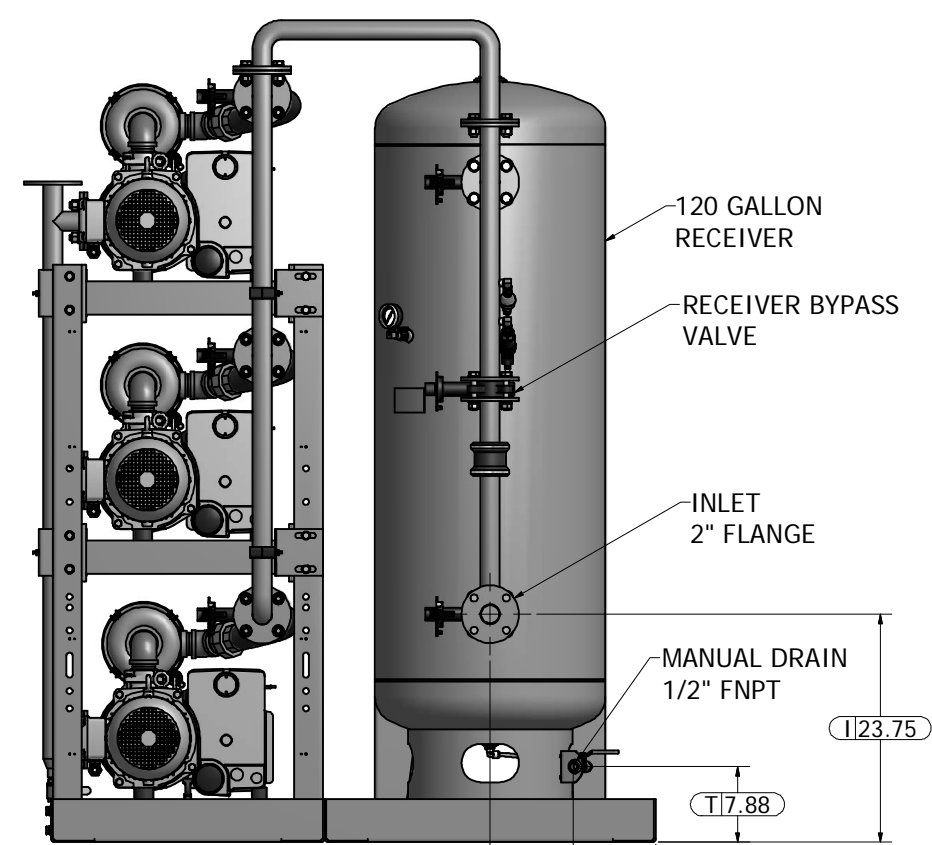
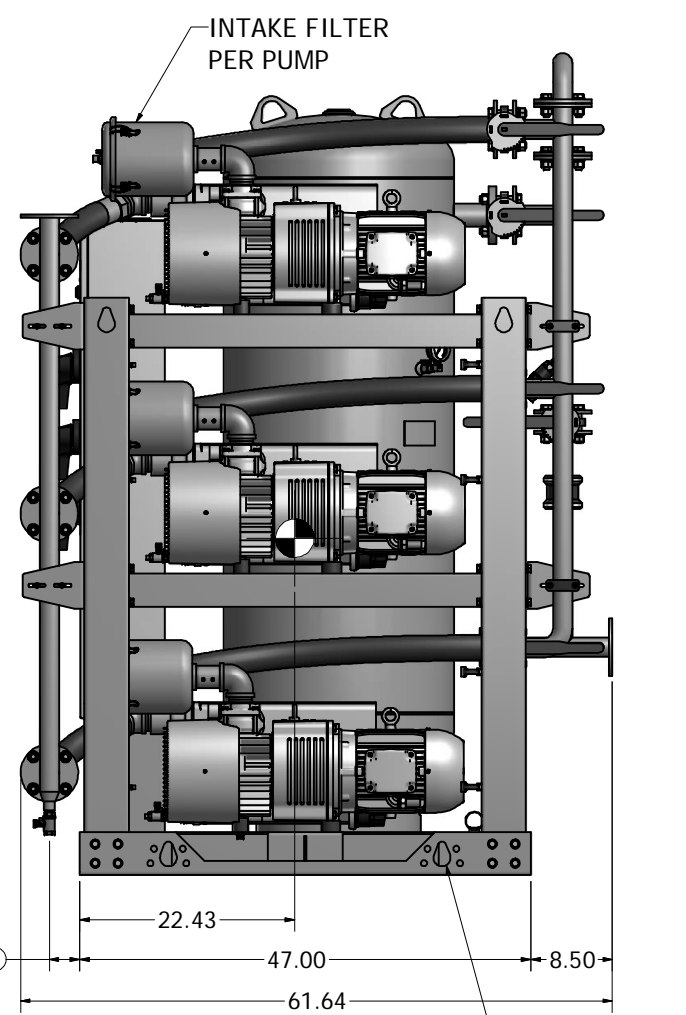
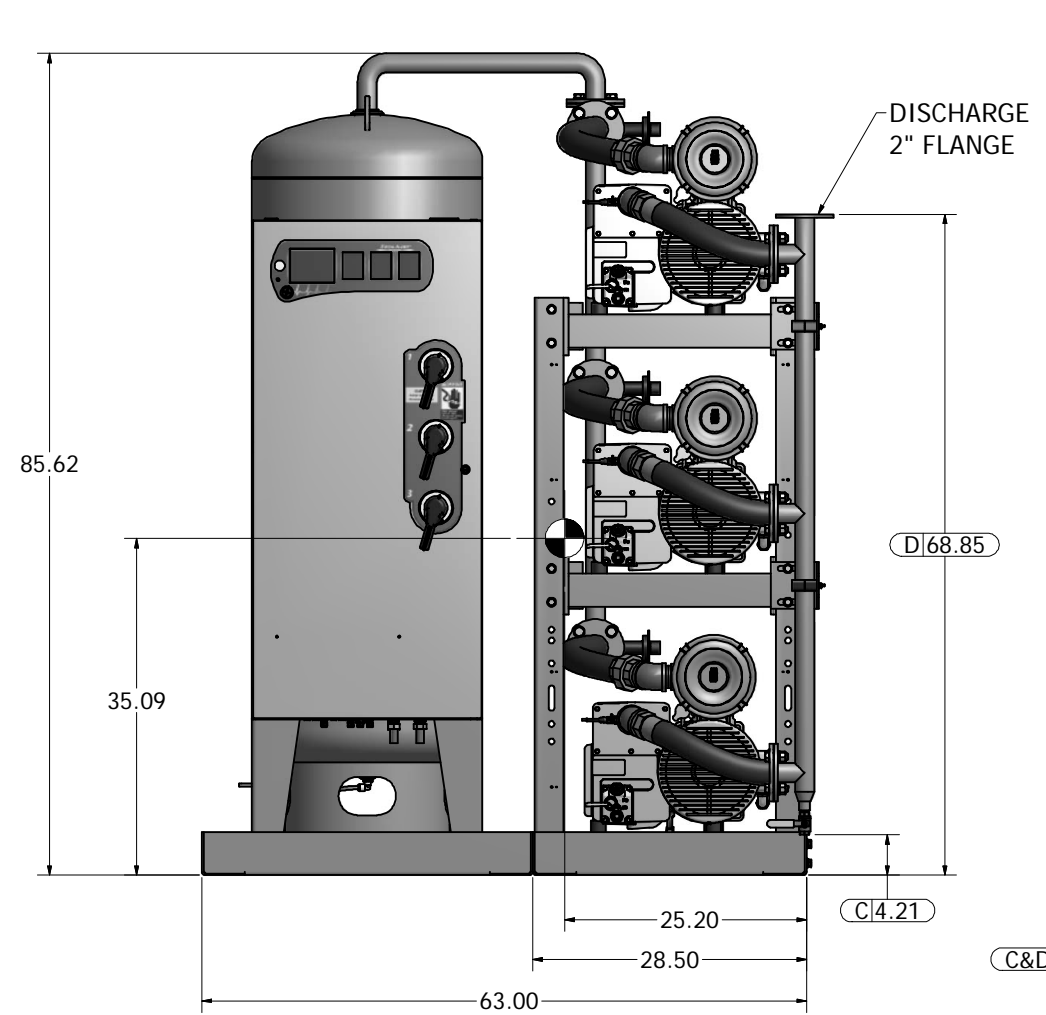


- Notes:
1. SYSTEM WEIGHT: 2,124 LBS.
 2. ☒ INDICATES LIFTING POINT.
 3. ● DENOTES CENTER OF GRAVITY.

SYSTEM CONNECTIONS	
ID	DESCRIPTION
I	INLET LOCATION
D	DISCHARGE LOCATION
C	CONDENSATE DRAIN LOCATION
T	TANK DRAIN LOCATION



Revised: GTM	Date: 7/14/2015	Drawn: USNKG	Date: 10/13/2010
		This drawing and the information contained therein remain the property of BeaconMedes and may not be used for other than the purpose for which it is loaned without the expressed written permission from BeaconMedes Engineering.	
Description: GENERAL ASSEMBLY 5HP TX LUBE VAC SPC 120G VERT RECEIVER		Part Number: 4107 8522 42 DN: HOP150676 Rev: 01	
Sheet 1 of 1		Scale: NTS DO NOT SCALE THIS DOCUMENT	