



Notes:

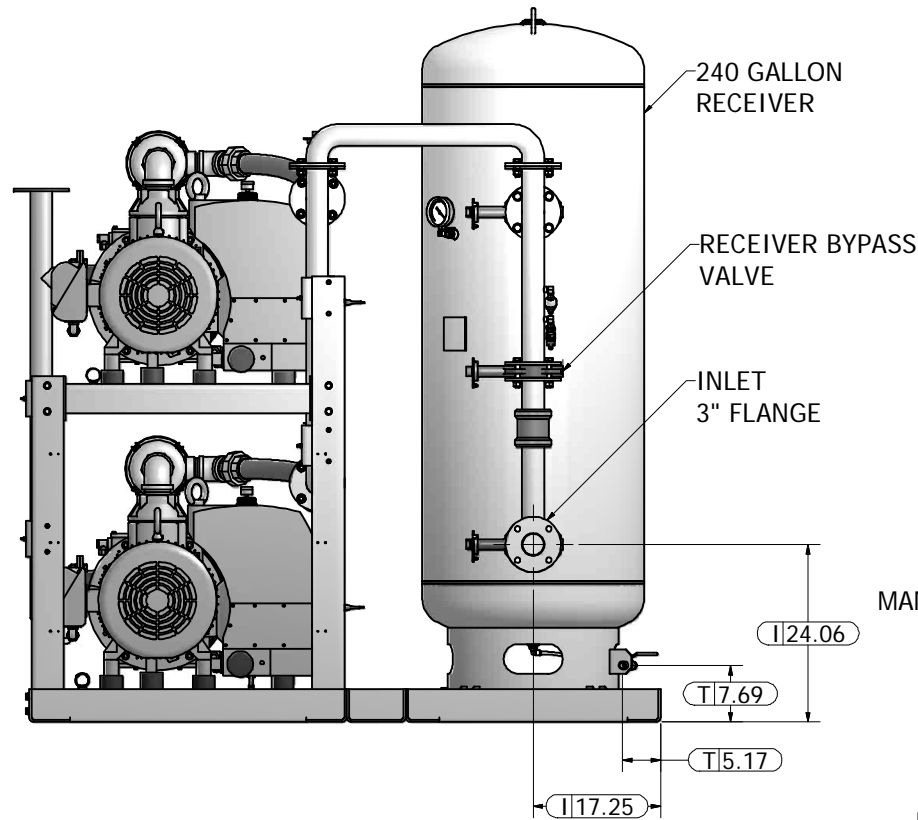
1. SYSTEM WEIGHT: 5,632 LBS.
2.  INDICATES LIFTING POINT.
3.  DENOTES CENTER OF GRAVITY.

SYSTEM CONNECTIONS	
ID	DESCRIPTION
I	INLET LOCATION
D	DISCHARGE LOCATION
C	CONDENSATE DRAIN LOCATION
T	TANK DRAIN LOCATION

MINIMUM CLEARANCE FOR MAINTENANCE & VENTILATION

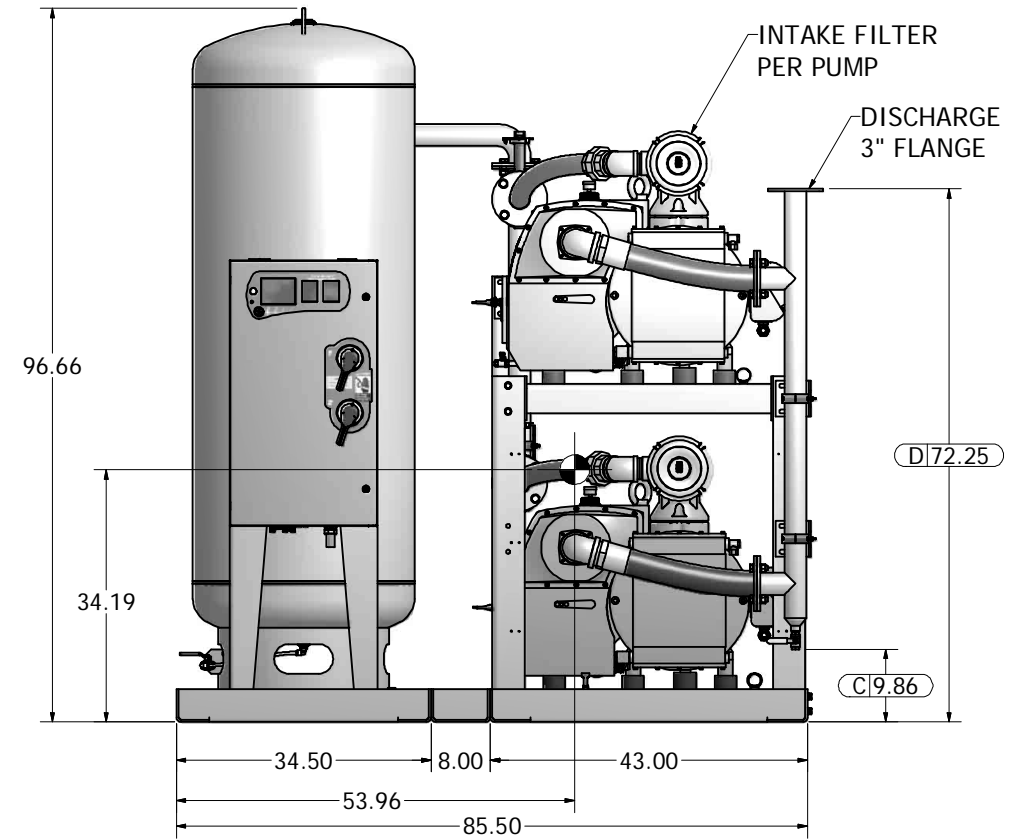
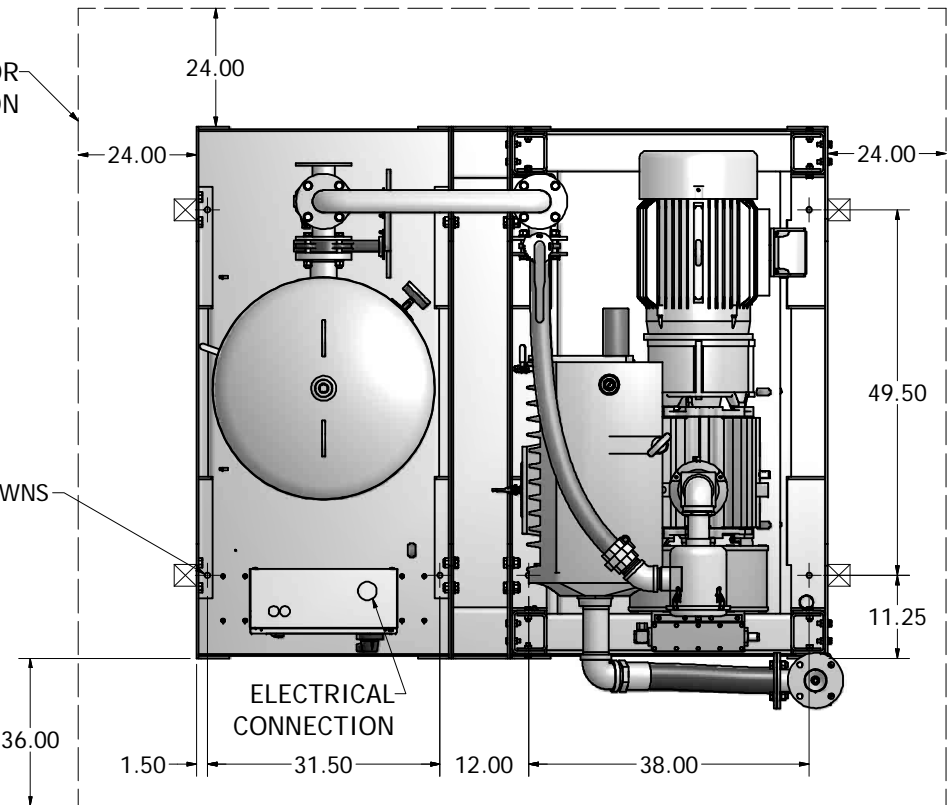
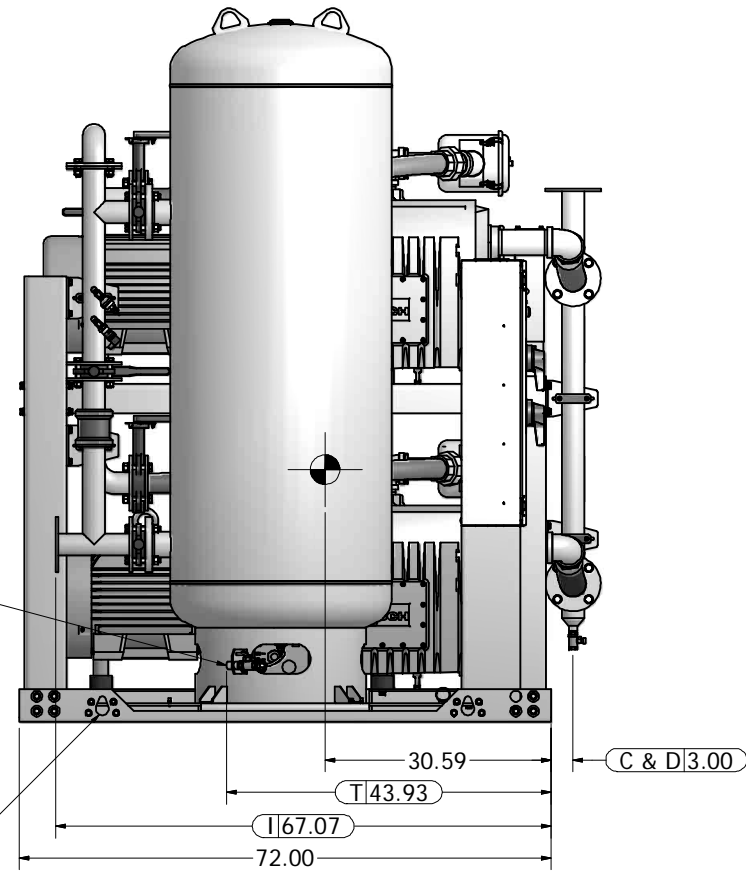
Ø0.75 BOLTDOWNS (8 PLACES)

ELECTRICAL CONNECTION




MANUAL DRAIN 1/2" NPT

INTEGRATED LIFTING EYES



460V PANEL SHOWN

Revised:	Date:	Drawn: MDB	Date: 9/10/2010
		This drawing and the information contained therein remain the property of BeaconMedes and may not be used for other than the purpose for which it is loaned without the expressed written permission from BeaconMedes Engineering.	
Description:		Part Number: 4107 8522 41	
GENERAL ASSEMBLY 25HP DX LUBE VAC SPC 240G RECEIVER		DN: HOP100497	Rev: 00
Sheet 1 of 1		DO NOT SCALE THIS DOCUMENT	