

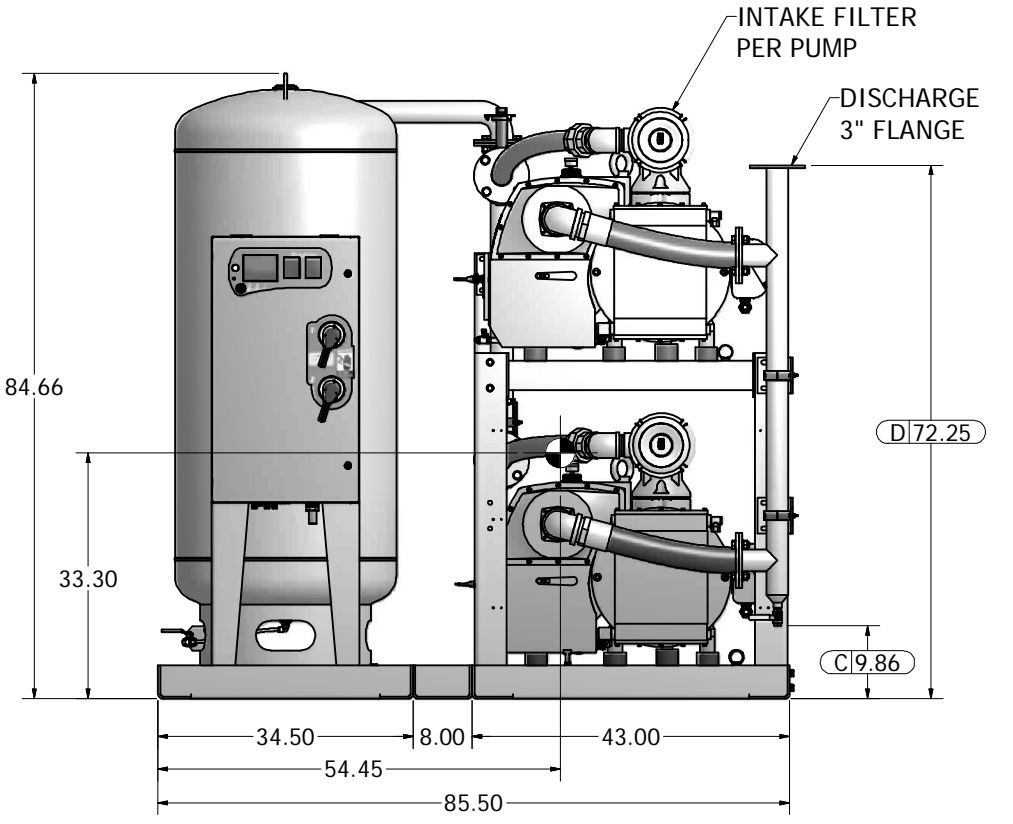
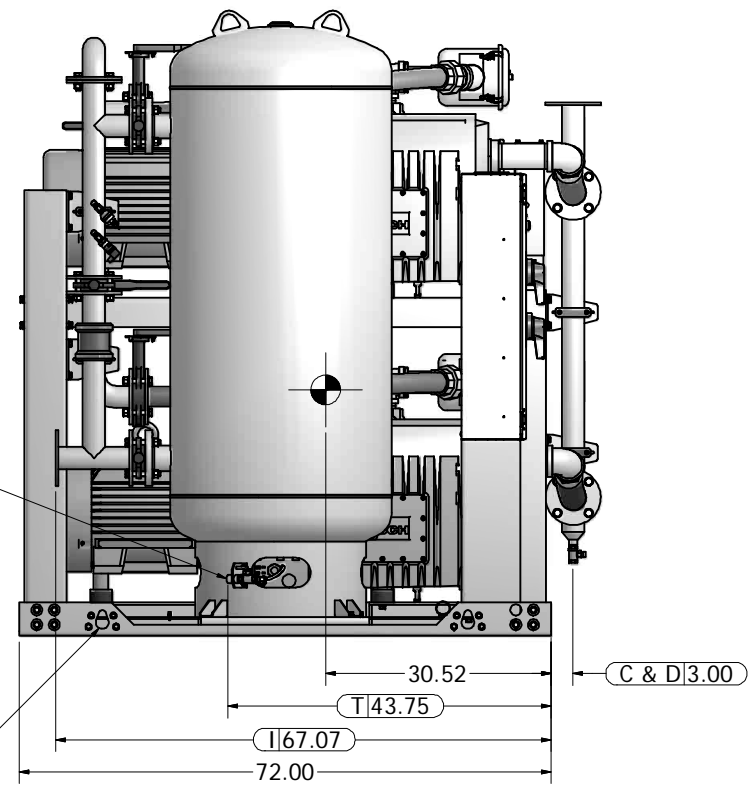
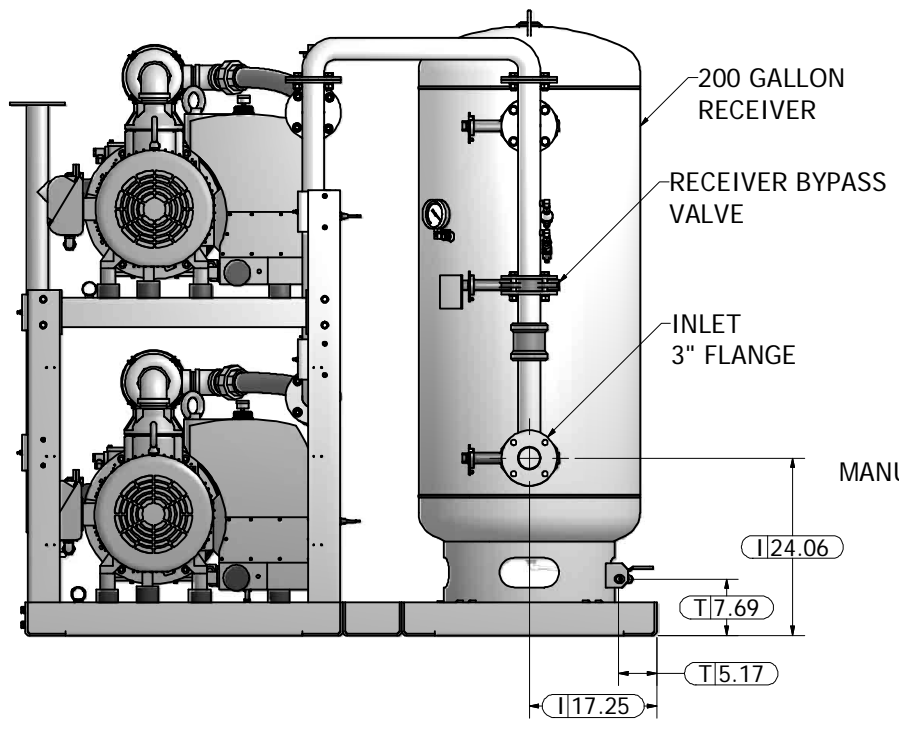
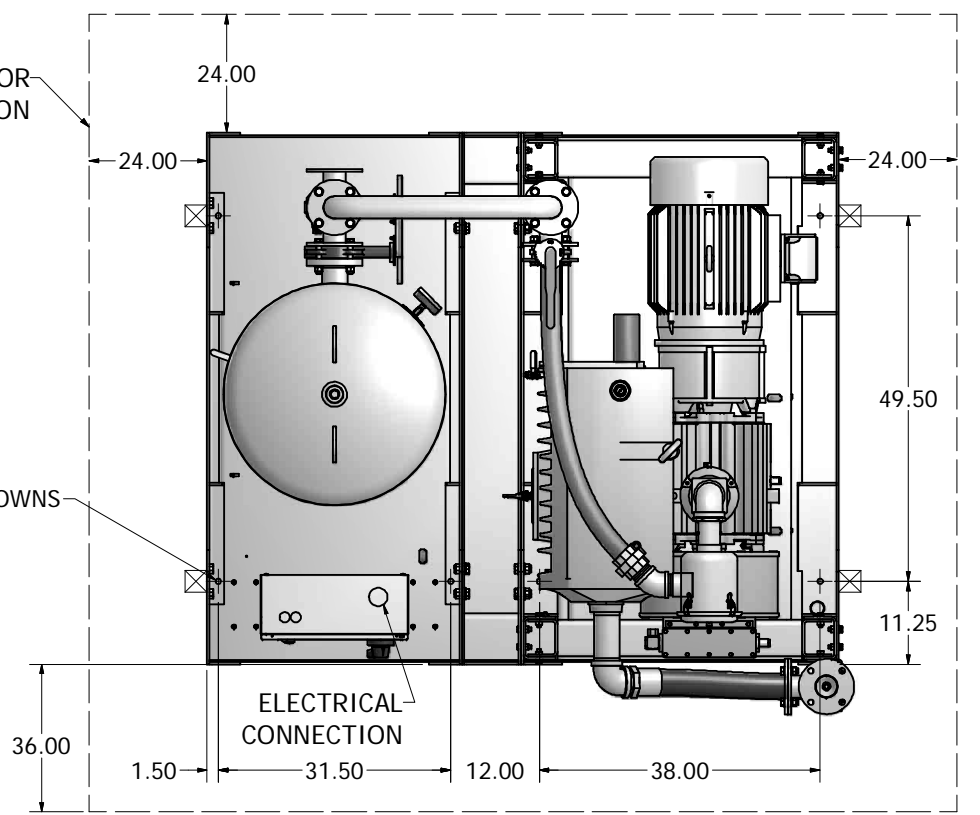


Notes:


1. SYSTEM WEIGHT: 5,558 LBS.
2.  INDICATES LIFTING POINT.
3.  DENOTES CENTER OF GRAVITY.

SYSTEM CONNECTIONS	
ID	DESCRIPTION
I	INLET LOCATION
D	DISCHARGE LOCATION
C	CONDENSATE DRAIN LOCATION
T	TANK DRAIN LOCATION

MINIMUM CLEARANCE FOR MAINTENANCE & VENTILATION



460V PANEL SHOWN

Revised:	Date:	Drawn:	Date:
		MDB	9/10/2010
		This drawing and the information contained therein remain the property of BeaconMedes and may not be used for other than the purpose for which it is loaned without the expressed written permission from BeaconMedes Engineering.	
Description:		Part Number:	
GENERAL ASSEMBLY 25HP DX LUBE VAC SPC 200G RECEIVER		4107 8522 40	
DN:	Rev:		
HOP100497	00		
Sheet 1 of 1	DO NOT SCALE THIS DOCUMENT		