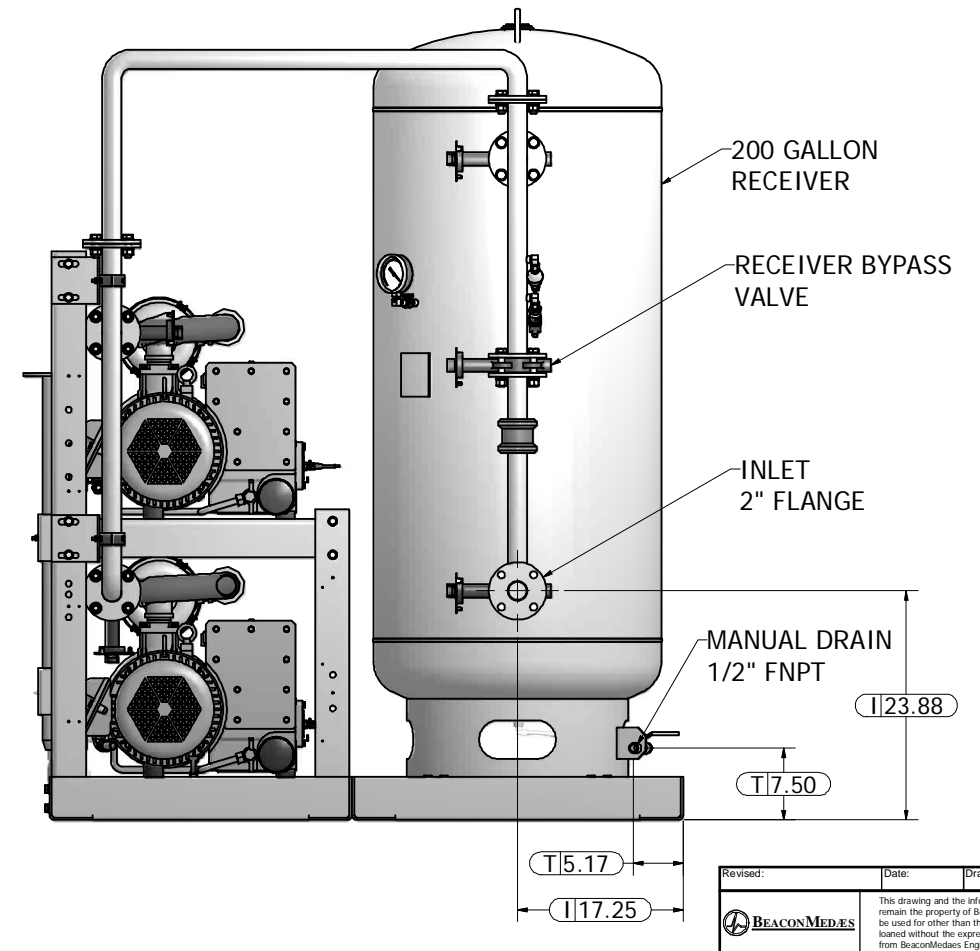
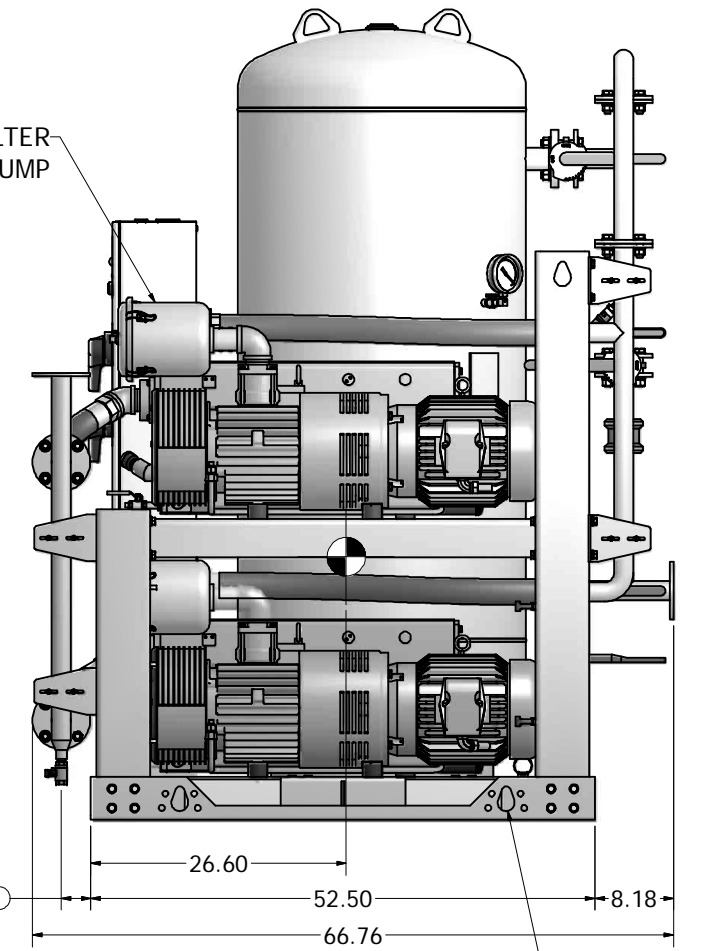
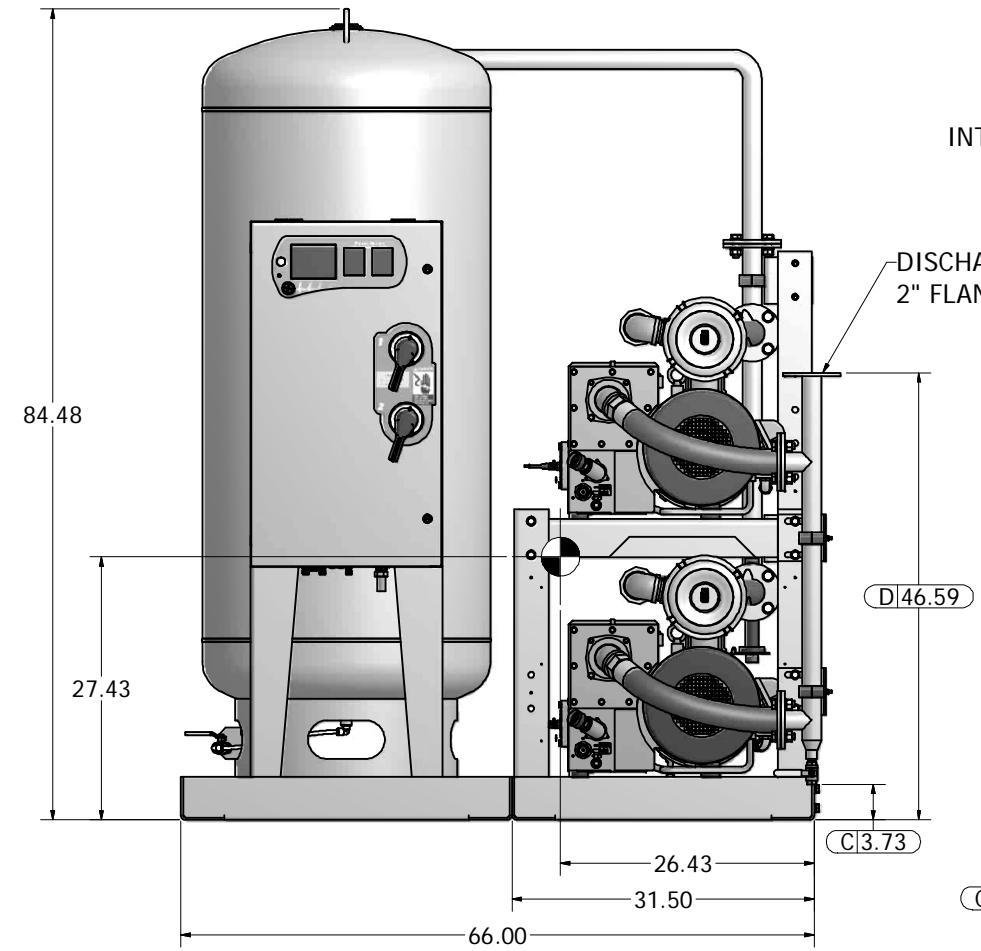


- Notes:
1. SYSTEM WEIGHT: 2,711 LBS.
 2. ☒ INDICATES LIFTING POINT.
 3. ● DENOTES CENTER OF GRAVITY.

SYSTEM CONNECTIONS	
ID	DESCRIPTION
I	INLET LOCATION
D	DISCHARGE LOCATION
C	CONDENSATE DRAIN LOCATION
T	TANK DRAIN LOCATION



Revised:	Date:	Drawn:	Date:
		USNKW	10/13/2010
		This drawing and the information contained therein remain the property of BeaconMedes and may not be used for other than the purpose for which it is loaned without the expressed written permission from BeaconMedes Engineering.	
Description: GENERAL ASSEMBLY 10HP DX LUBE VAC SPC 200G VERT RECEIVER		Part Number: 4107 8522 34 DN: HOP100652 Rev: 00	
Sheet 1 of 1		DO NOT SCALE THIS DOCUMENT	