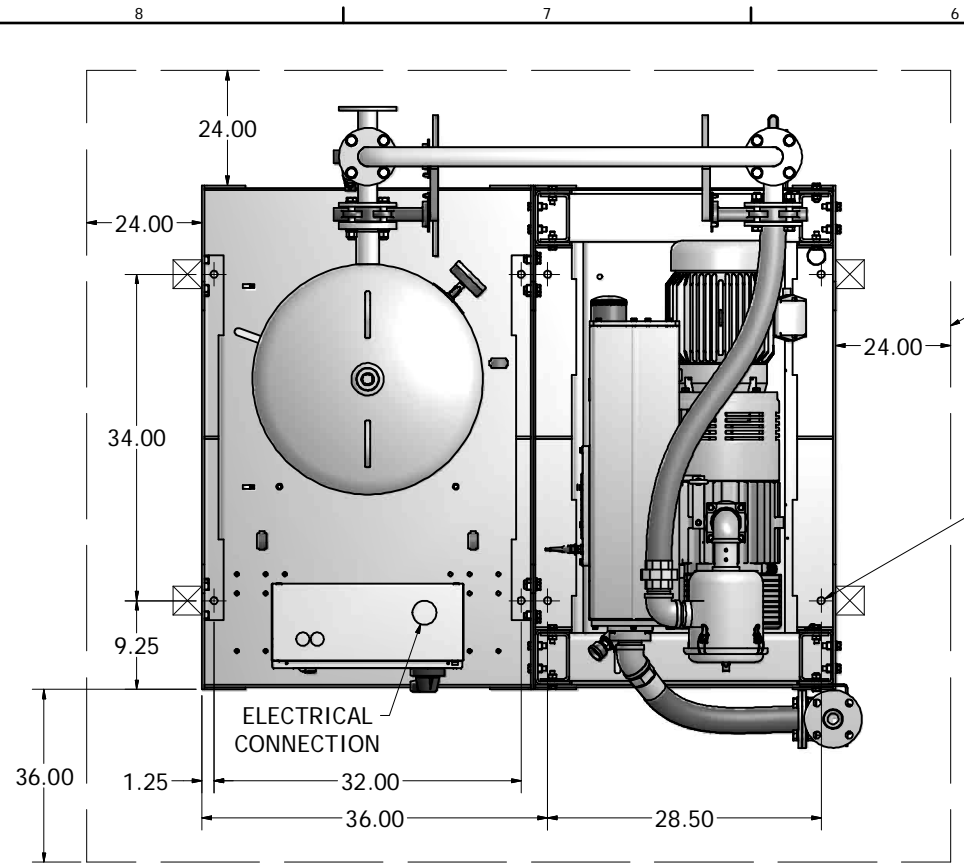


Notes:

1. SYSTEM WEIGHT: 2,486 LBS.
2. ☒ INDICATES LIFTING POINT.
3. ● DENOTES CENTER OF GRAVITY.

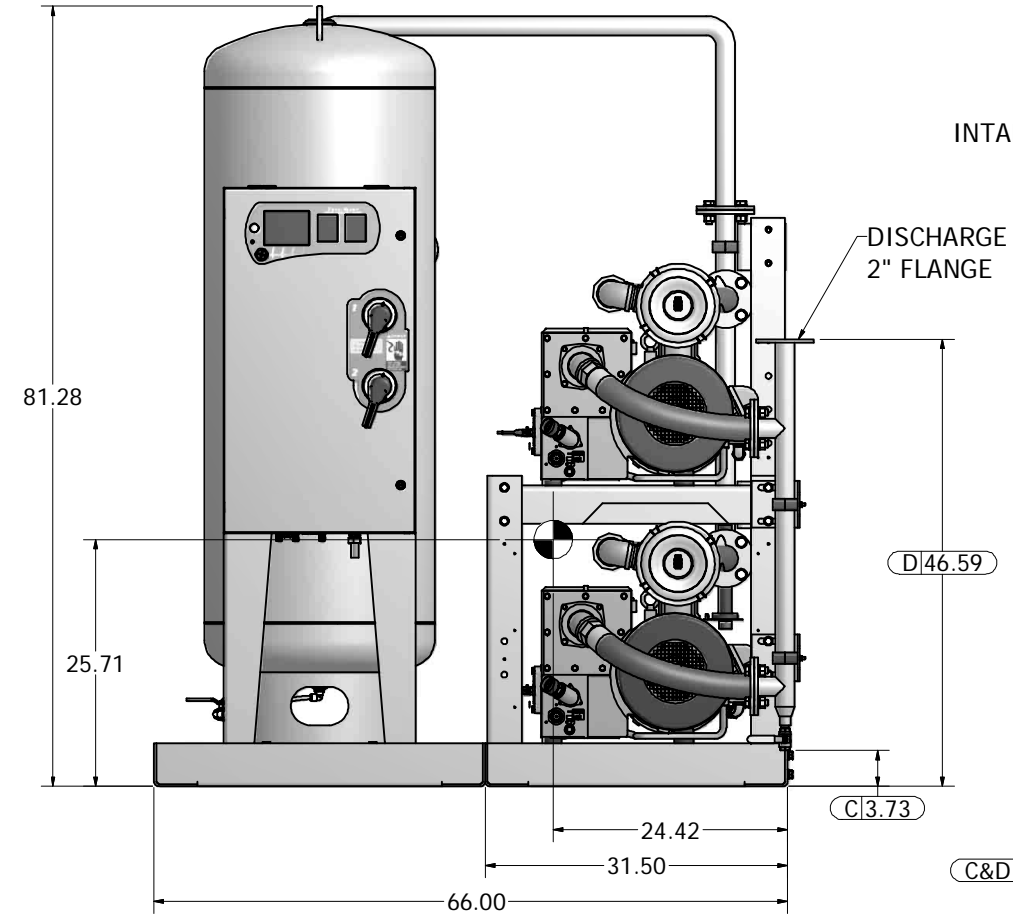
SYSTEM CONNECTIONS	
ID	DESCRIPTION
I	INLET LOCATION
D	DISCHARGE LOCATION
C	CONDENSATE DRAIN LOCATION
T	TANK DRAIN LOCATION



MINIMUM CLEARANCE FOR MAINTENANCE & VENTILATION

Ø0.75 BOLTDOWNS (8 PLACES)

ELECTRICAL CONNECTION



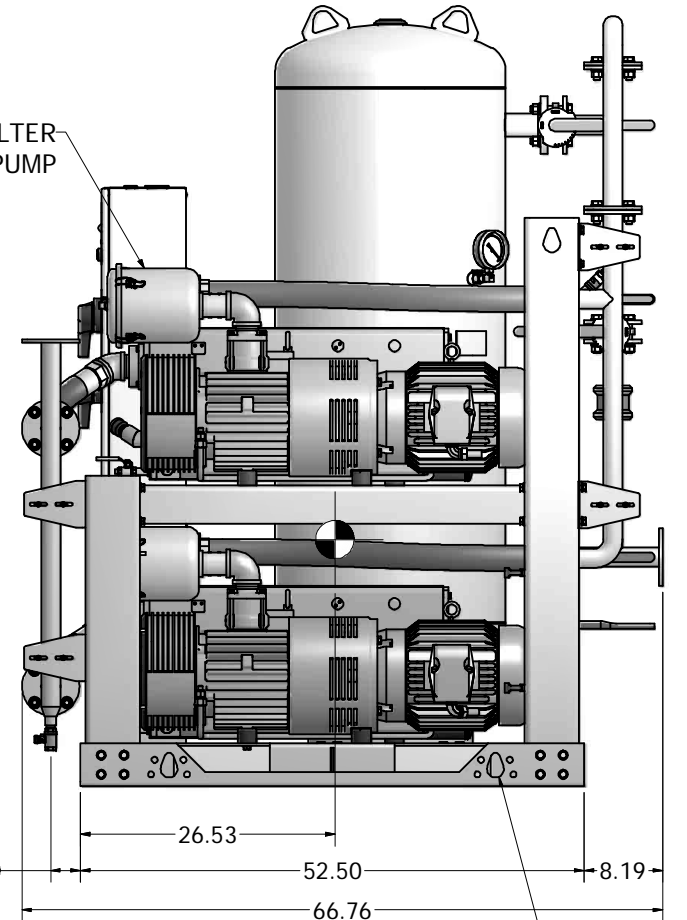
INTAKE FILTER PER PUMP

DISCHARGE 2" FLANGE

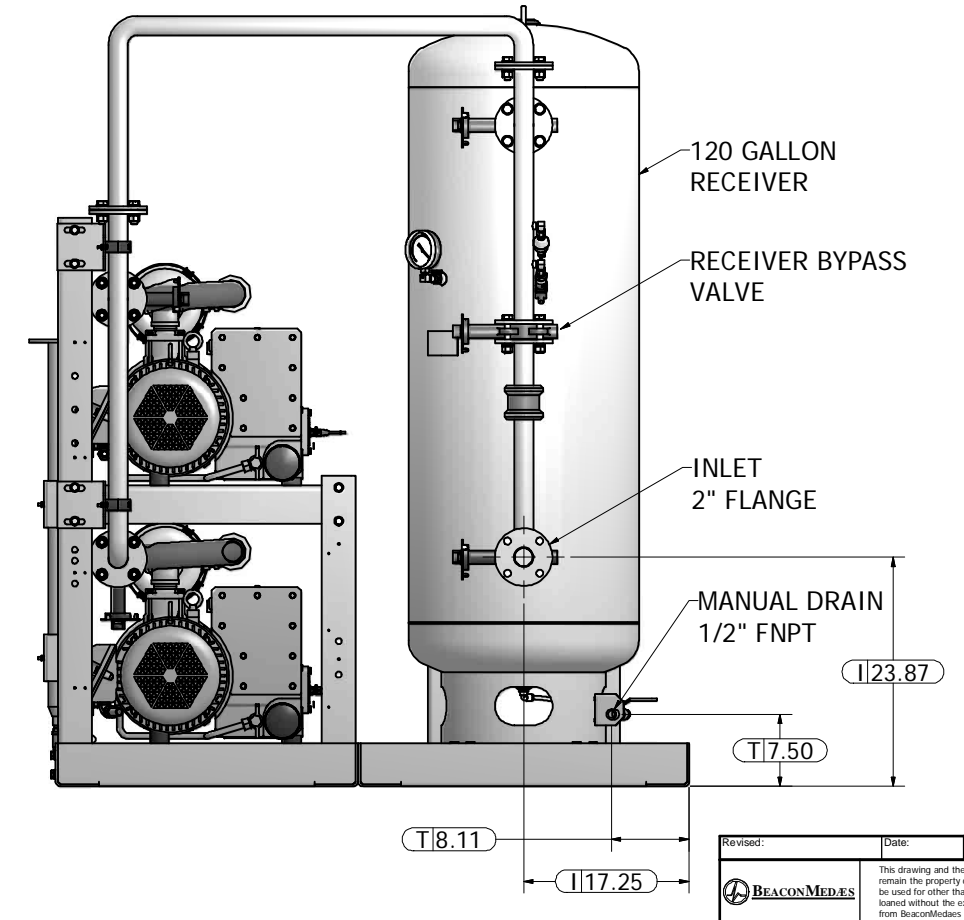
D|46.59

C|3.73

C&D|3.08



INTEGRATED LIFTING EYES



120 GALLON RECEIVER

RECEIVER BYPASS VALVE

INLET 2" FLANGE

MANUAL DRAIN 1/2" FNPT

T|8.11

I|17.25

I|23.87

T|7.50

Revised:	Date:	Drawn: USNKW	Date: 10/12/2010
		This drawing and the information contained therein remain the property of BeaconMedes and may not be used for other than the purpose for which it is loaned without the expressed written permission from BeaconMedes Engineering.	
Description: GENERAL ASSEMBLY 10HP DX LUBE VAC SPC 120G VERT RECEIVER		Part Number: 4107 8522 33 DN: HOP100652 Rev: 00 Sheet 1 of 1 DO NOT SCALE THIS DOCUMENT	
		D	