

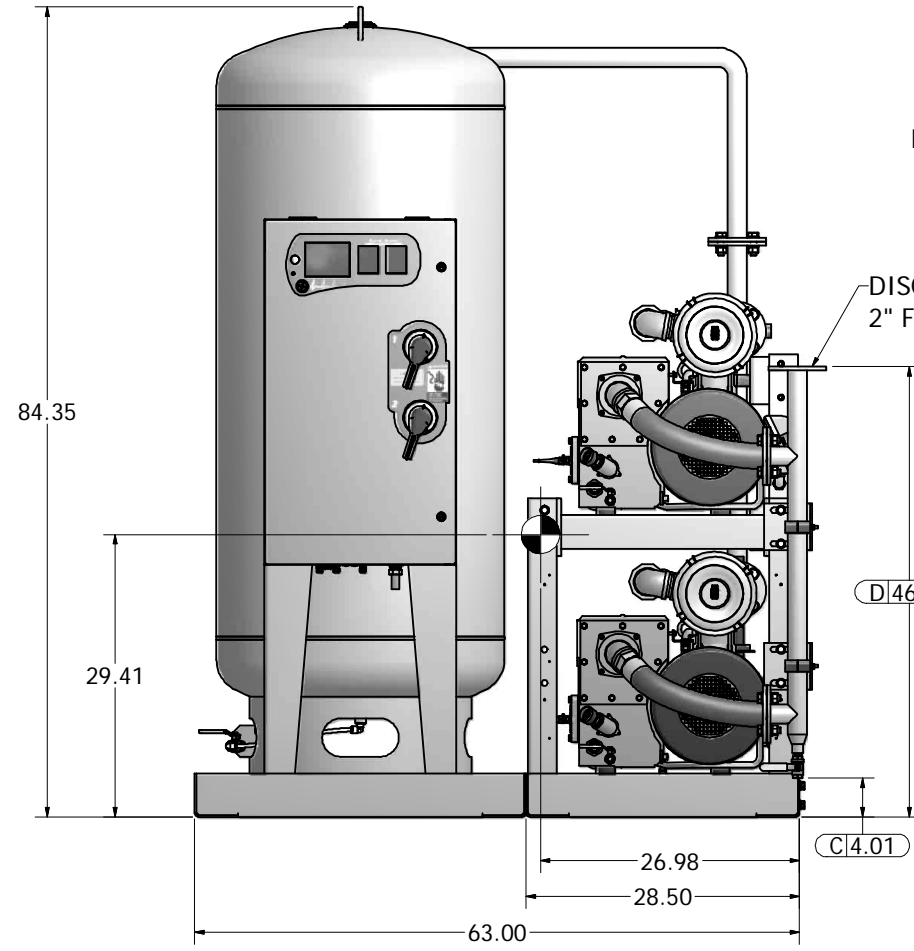
MINIMUM CLEARANCE FOR MAINTENANCE & VENTILATION

Ø0.75 BOLTDOWNS (8 PLACES)

ELECTRICAL CONNECTION

- Notes:
1. SYSTEM WEIGHT: 2,197 LBS.
  2. INDICATES LIFTING POINT.
  3. DENOTES CENTER OF GRAVITY.

SYSTEM CONNECTIONS	
ID	DESCRIPTION
I	INLET LOCATION
D	DISCHARGE LOCATION
C	CONDENSATE DRAIN LOCATION
T	TANK DRAIN LOCATION

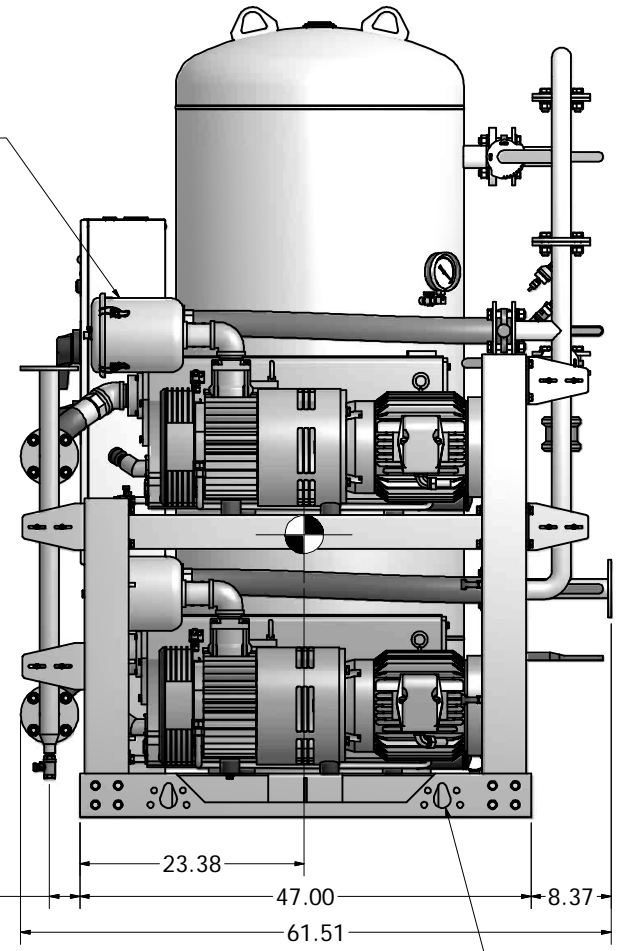


INTAKE FILTER PER PUMP

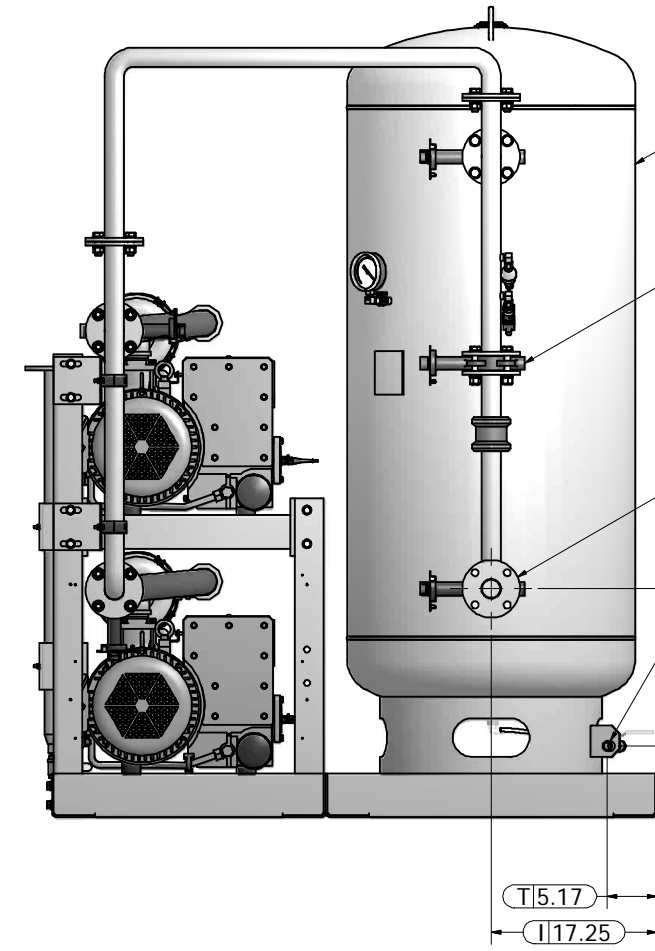
DISCHARGE 2" FLANGE

D46.88

C&D3.14



INTEGRATED LIFTING EYES



200 GALLON RECEIVER

RECEIVER BYPASS VALVE

INLET 2" FLANGE

MANUAL DRAIN 1/2" FNPT

T7.38

I17.25

T5.17

Revised:	Date:	Drawn: USNKW	Date: 10/12/2010
		This drawing and the information contained therein remain the property of BeaconMedes and may not be used for other than the purpose for which it is loaned without the expressed written permission from BeaconMedes Engineering.	
Description: GENERAL ASSEMBLY 7.5HP DX LUBE VAC SPC 200G VERT RECEIVER		Part Number: 4107 8522 31 Rev: 00 HOP100652 Sheet 1 of 1	
Scale: 1/10 <b>D</b>		DO NOT SCALE THIS DOCUMENT	