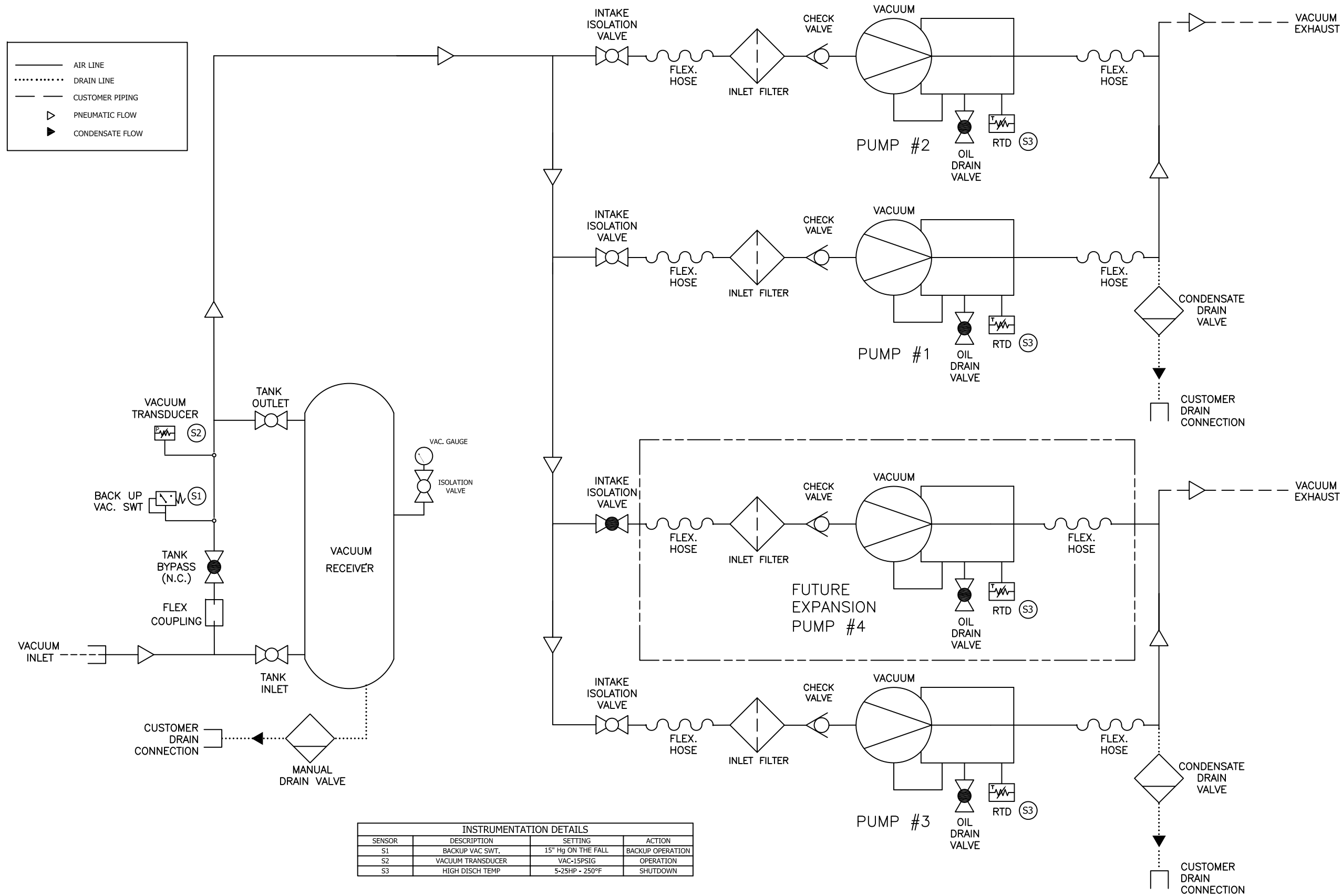
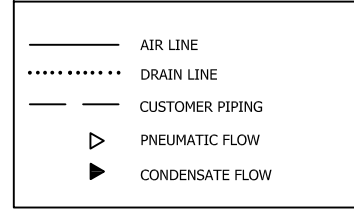


This drawing and the information contained therein remain the property of BeaconMedics and may not be used for other than the purpose for which it is loaned without the expressed written permission from BeaconMedics Engineering.



INSTRUMENTATION DETAILS			
SENSOR	DESCRIPTION	SETTING	ACTION
S1	BACKUP VAC. SWT.	15" Hg ON THE FALL	BACKUP OPERATION
S2	VACUUM TRANSDUCER	VAC-15PSIG	OPERATION
S3	HIGH DISCH TEMP	5-25HP - 250°F	SHUTDOWN

Revised:	Date:	Drawn: MJB	Date: 10/21/10
		This drawing and the information contained herein remain the property of BeaconMedics and may not be used for other than the purpose for which it is loaned without the expressed written permission from BeaconMedics Engineering.	
Description: PNEUMATIC DIAGRAM TX-EXP-QX		Part Number: 4107 8523 46	
5-25HP LUBE VAC SPC		Scale: NTS	
Sheet 1 of 1		Rev: 00 HOP100688 DO NOT SCALE THIS DOCUMENT	