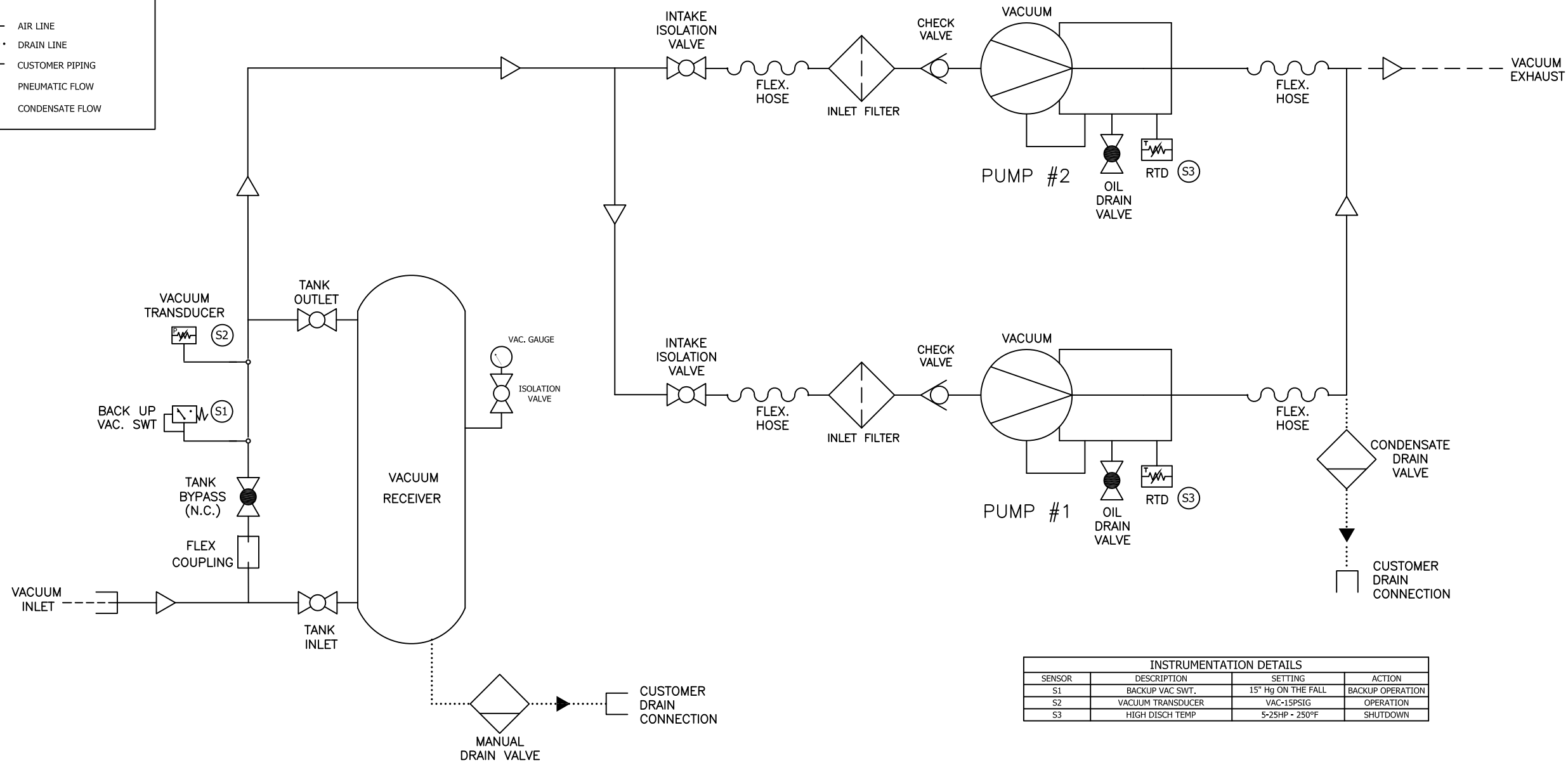
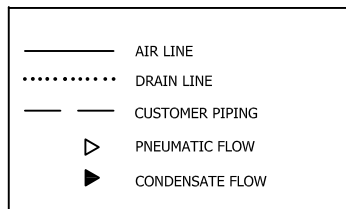


This drawing and the information contained thereon remain the property of BeaconMedes and may not be used for other than the purpose for which it is loaned without the expressed written permission from BeaconMedes Engineering.



INSTRUMENTATION DETAILS			
SENSOR	DESCRIPTION	SETTING	ACTION
S1	BACKUP VAC SWT.	15" Hg ON THE FALL	BACKUP OPERATION
S2	VACUUM TRANSDUCER	VAC-15PSIG	OPERATION
S3	HIGH DISCH TEMP	5-25HP - 250°F	SHUTDOWN

Revised:	Date:	Drawn: MJB	Date: 09/16/10
		This drawing and the information contained thereon remain the property of BeaconMedes and may not be used for other than the purpose for which it is loaned without the expressed written permission from BeaconMedes Engineering.	
Description:		Part Number:	Scale: NTS
PNEUMATIC DIAGRAM DX		4107 8523 40	D
5-25HP LUBE VAC SPC		DN: HOP100464	REV: 00
Sheet 1 of 1	DO NOT SCALE THIS DOCUMENT		