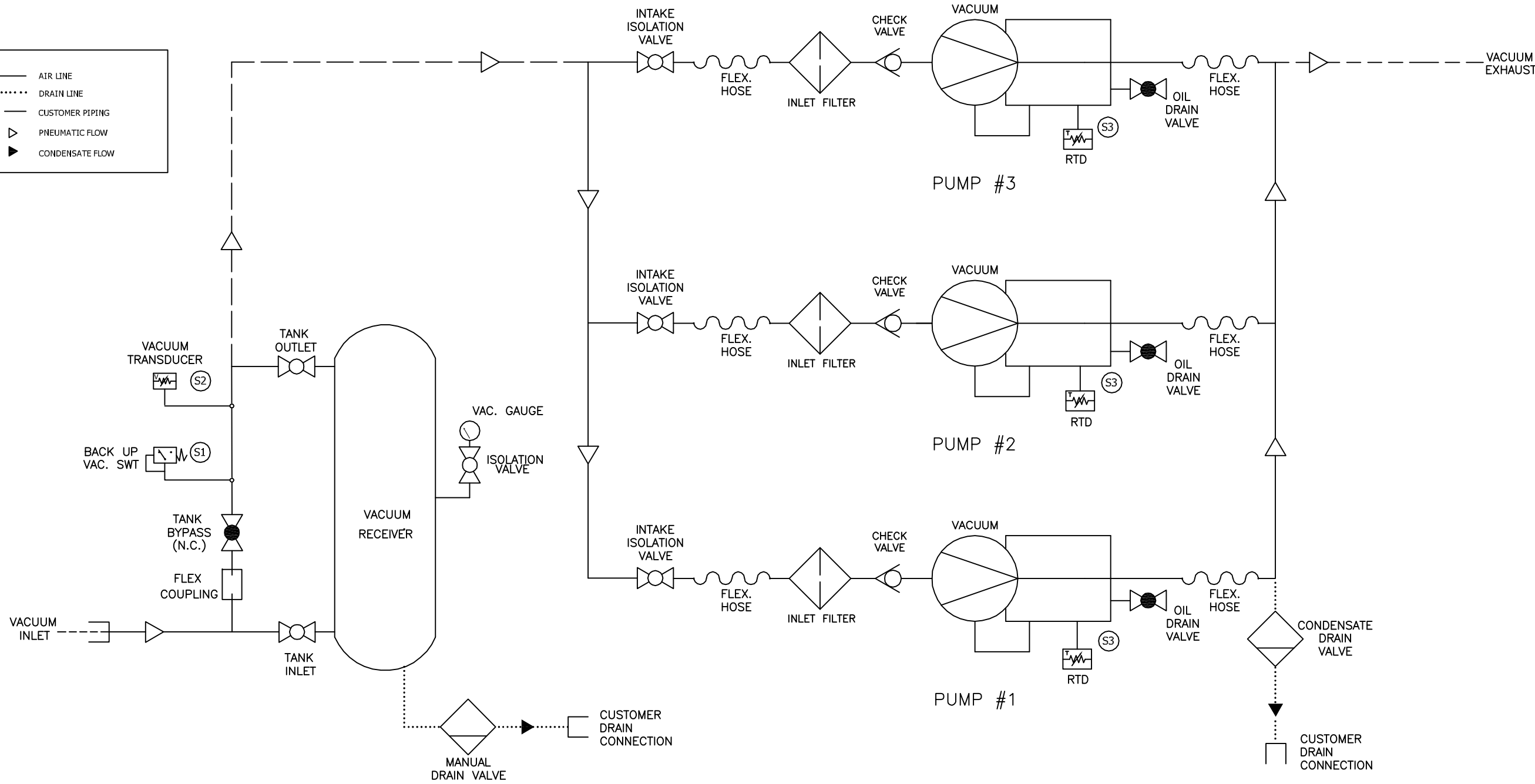
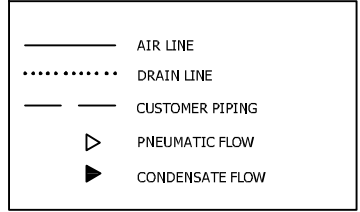


This drawing and the information contained therein remain the property of BeaconMedas and may not be used for other than the purpose for which it is loaned without the expressed written permission from BeaconMedas Engineering.



INSTRUMENTATION DETAILS			
SENSOR	DESCRIPTION	SETTING	ACTION
S1	BACKUP VAC. SWT.	15" Hg ON THE FALL	BACKUP OPERATION
S2	VACUUM TRANSDUCER	VAC-15PSIG	OPERATION
S3	HIGH DISCH TEMP	5-10HP - 250°F	SHUTDOWN

Revised	Date	Drawn	Date
		JEB	12/01/10
		Scale: NTS D	
Description: PNEUMATIC DIAGRAM TX 5-10HP LUBE VAC MOD		Part Number: 4107 8523 38 DTL: USN100815 SHEET 1 OF 1 DO NOT SCALE THIS DOCUMENT	