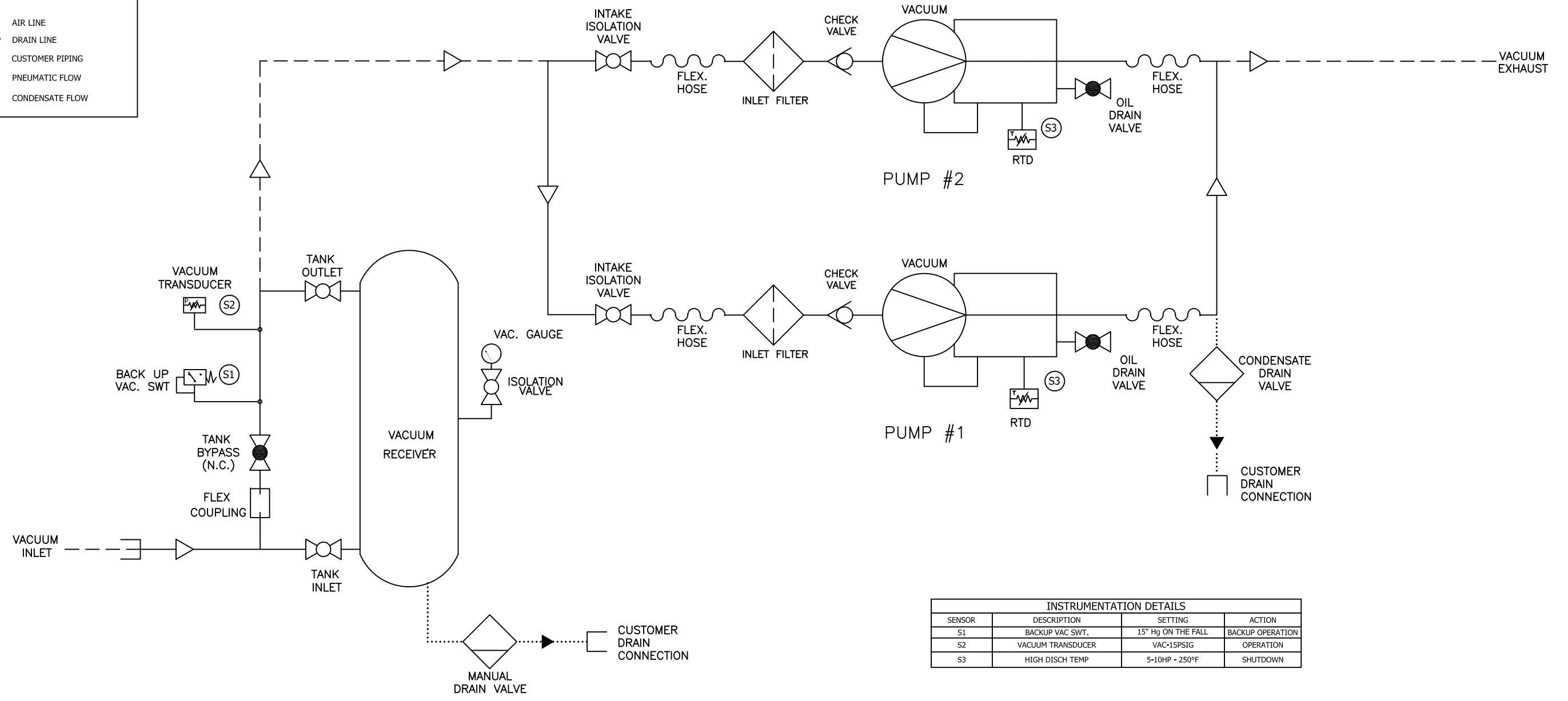
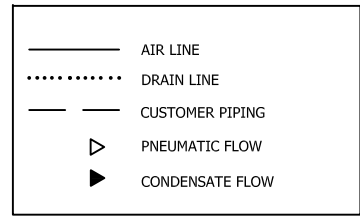


This drawing and the information contained therein remain the property of BeaconMedaes and may not be used for other than the purpose for which it is loaned without the expressed written permission from BeaconMedaes Engineering.



INSTRUMENTATION DETAILS			
SENSOR	DESCRIPTION	SETTING	ACTION
S1	BACKUP VAC SWT.	15" Hg ON THE FALL	BACKUP OPERATION
S2	VACUUM TRANSDUCER	VAC-15PSIG	OPERATION
S3	HIGH DISCH TEMP	5-10HP - 250°F	SHUTDOWN

Revised:	Date:	Drawn:	Date:
		JEB	11/30/10
		This drawing and the information contained herein remain the property of BeaconMedaes and may not be used for other than the purpose for which it is loaned without the expressed written permission from BeaconMedaes Engineering.	
Description: PNEUMATIC DIAGRAM DX 5-10HP LUBE VAC MOD		Part Number: 4107 8523 37 DN: USN100815 Rev: 00 Sheet 1 of 1 DO NOT SCALE THIS DOCUMENT	