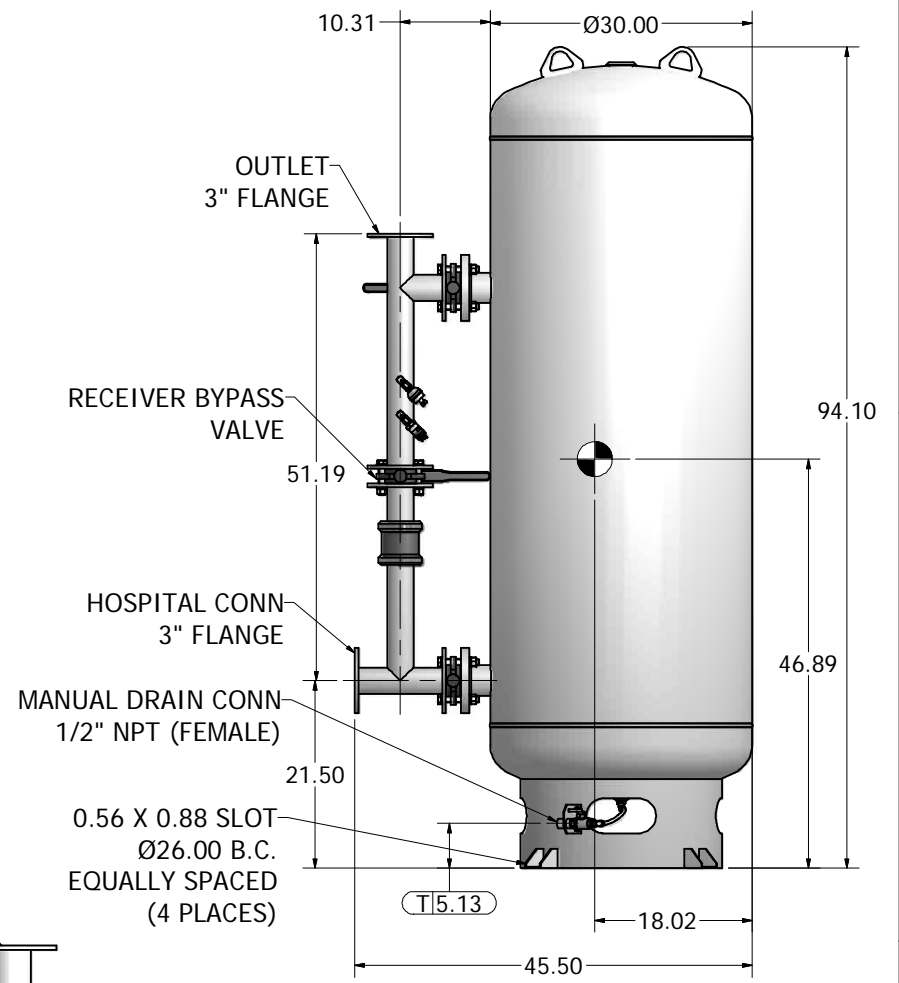
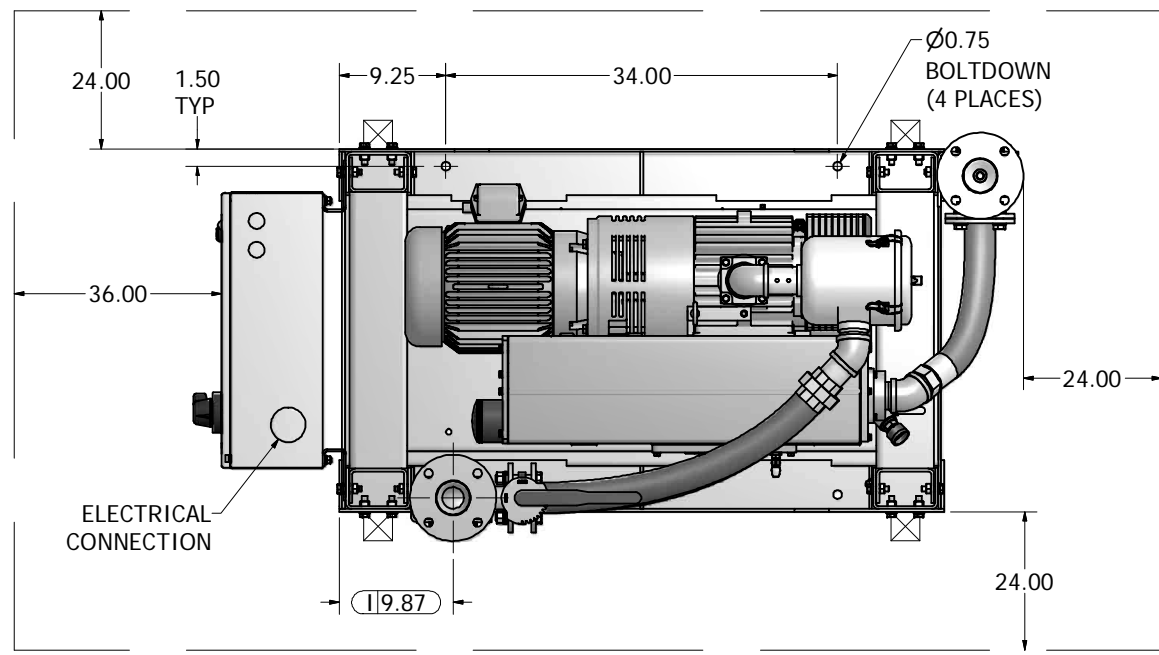


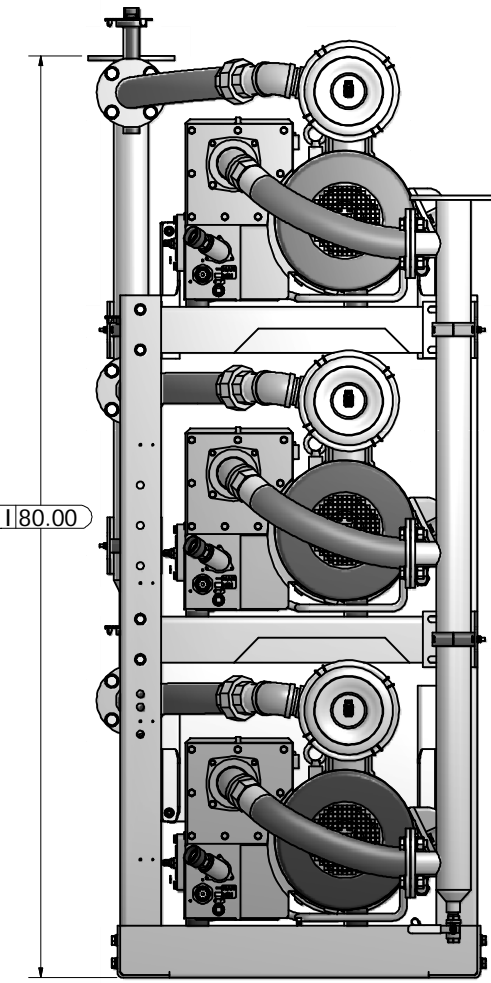
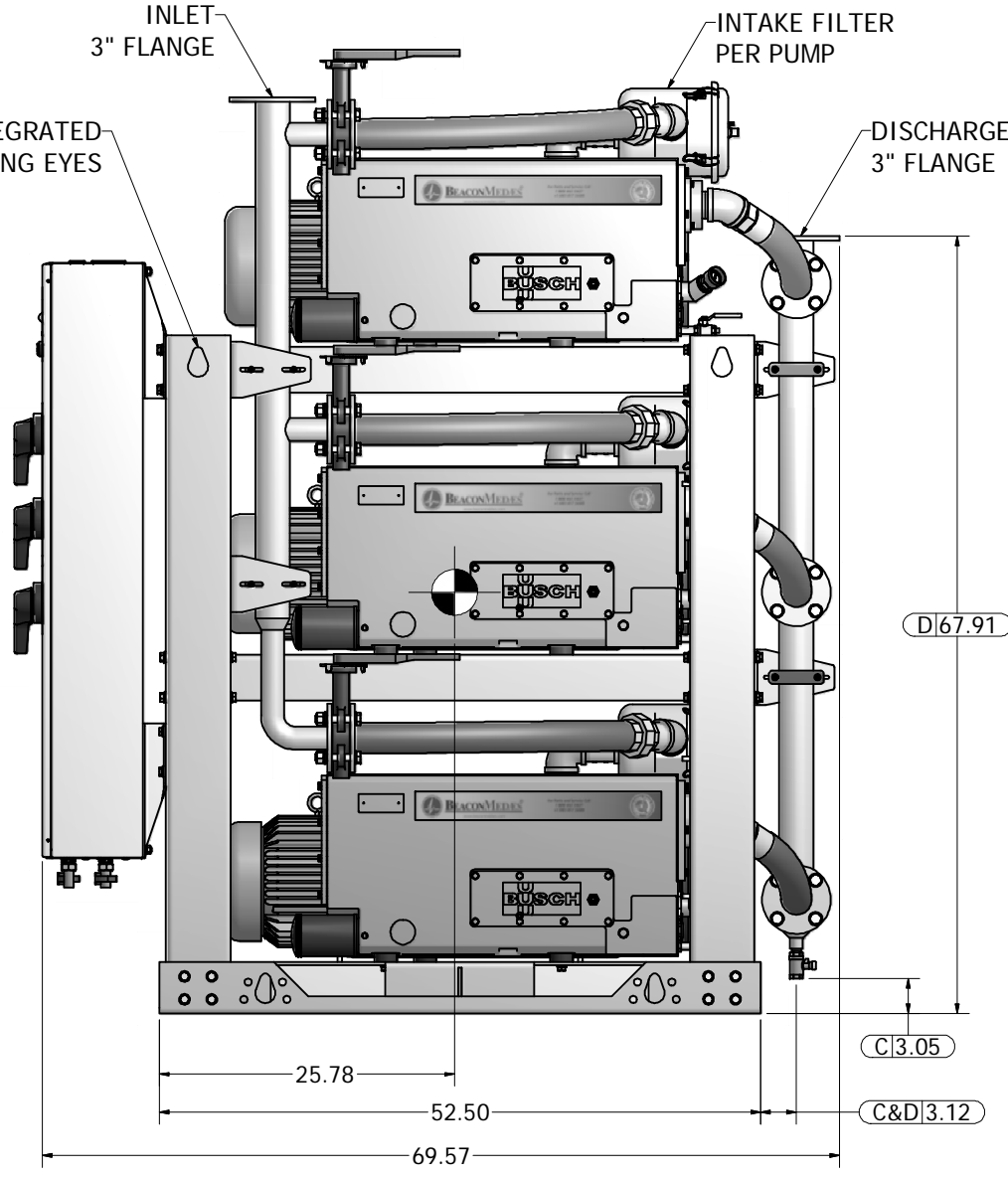
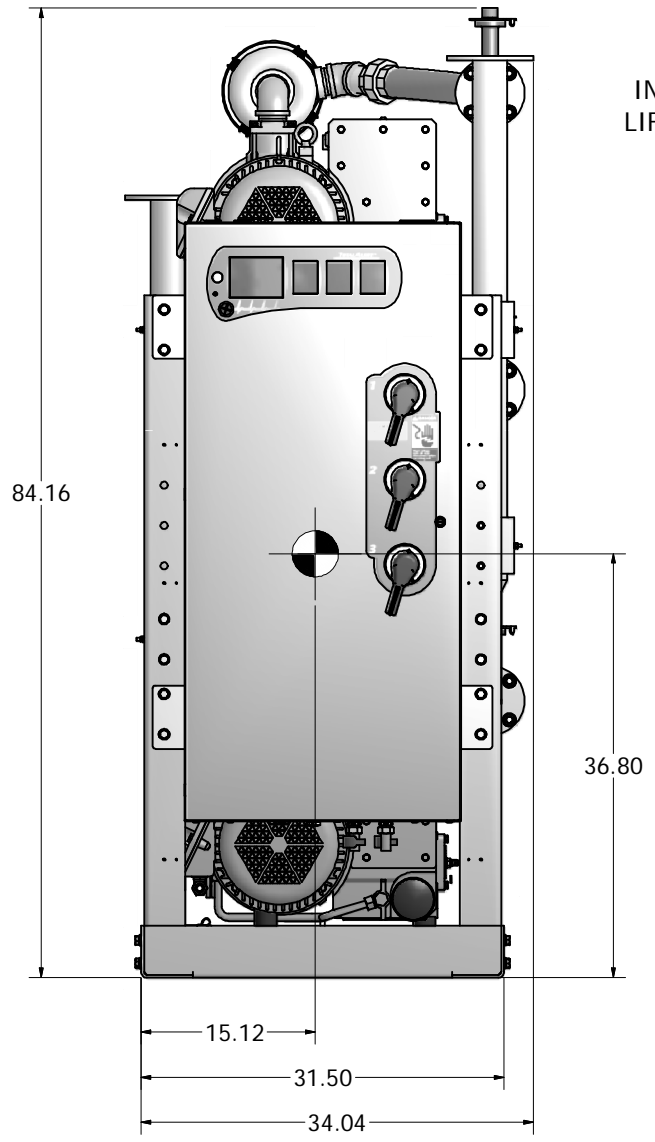
Notes:

- TX MODULE WEIGHT: 2,724 LBS  
240G TANK WEIGHT: 713 LBS
- ☒ INDICATES LIFTING POINT.
- DENOTES CENTER OF GRAVITY.

SYSTEM CONNECTIONS	
ID	DESCRIPTION
I	INLET LOCATION
D	DISCHARGE LOCATION
C	CONDENSATE DRAIN LOCATION
T	TANK DRAIN LOCATION



240 GAL VACUUM RECEIVER  
3" FLANGED CONNECTIONS  
(NTS)



Revised:	Date:	Drawn:	Date:
		USNKW	10/25/2010
		This drawing and the information contained therein remain the property of BeaconMedes and may not be used for other than the purpose for which it is loaned without the expressed written permission from BeaconMedes Engineering.	
Description:		Part Number:	
GENERAL ASSEMBLY 10HP TX LUBE VAC MOD 240G RECEIVER		4107 8522 20	
Sheet 1 of 1		DN: HOP100727	Rev: 00
		DO NOT SCALE THIS DOCUMENT	