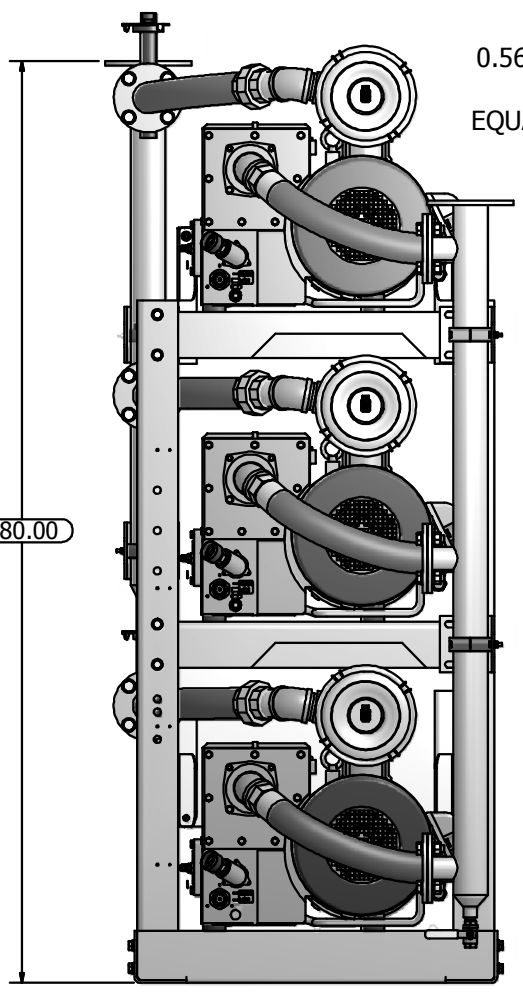
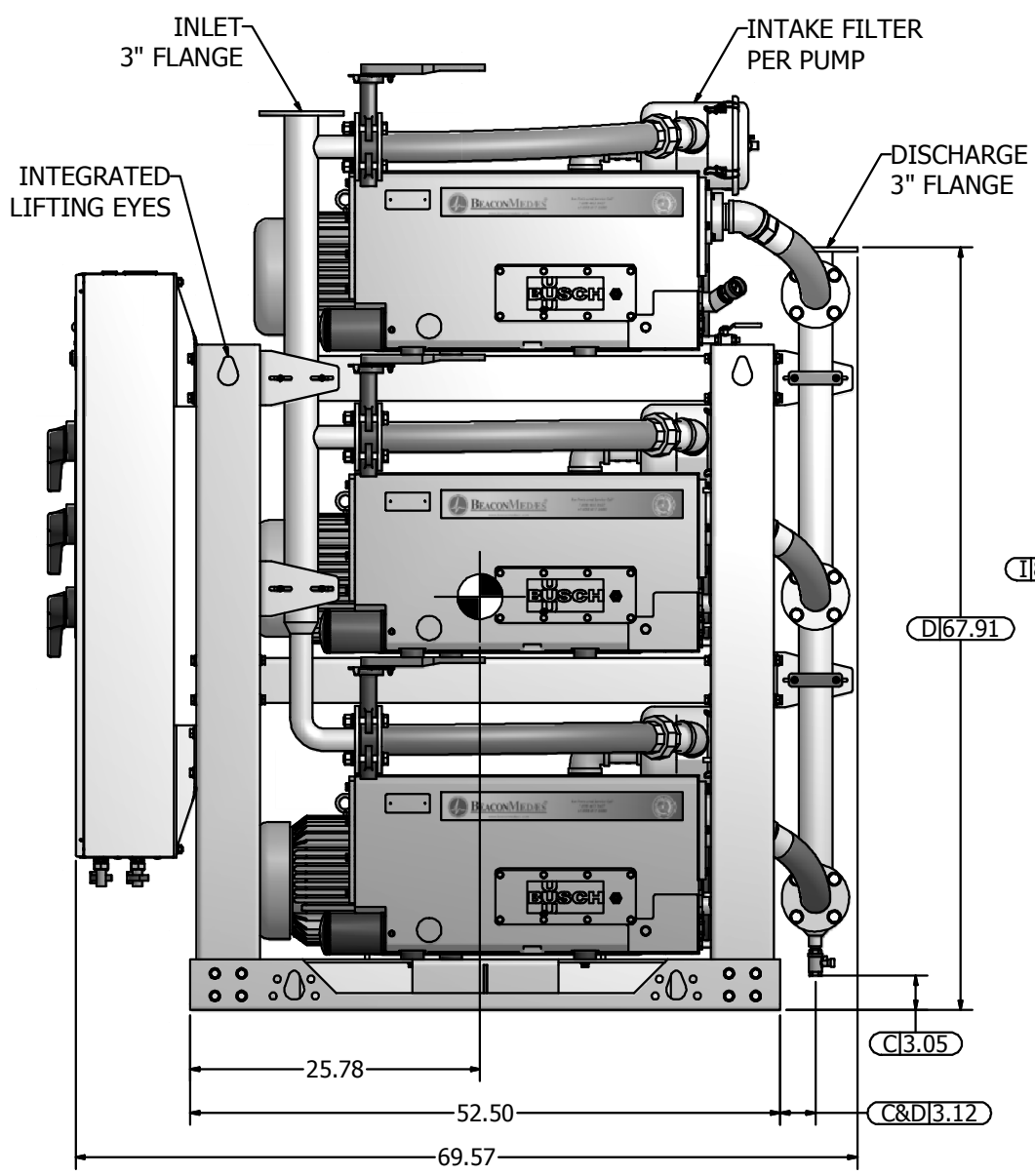
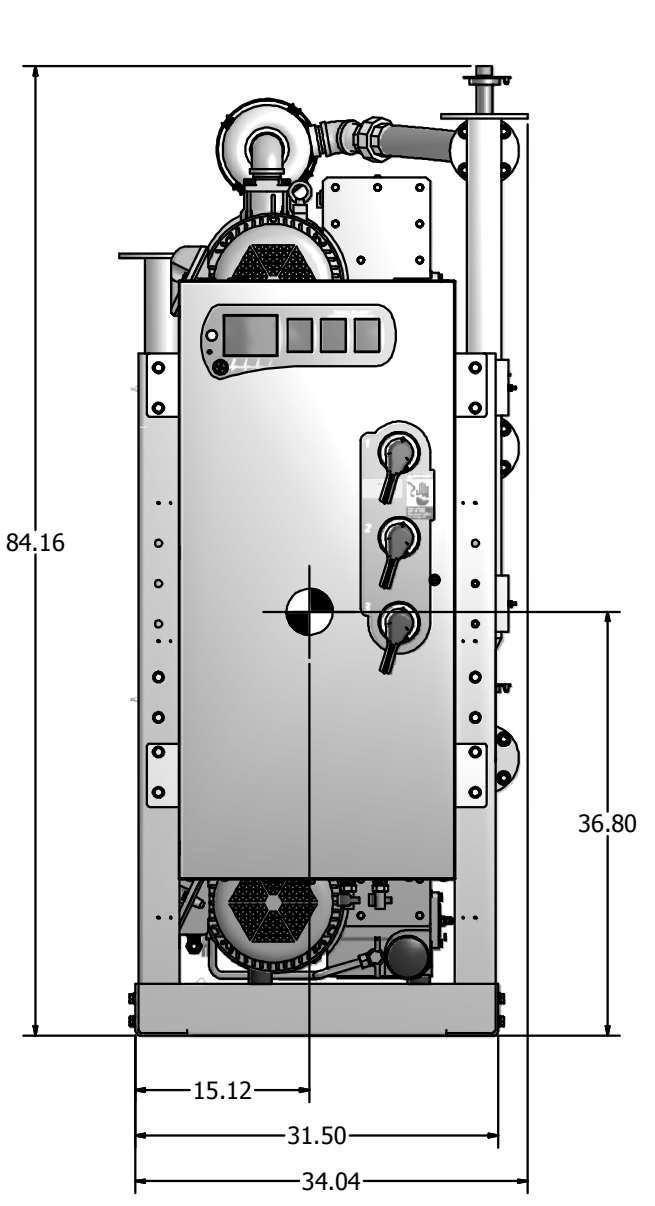
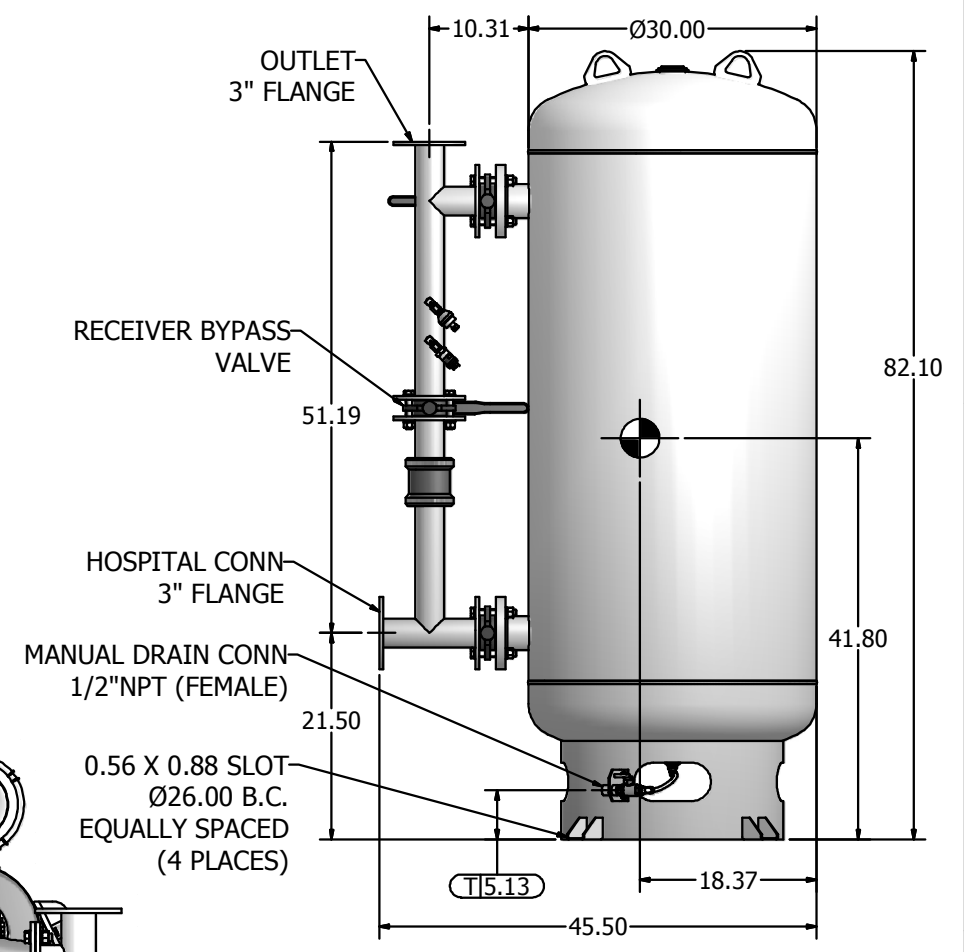
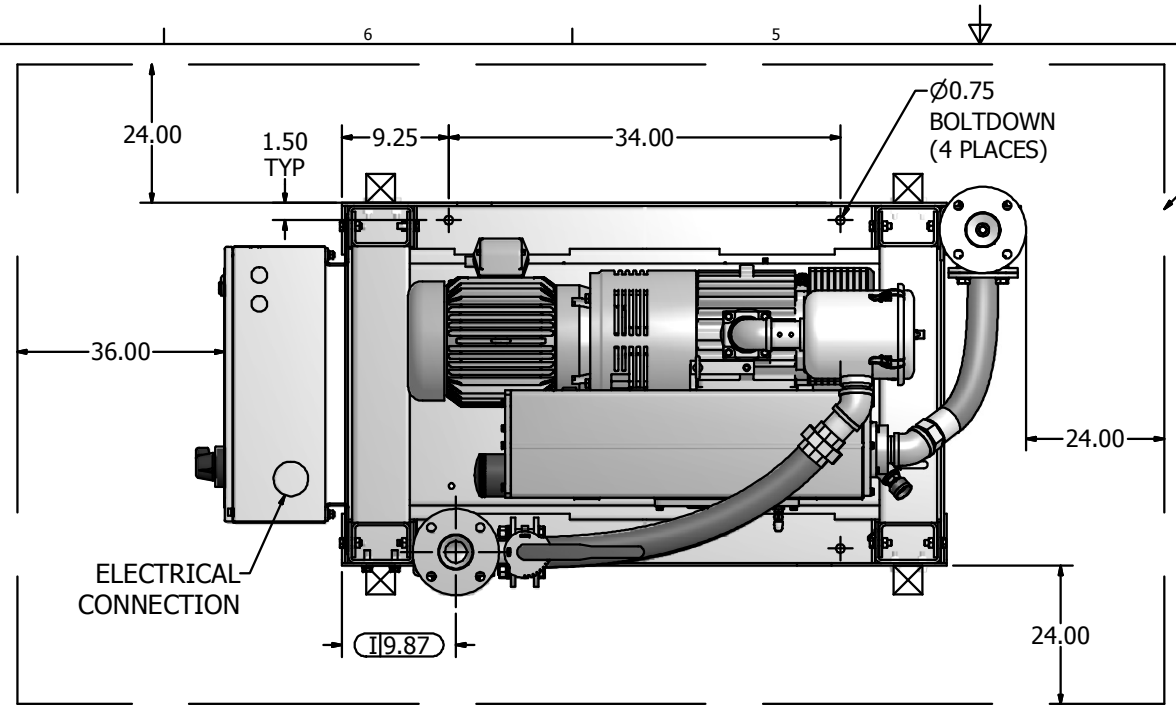


- Notes:
- TX MODULE WEIGHT: 2,724 LBS
200G TANK WEIGHT: 638 LBS
 - ☒ INDICATES LIFTING POINT.
 - DENOTES CENTER OF GRAVITY.

SYSTEM CONNECTIONS	
ID	DESCRIPTION
I	INLET LOCATION
D	DISCHARGE LOCATION
C	CONDENSATE DRAIN LOCATION
T	TANK DRAIN LOCATION



Revised:	Date:	Drawn:	Date:
		USNKW	10/25/2010
		This drawing and the information contained herein remain the property of BeaconMedes and may not be used for other than the purpose for which it is loaned without the expressed written permission from BeaconMedes Engineering.	
Description: GENERAL ASSEMBLY 10HP TX LUBE VAC MOD 200G RECEIVER		Part Number: 4107 8522 19	Scale: 1/8 Rev: 00
Sheet 1 of 1		DO NOT SCALE THIS DOCUMENT	