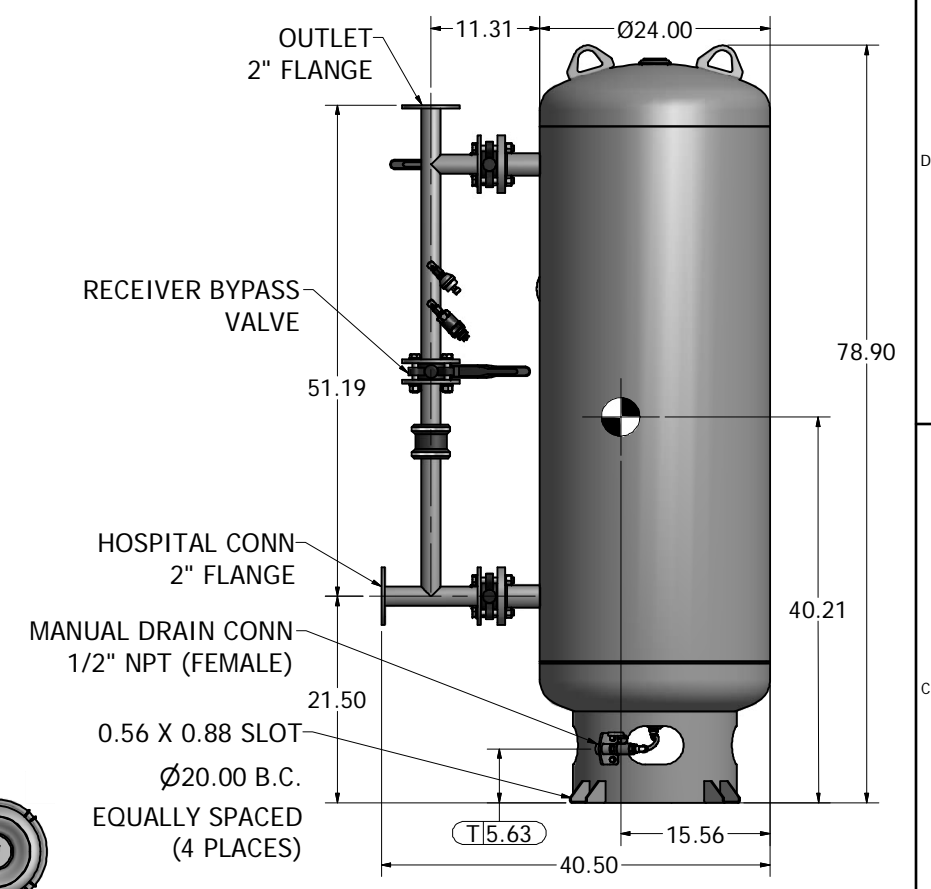
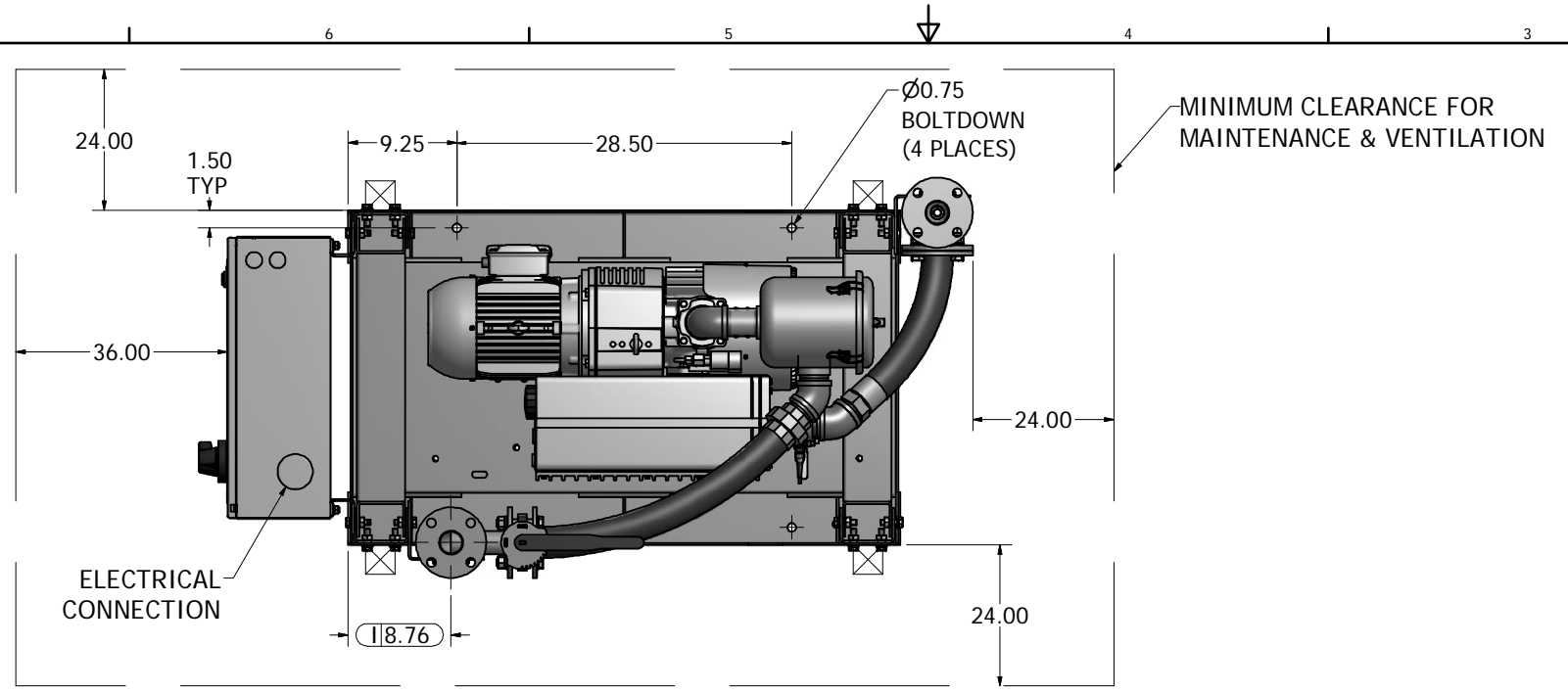
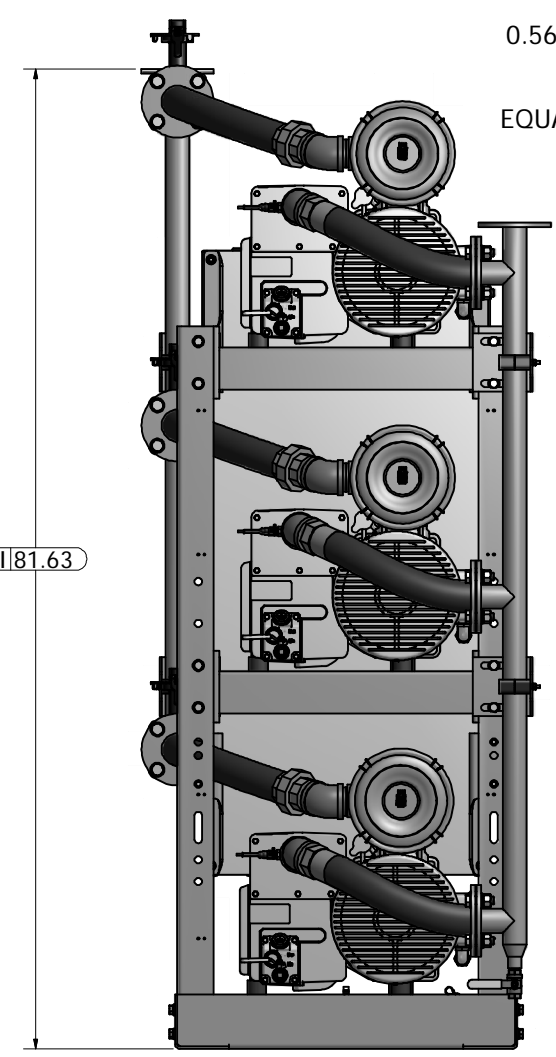
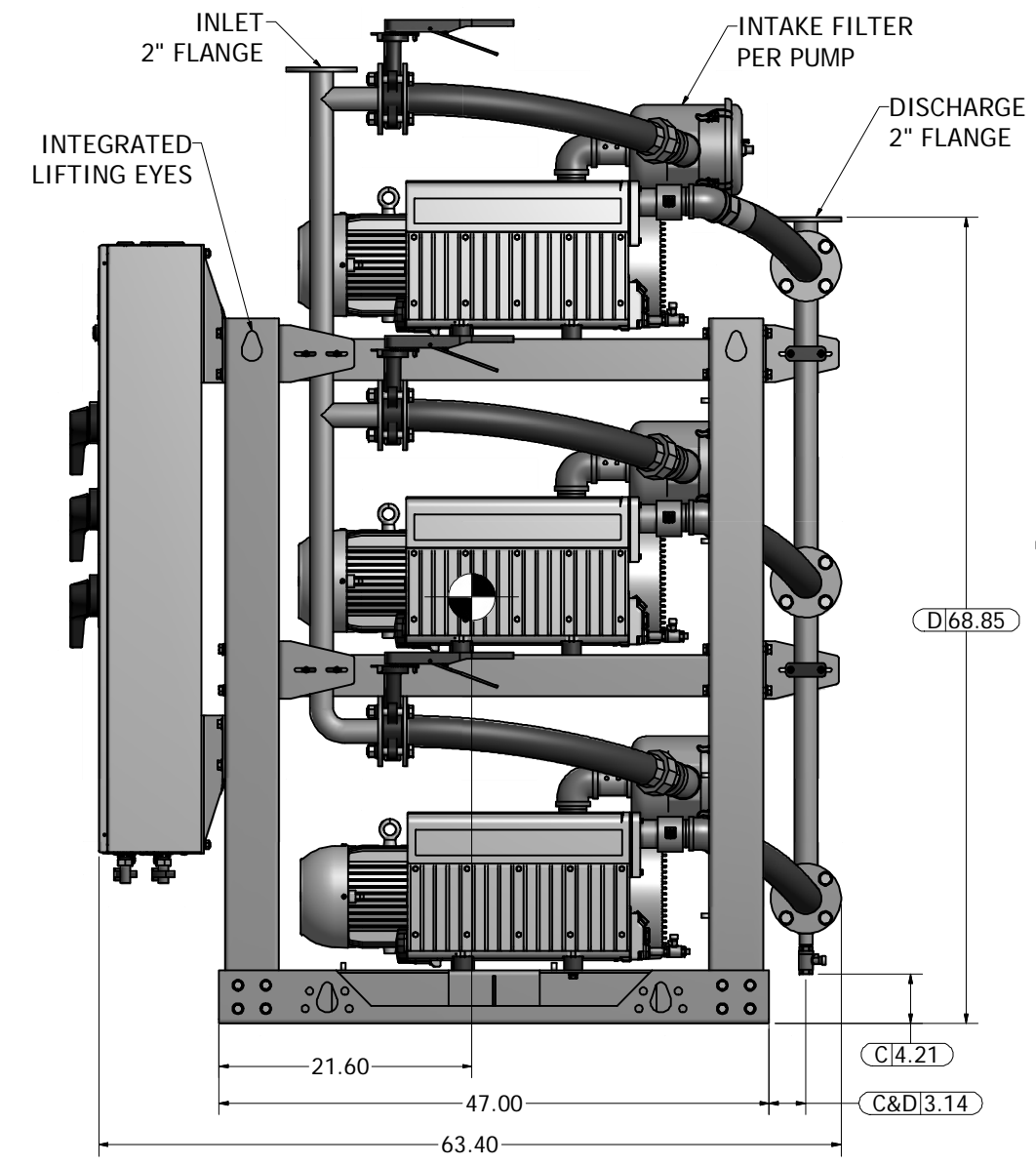
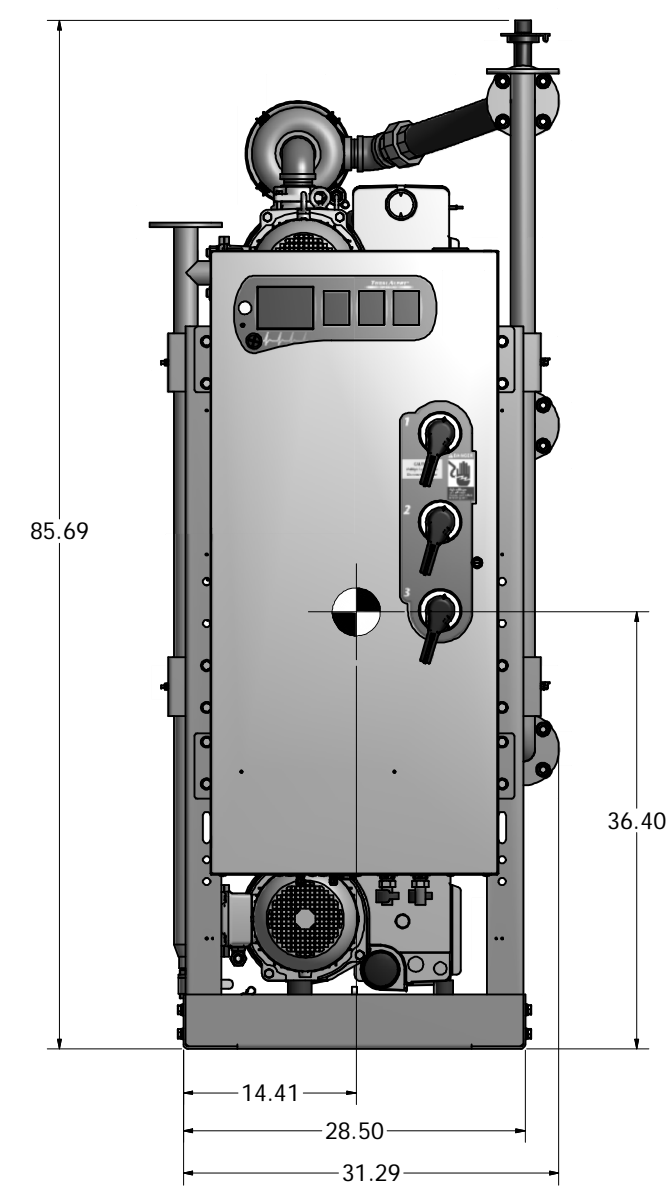


- Notes:
- TX MODULE WEIGHT: 1,545 LBS  
120G TANK WEIGHT: 393 LBS
  - ☒ INDICATES LIFTING POINT.
  - DENOTES CENTER OF GRAVITY.

SYSTEM CONNECTIONS	
ID	DESCRIPTION
I	INLET LOCATION
D	DISCHARGE LOCATION
C	CONDENSATE DRAIN LOCATION
T	TANK DRAIN LOCATION



120 GAL VACUUM RECEIVER  
2" FLANGED CONNECTIONS  
(SCALE 1:10)



Revised: GTM	Date: 7/6/2015	Drawn: USNKW	Date: 10/22/2010
		This drawing and the information contained thereon remain the property of BeaconMedes and may not be used for other than the purpose for which it is loaned without the expressed written permission from BeaconMedes Engineering.	
Description: GENERAL ASSEMBLY 5HP TX LUBE VAC MOD 120G RECEIVER		Part Number: 4107 8522 14	Scale: 1/8
Sheet 1 of 1		Rev: 01	DO NOT SCALE THIS DOCUMENT