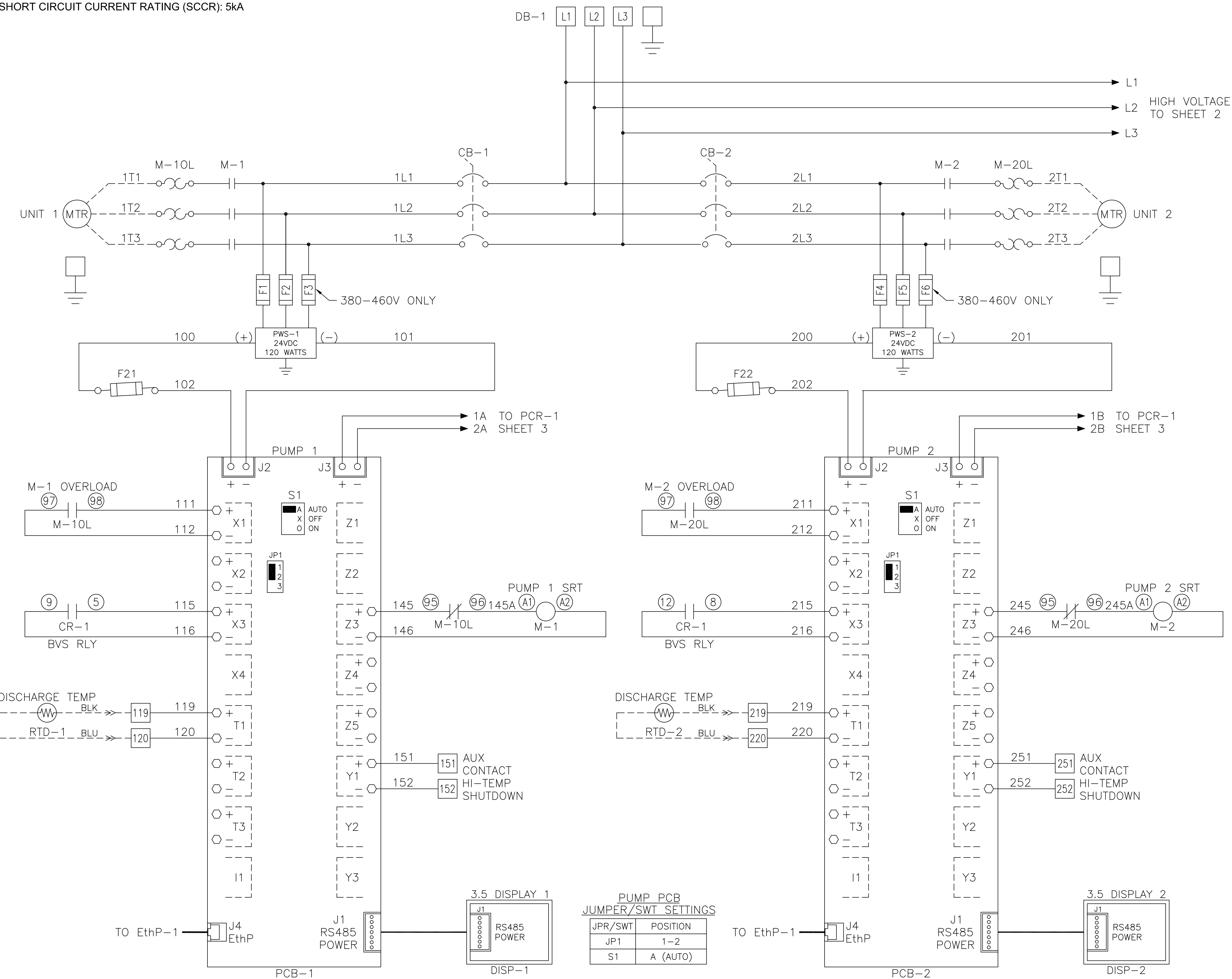


Notes:

1. MAIN DISCONNECT PROVIDED BY OTHERS.
2. FIELD WIRING TO BE COPPER RATED FOR 75°C MINIMUM.
3. - - - - - INDICATES FIELD WIRING OUTSIDE OF BOX.
4. AUXILIARY CONTACTS LIST AND OPERATION NOTES ON SHEET 3.
5. THE AMPACITY OF CONDUCTORS SUPPLYING THE CONTROL PANEL TO BE ROUNDED UP TO THE NEXT SIZE LARGER STANDARD WIRE GAUGE.
6. MOP VALUES TO BE ROUNDED DOWN TO THE NEAREST STANDARD RATING OF THE OVERCURRENT PROTECTION DEVICE.
7. SHORT CIRCUIT CURRENT RATING (SCCR): 5kA

208-460V
3Ø
50/60 Hz

SCCR: 5kA



MINIMUM CIRCUIT AMPACITY (MCA)

SYSTEM HP	208 V	230 V	380/400 V	460 V
5 HP	59.6 AMPS	51.8 AMPS	33.4 AMPS	26.2 AMPS
7.5 HP	84.9 AMPS	73.9 AMPS	47.4 AMPS	37.3 AMPS
10 HP	107.3 AMPS	93.4 AMPS	60.4 AMPS	47.0 AMPS
15 HP	159.7 AMPS	138.9 AMPS	89.6 AMPS	69.8 AMPS
20 HP	204.5 AMPS	177.9 AMPS	112.4 AMPS	89.3 AMPS
25 HP	256.8 AMPS	223.4 AMPS	114.9 AMPS	112.0 AMPS

MAXIMUM OVERCURRENT PROTECTION (MOP)

SYSTEM HP	208 V	230 V	380/400 V	460 V
5 HP	74.3 AMPS	64.6 AMPS	41.2 AMPS	32.3 AMPS
7.5 HP	107.5 AMPS	93.5 AMPS	59.5 AMPS	46.8 AMPS
10 HP	136.8 AMPS	119.0 AMPS	76.5 AMPS	59.5 AMPS
15 HP	205.2 AMPS	178.5 AMPS	114.8 AMPS	89.3 AMPS
20 HP	263.9 AMPS	229.5 AMPS	144.5 AMPS	114.8 AMPS
25 HP	332.3 AMPS	289.0 AMPS	187.0 AMPS	144.5 AMPS

TRIPLEX SYSTEM FULL LOAD AMPERES

SYSTEM HP	208 V	230 V	380V/50Hz	460 V
5 HP	45.0 AMPS	40.6 AMPS	24.6 AMPS	20.8 AMPS
7.5 HP	66.3 AMPS	67.3 AMPS	35.7 AMPS	34.0 AMPS
10 HP	81.3 AMPS	78.7 AMPS	42.3 AMPS	39.7 AMPS
15 HP	123.3 AMPS	114.1 AMPS	68.4 AMPS	57.4 AMPS
20 HP	164.1 AMPS	157.9 AMPS	85.5 AMPS	79.3 AMPS
25 HP	218.1 AMPS	187.9 AMPS	112.5 AMPS	94.3 AMPS

INDIVIDUAL FULL LOAD AMPERES

SYSTEM HP	208 V	230 V	380V/50Hz	460 V
5 HP	14.3 AMPS	12.9 AMPS	7.7 AMPS	6.5 AMPS
7.5 HP	21.4 AMPS	21.8 AMPS	11.4 AMPS	10.9 AMPS
10 HP	26.4 AMPS	25.6 AMPS	13.6 AMPS	12.8 AMPS
15 HP	40.4 AMPS	37.4 AMPS	22.3 AMPS	18.7 AMPS
20 HP	54.0 AMPS	52.0 AMPS	28.0 AMPS	26.0 AMPS
25 HP	72.0 AMPS	62.0 AMPS	37.0 AMPS	31.0 AMPS

FUSE SELECTION CHART (MAX FUSE SIZES SHOWN)

HP	FUSES	208 V	230 V	380 V	460 V
ALL	F1/F2/F4/ F5/F7/F8	6 AMP	6 AMP	6 AMP	6 AMP
	F3/F6/F9	---	---	6 AMP	6 AMP
5-20HP	F21/F22/F23	2.5 AMP	2.5 AMP	2.5 AMP	2.5 AMP
25HP		4.0 AMP			
ALL	F33	1.0 AMP	1.0 AMP	1.0 AMP	1.0 AMP
ALL	F35	0.5 AMP	0.5 AMP	0.5 AMP	0.5 AMP

F1-F9 ARE LITTELFUSE KLDR 600V TYPE
F21/F22/F23/F33/F35 ARE LITTELFUSE 2AG 250V TYPE

DEFAULT VACUUM SETTINGS

ALTITUDE	LEAD CUT-OFF ("Hg)	LAG CUT-ON ("Hg)	Maximum Limits ("Hg)	Minimum Limits ("Hg)
0'-3000'	25"	19"	25"	21"
3001'-4000'	24"	19"	25"	21"
4001'-5000'	23"	18"	25"	21"
5001'-6000'	22"	18"	24"	20"
6001'-7000'	21"	17"	23"	19"
7001'-8000'	20"	17"	22"	19"
8001'-9000'	19"	16"	21"	18"
9001'-10,000'	18"	16"	20"	18"
>10,000'	CONSULT FACTORY			

BACKUP VACUUM SWITCH

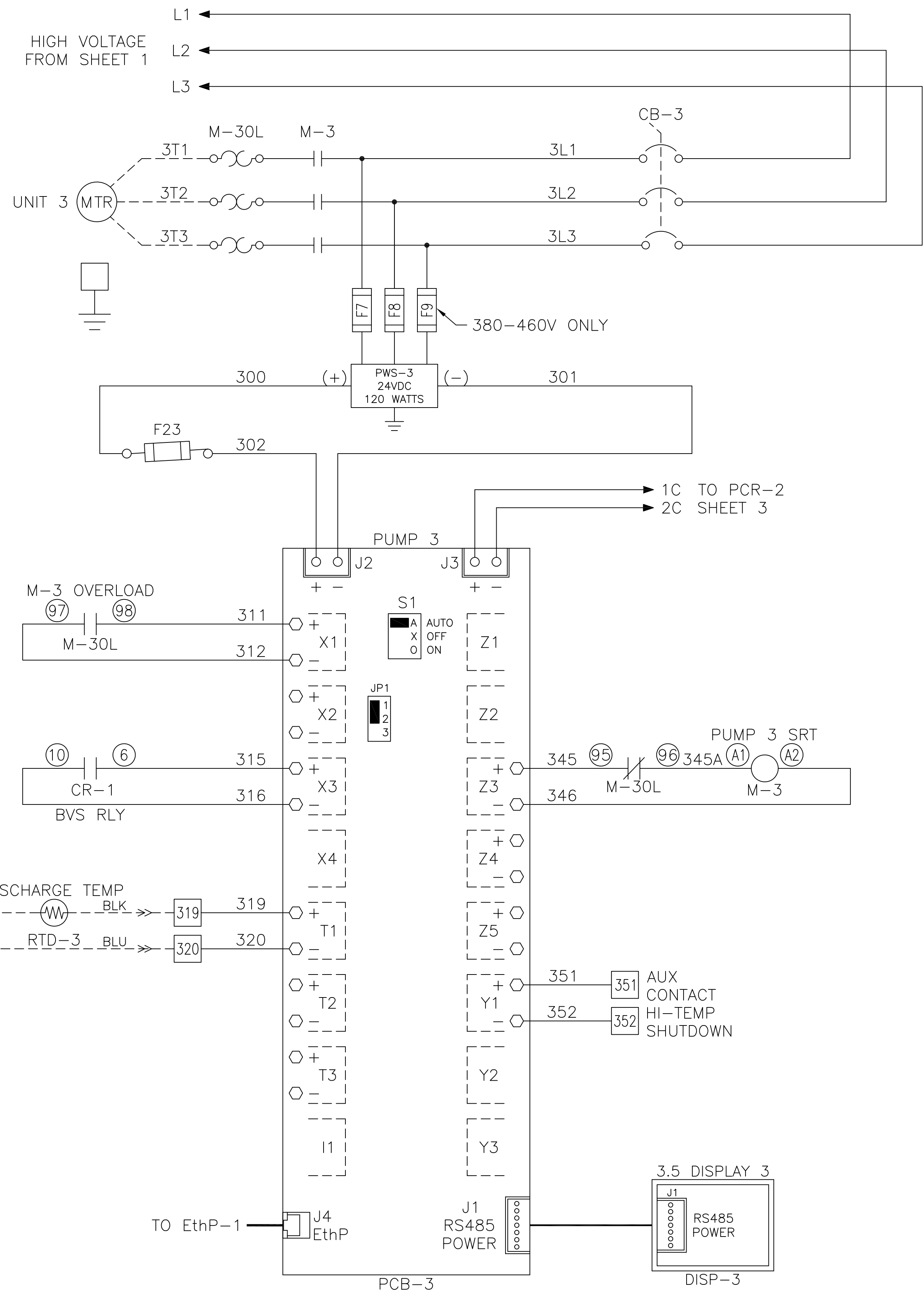
BVS-1	CUT-ON	15"
-------	--------	-----

Revised: BJM	Date: 08/28/18	Drawn: JAH	Date: 05/10/11
<p>This drawing and the information contained herein remain the property of BeaconMedas and may not be used for other than the purpose for which it is loaned without the expressed written permission from BeaconMedas Engineering.</p>			
<p>Part Number: 4107 8523 61</p>		<p>Scale: NTS</p>	
<p>DN: HOP 180701</p>		<p>Rev: 08</p>	
<p>Sheet 1 of 3</p>		<p>DO NOT SCALE THIS DOCUMENT</p>	

DWG WIRING CONTROL
TX LUBE 5-25HP
208-460/3/50-60

Notes:

1. FIELD WIRING TO BE COPPER RATED FOR 75°C MINIMUM.



Revised:	BJM	Date:	08/28/18	Drawn:	JAH	Date:	05/10/11
<p>This drawing and the information contained thereon remain the property of BeaconMedas and may not be used for other than the purpose for which it is loaned without the expressed written permission from BeaconMedas Engineering.</p>							
Description:						Part Number:	
DWG WIRING CONTROL TX LUBE 5-25HP 208-460/3/50-60						4107 8523 61 DN: HOP 180701 Sheet 2 of 3	
						Scale: NTS Rec: 08 DO NOT SCALE THIS DOCUMENT	

