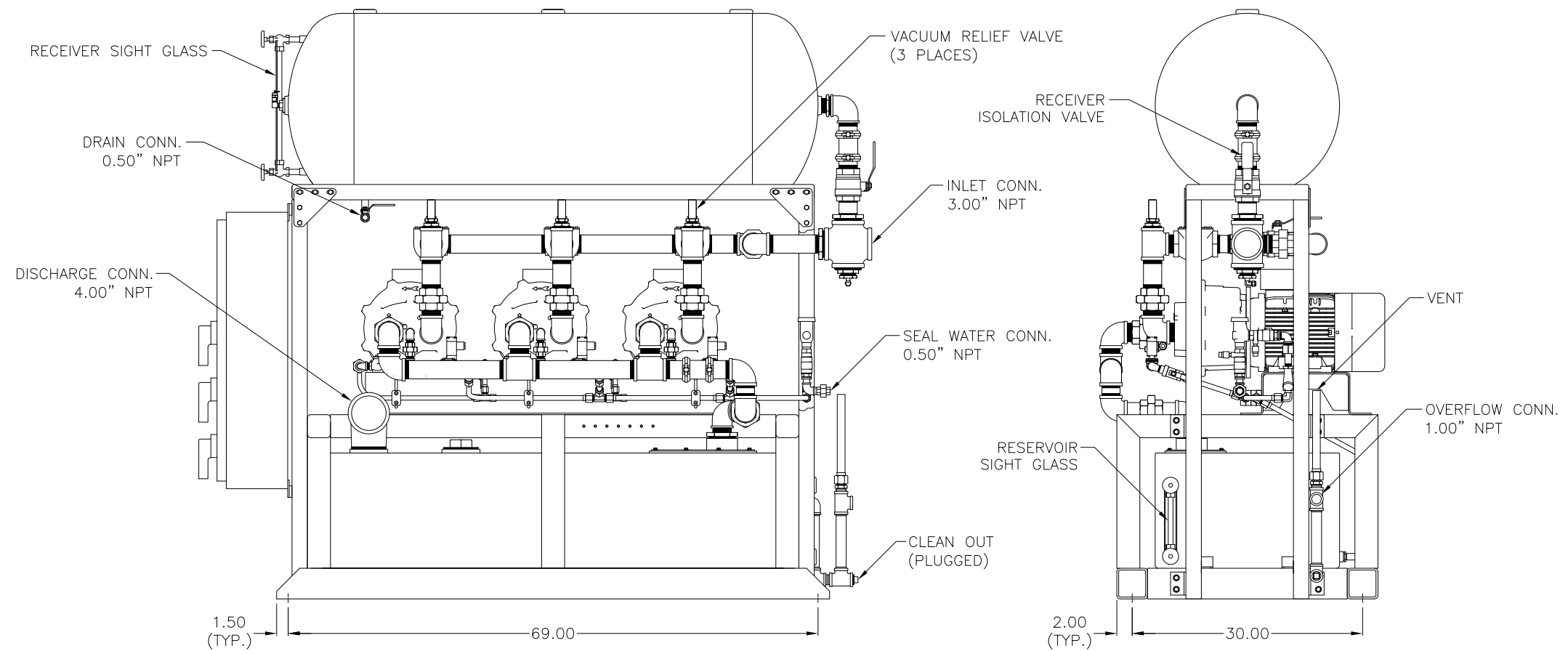
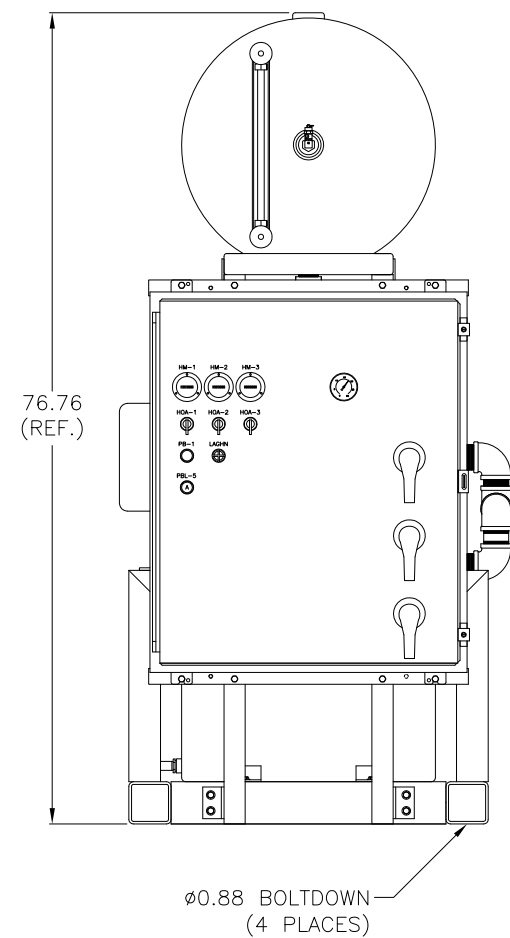
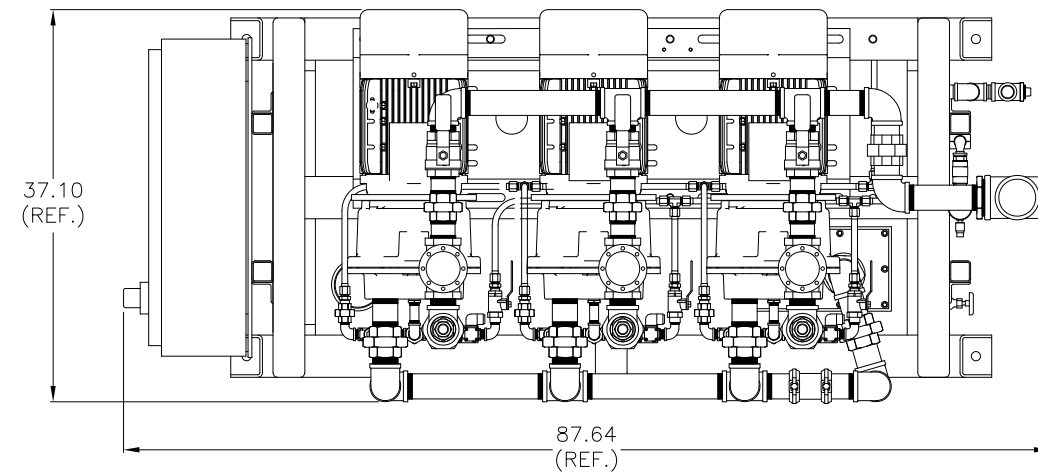


NOTES:

1. INTAKE, DISCHARGE, SEAL WATER FLEX HOSES AND VIBRATION ISOLATORS WILL BE SHIPPED LOOSE.
2. ALLOW 36 INCHES IN FRONT OF CONTROL PANEL FOR MAINTENANCE AND VENTILATION, ALL OTHER SIDES REQUIRE 24 INCHES OF CLEARANCE.
3. NOISE LEVEL AND SYSTEM DATA REFLECT TWO VACUUM PUMPS IN OPERATION.
4. _ INDICATES VOLTAGE REQUIREMENTS: A = 208V, B = 230V & C = 460V
5. VACUUM RECEIVER REMOVED IN TOP VIEW.
6. VACUUM RECEIVER CAN BE SHIPPED LOOSE FOR FIELD INSTALLATION.

COMPLETE SYSTEM MODEL NO.	RECEIVER (GAL)	UNIT (HP)	CAPACITY @ 19" Hg (SCFM)		NOISE LEVEL dB(A)	SYSTEM WEIGHT (lbs)
			PUMP	SYSTEM		
LPV-10T-RC120V-T_	120	10	54	108	76	~1,994



Revised: BKW	Date: 9/21/2016	Drawn: MDB	Date: 09/19/11
This drawing and the information contained therein remain the property of BeaconMedias and may not be used for other than the purpose for which it is loaned without the expressed written permission from BeaconMedias Engineering.			D
Description: GEN ASM TPX CAMEL VAC SYS TYPE 1 SX30/10HP		Part Number: 4107 8518 91	
DN: HOP140966		Rev: 04	
Sheet 1 of 1		DO NOT SCALE THIS DOCUMENT	