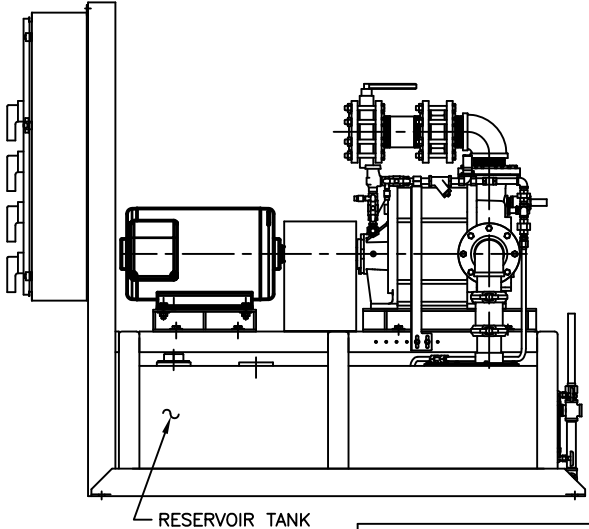
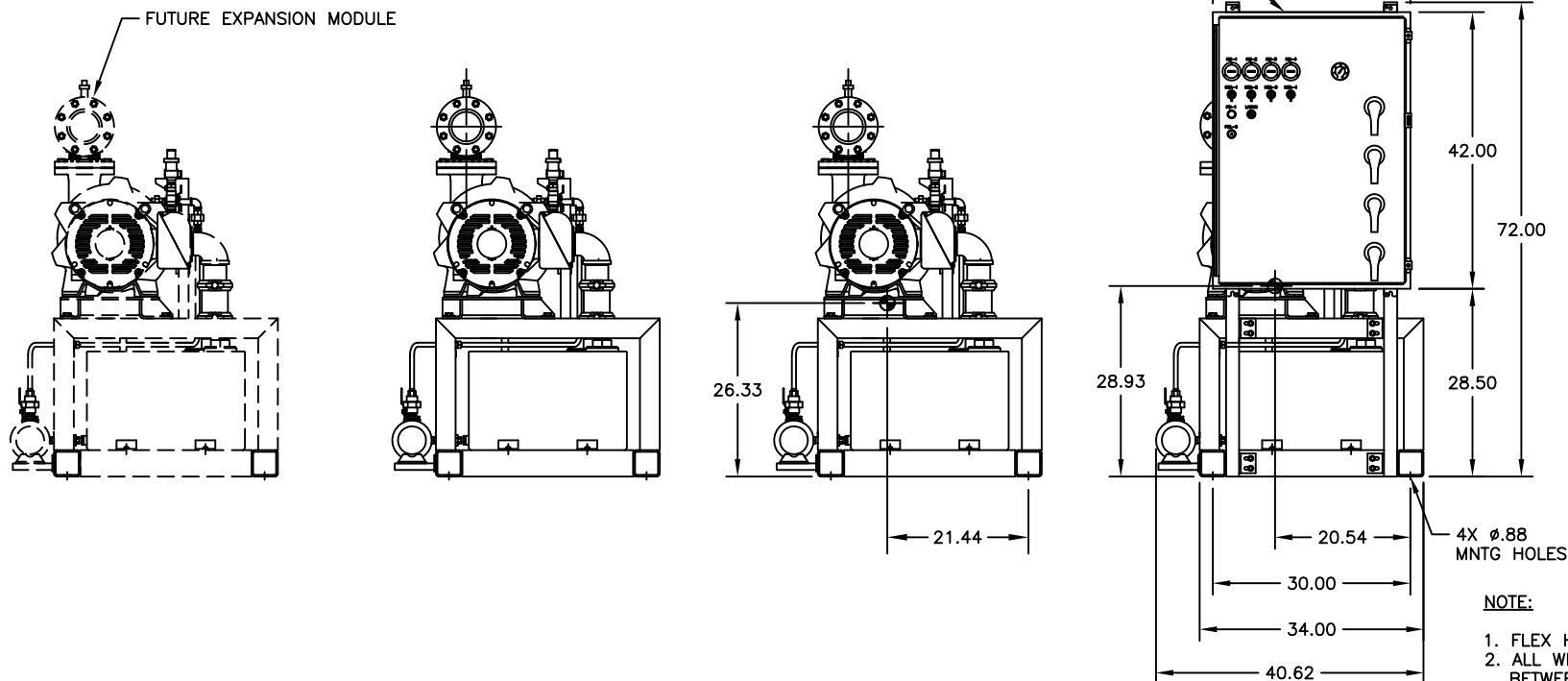
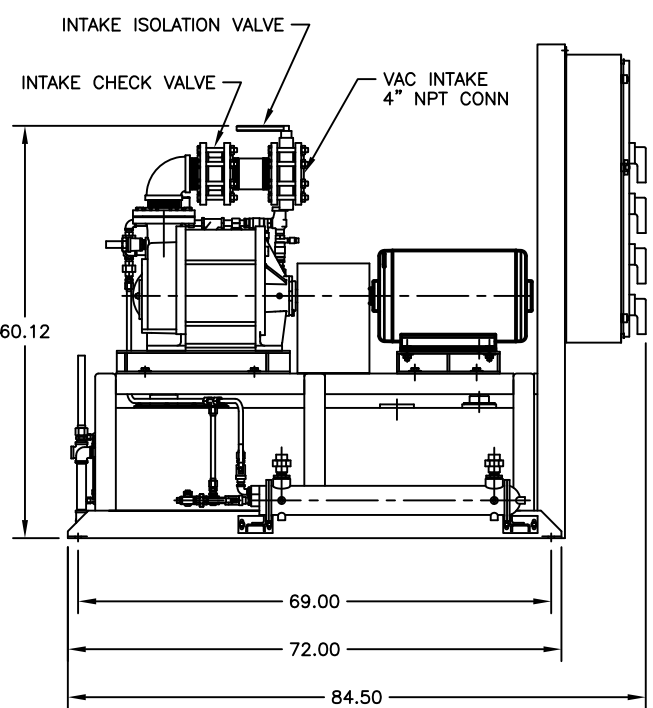
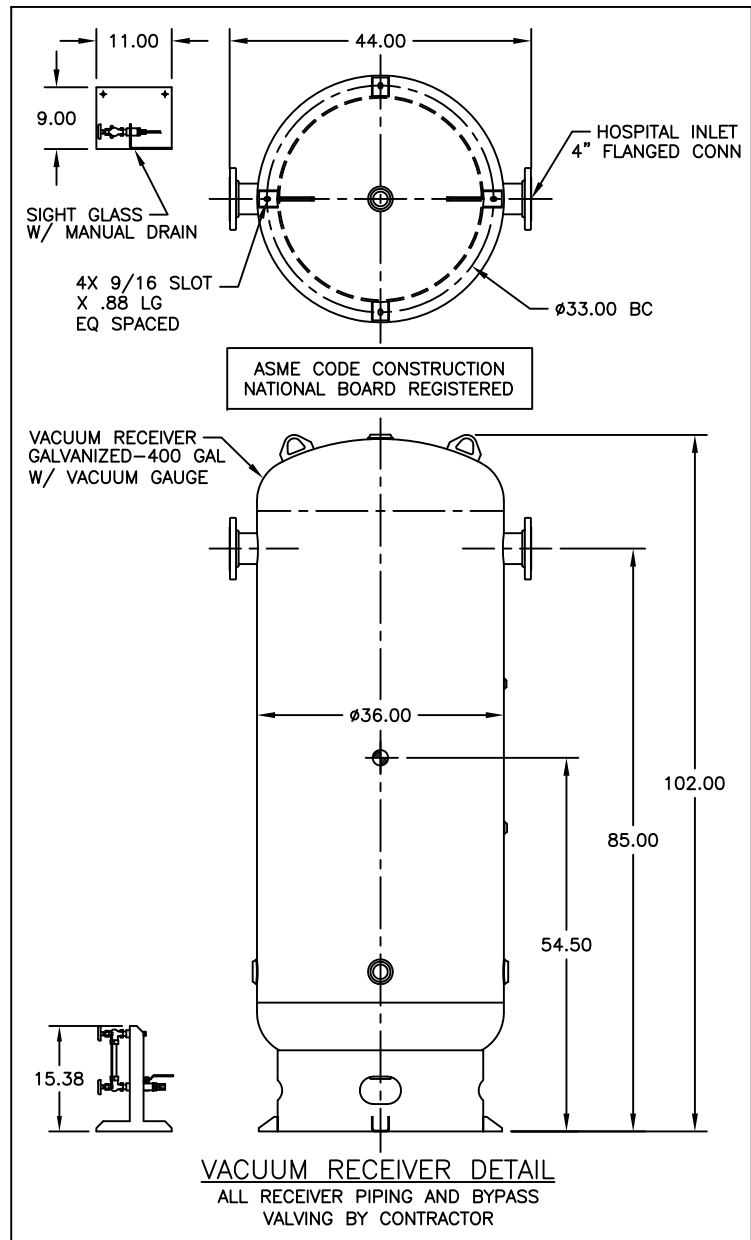
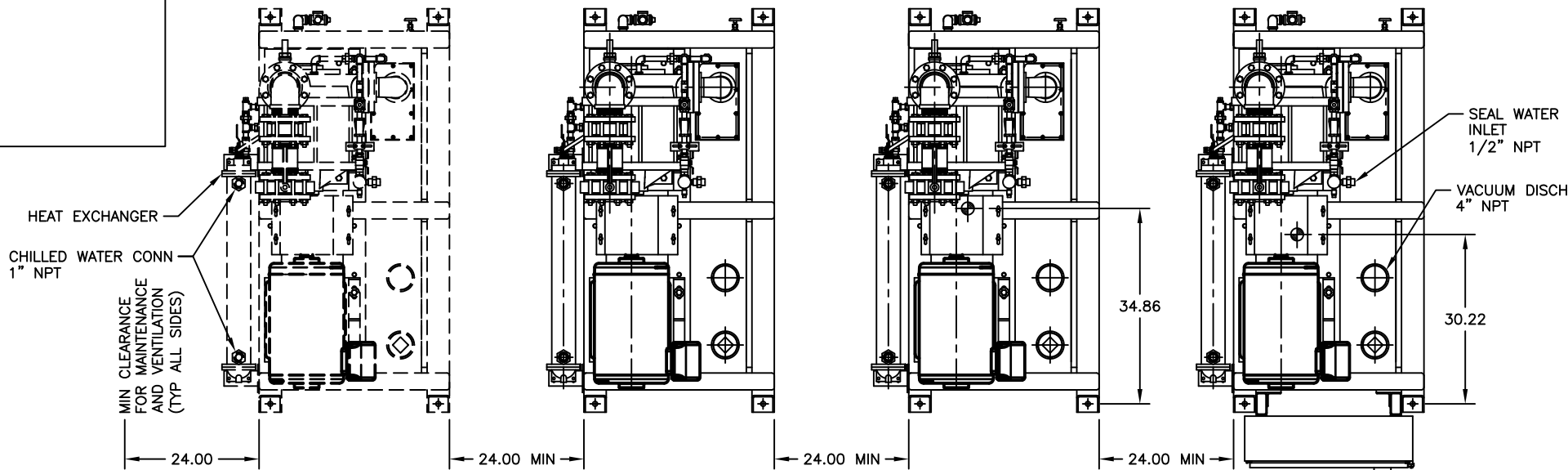


MODEL NUMBER	UNIT (HP)	PUMP MODEL	RECEIVER (GALLONS)	WEIGHT (lbs.)		
				SIMPLEX MODULE	SIMPLEX MODULE WITH CONTROL PANEL	RECEIVER MODULE
LVS-30T-RC400V-Q	30	GL-100	400	1907	2207	650



EXPANSION MODULE REMOVED FOR CLARITY

- NOTE:
1. FLEX HOSES ARE SHIPPED LOOSE.
 2. ALL WIRING AND INTAKE MANIFOLD BETWEEN MODULES SUPPLIED BY OTHERS.
 3. ⦿ INDICATES CENTER OF GRAVITY.

BEACONMEDAS

TITLE:
LL TPX-EXP-QPX CAMEL TYPE 2 VAC SYS
GENERAL ASSEMBLY - GL-100/30HP

DRAWN BY: T. FELLER	DATE: 12/22/05	This drawing and the information contained therein remain the property of BeaconMedas and may not be used for other than the purpose for which it is loaned without the expressed written permission from BeaconMedas Engineering.
CHECKED BY:	DATE:	
REVISED BY: B.M.	DATE: 11/11/10	
SCALE: 1/14	D	

DRAWING NO. DIA 24 235X
REV. C