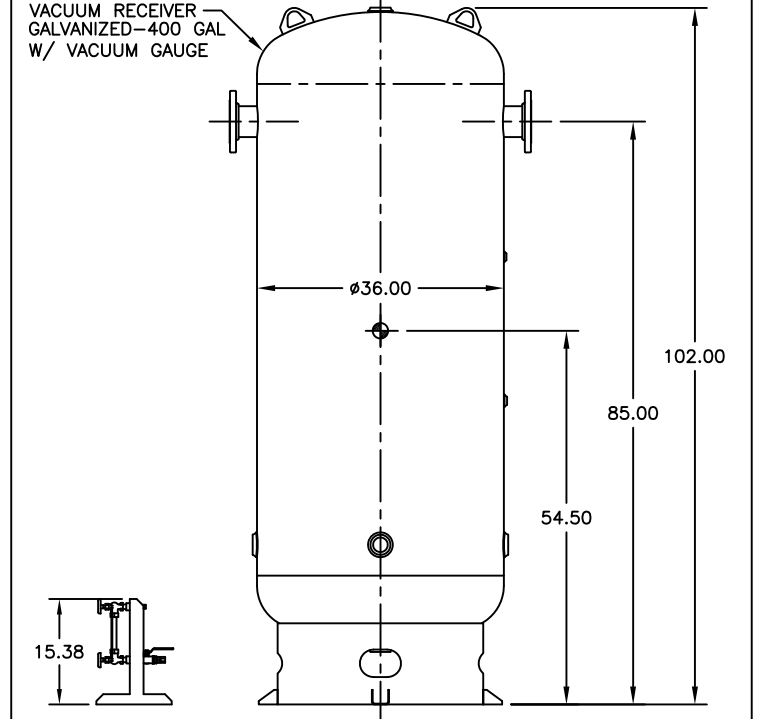
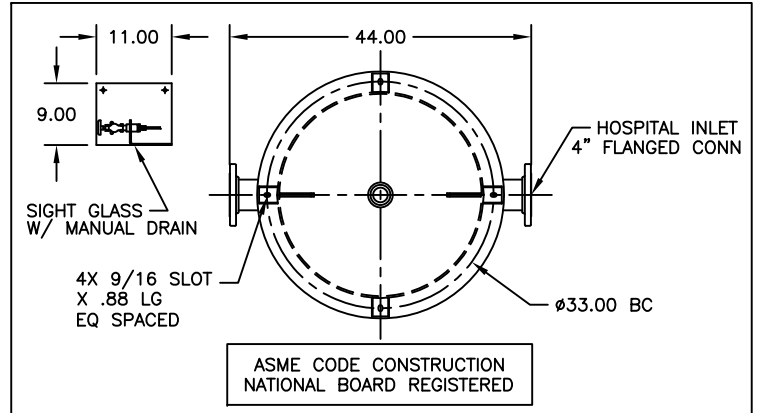
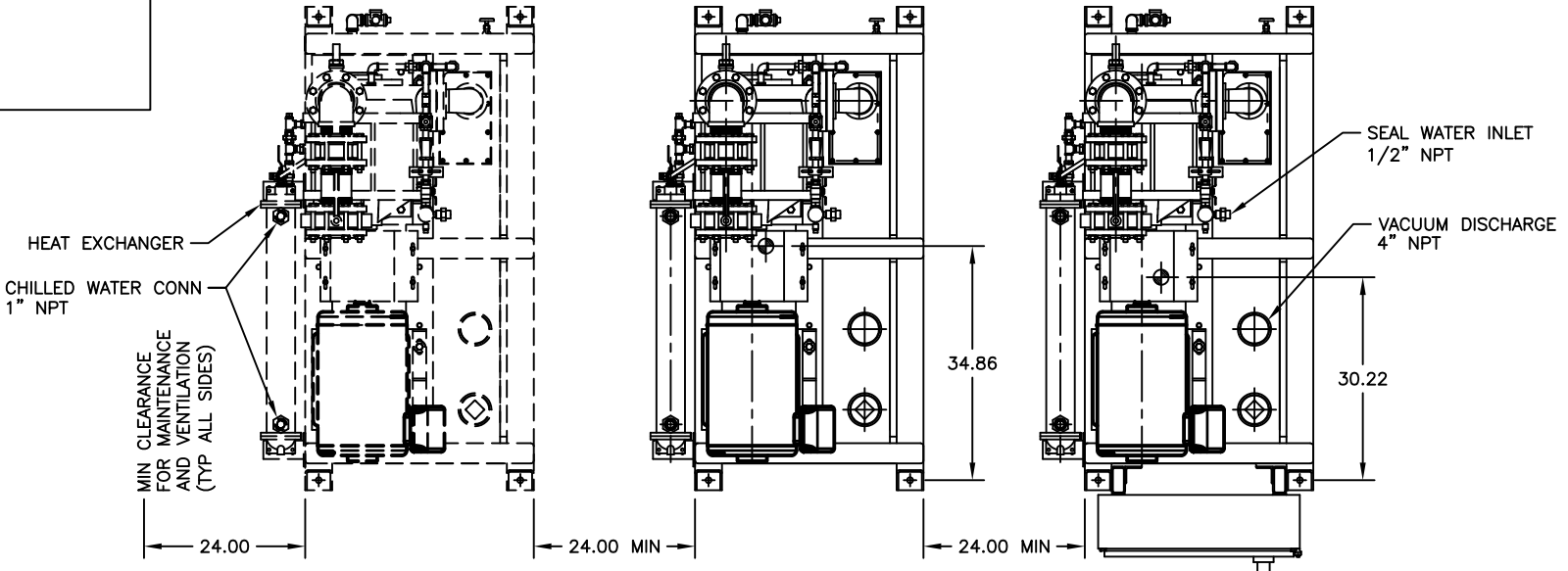
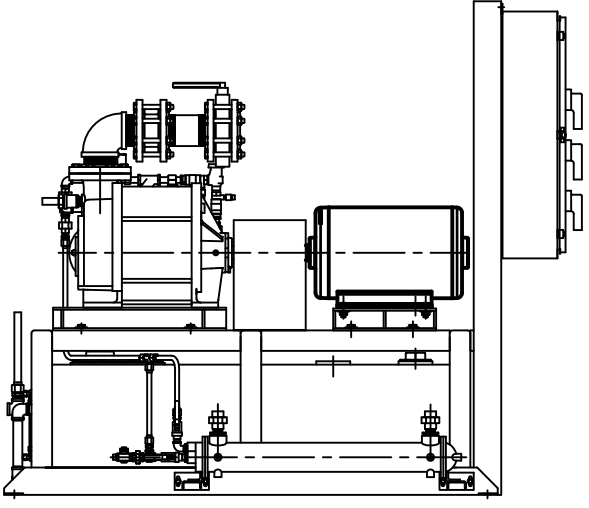


REAR VIEW
TYPICAL

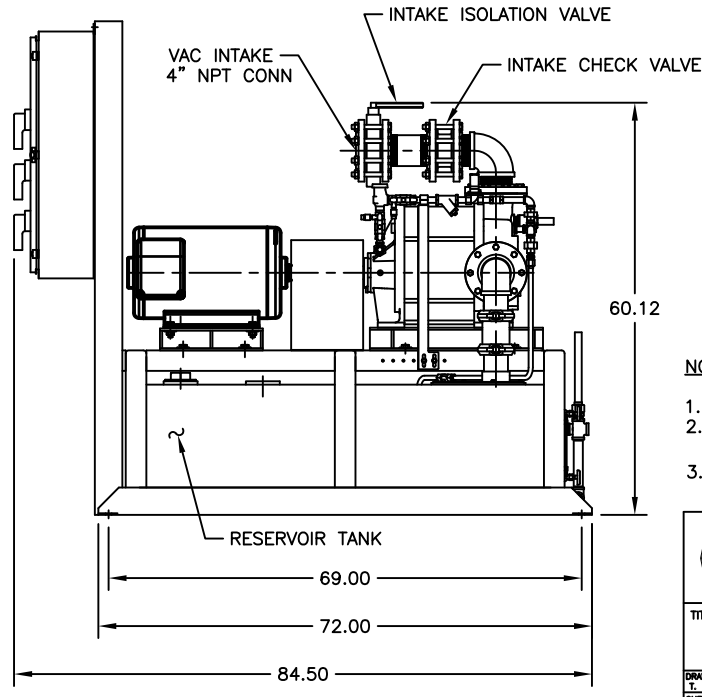
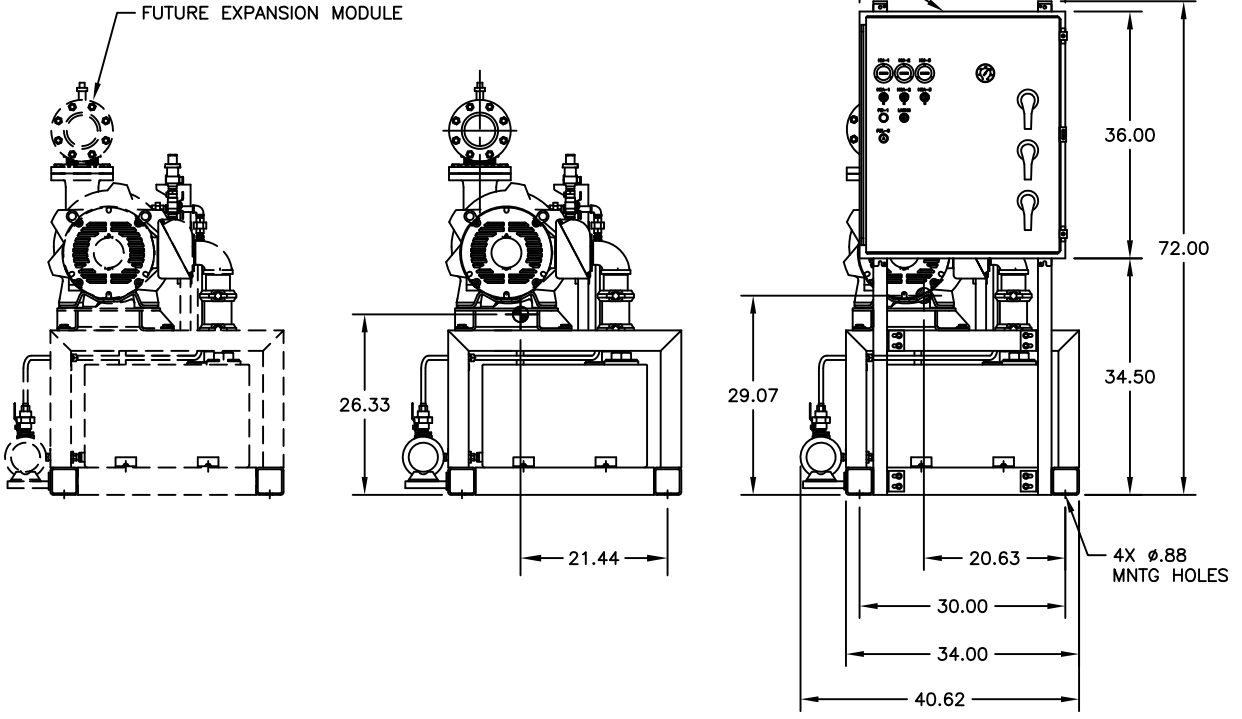
MODEL NUMBER	UNIT (HP)	PUMP MODEL	RECEIVER (GALLONS)	WEIGHT (lbs.)		
				SIMPLEX MODULE	SIMPLEX MODULE WITH CONTROL PANEL	RECEIVER MODULE
LVS-30D-RC400V-T	30	GL-100	400	1907	2175	650



VACUUM RECEIVER DETAIL
ALL RECEIVER PIPING AND BYPASS VALVING BY CONTRACTOR



EXPANSION MODULE REMOVED FOR CLARITY



- NOTE:
1. FLEX HOSES ARE SHIPPED LOOSE.
 2. ALL WIRING AND INTAKE MANIFOLD BETWEEN MODULES SUPPLIED BY OTHERS.
 3. Ⓞ INDICATES CENTER OF GRAVITY.



TITLE:
LL DPX-EXP-TPX CAMEL TYPE 2 VAC SYS
GENERAL ASSEMBLY - GL-100/30HP

DRAWN BY: T. FELLER	DATE: 12/22/05	This drawing and the information contained therein remain the property of BeaconMedes and may not be used for other than the purpose for which it is loaned without the expressed written permission from BeaconMedes Engineering.
CHECKED BY:	DATE:	
REVISED BY: B.M.	DATE: 11/11/10	DRAWING NO. DIA 24 233X
SCALE: 1/14	D	REV. C