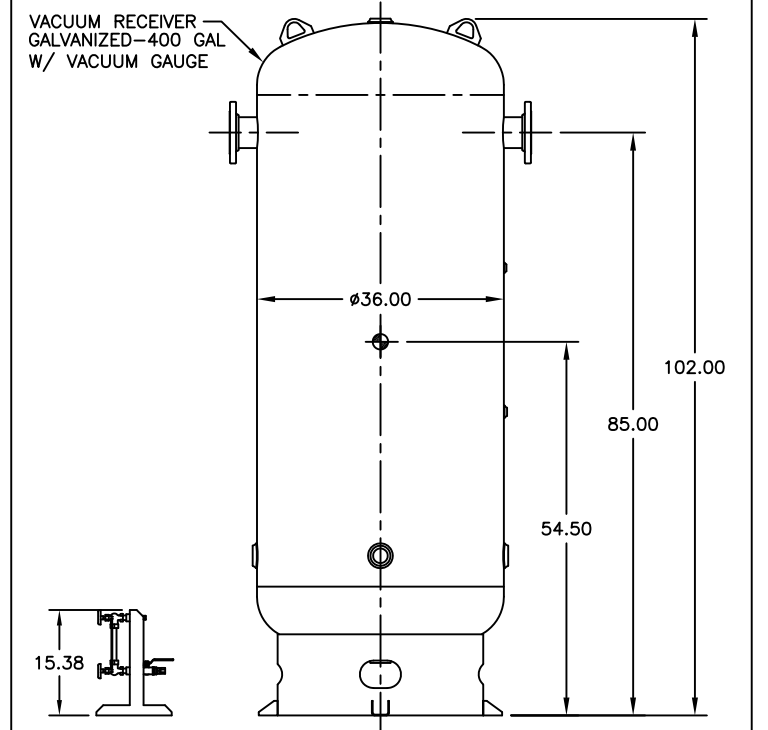
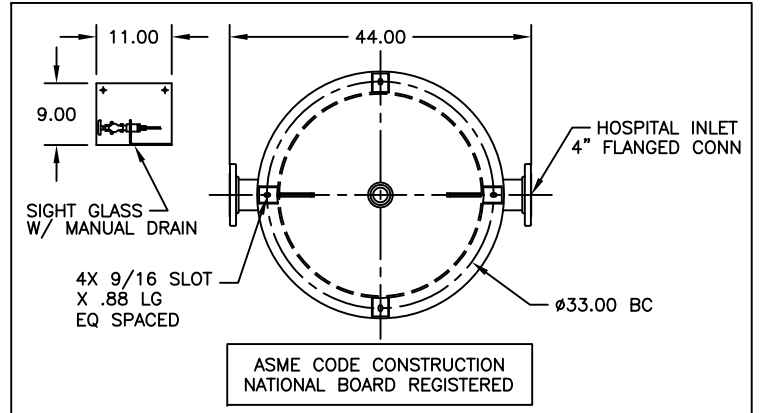
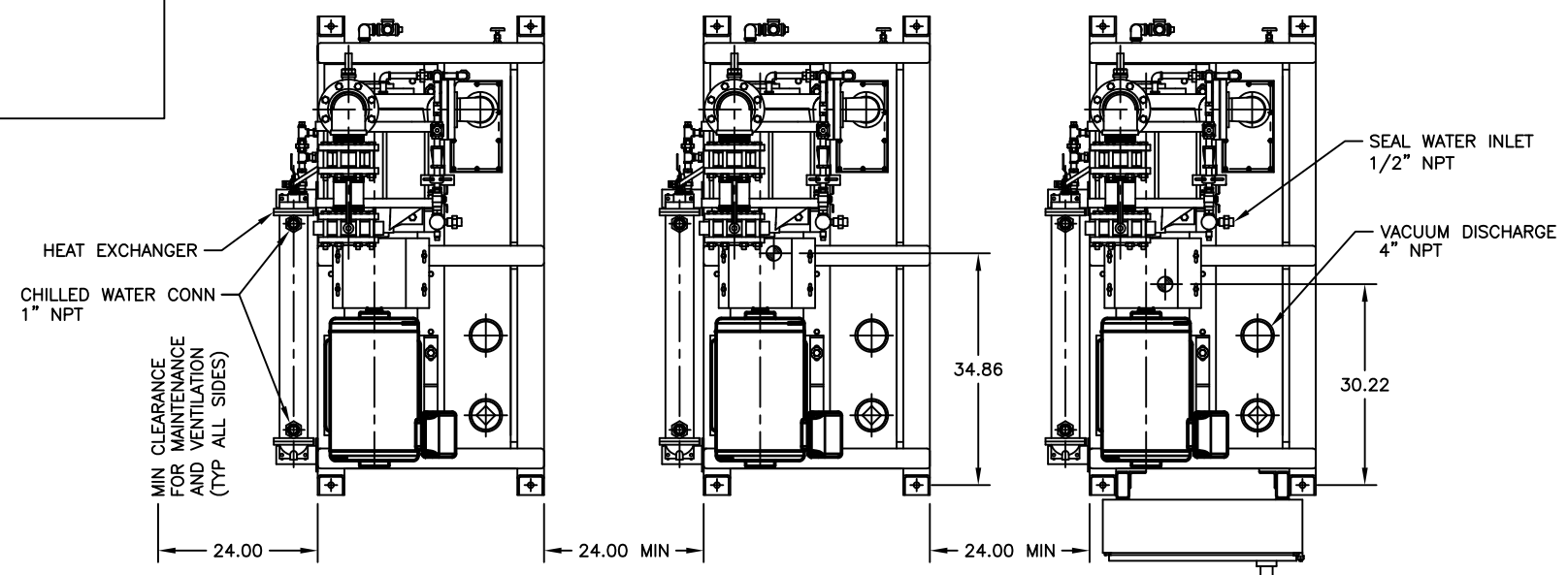
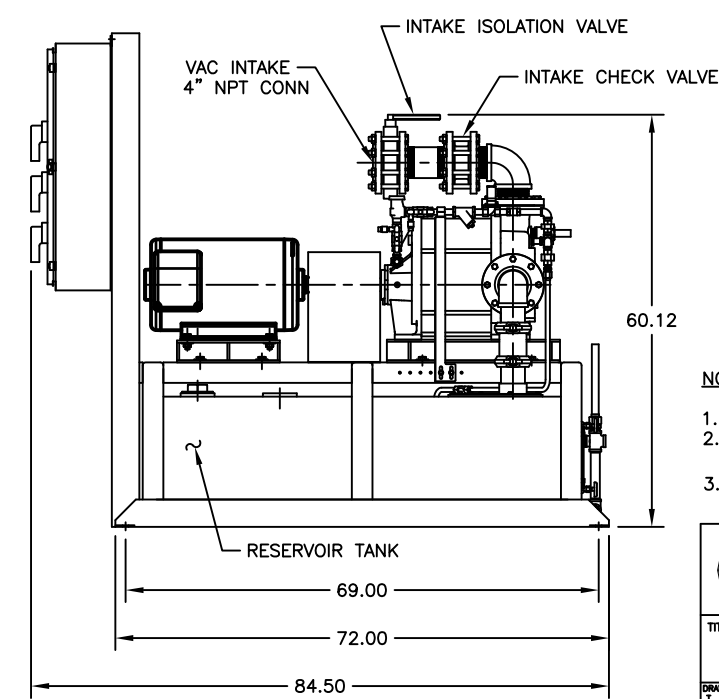
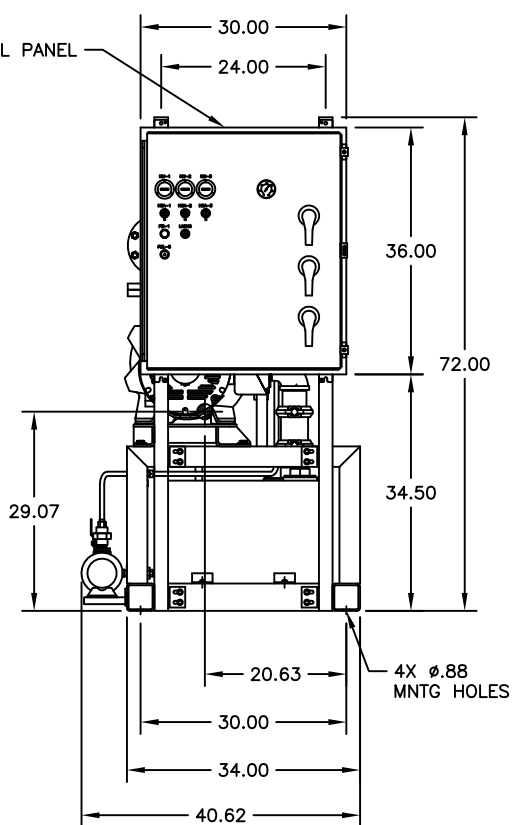
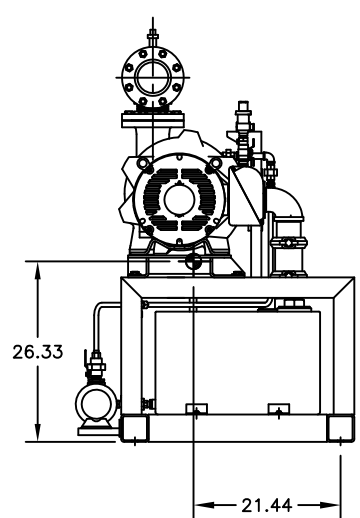
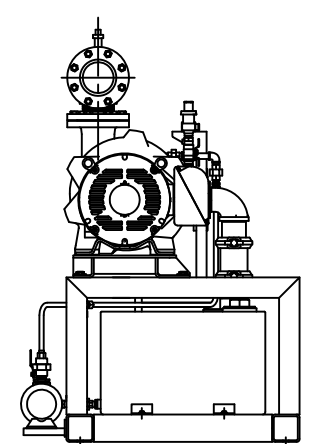
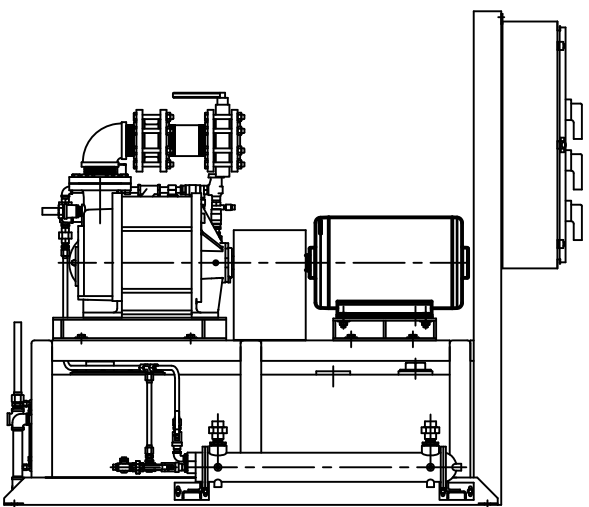


REAR VIEW
3 PLACES

MODEL NUMBER	UNIT (HP)	PUMP MODEL	RECEIVER (GALLONS)	WEIGHT (lbs.)		
				SIMPLEX MODULE	SIMPLEX MODULE WITH CONTROL PANEL	RECEIVER MODULE
LVS-30T-RC400V	30	GL-100	400	1907	2175	650



VACUUM RECEIVER DETAIL
ALL RECEIVER PIPING AND BYPASS VALVING BY CONTRACTOR



- NOTE:
1. FLEX HOSES ARE SHIPPED LOOSE.
 2. ALL WIRING AND INTAKE MANIFOLD BETWEEN MODULES SUPPLIED BY OTHERS.
 3. ⦿ INDICATES CENTER OF GRAVITY.

BEACONMEDS

TITLE:
LL TPX CAMEL TYPE 2 VACUUM SYSTEM
GENERAL ASSEMBLY - GL-100/30HP

DRAWN BY: T. FELLER	DATE: 08/29/05	This drawing and the information contained therein remain the property of BeaconMedes and may not be used for other than the purpose for which it is loaned without the expressed written permission from BeaconMedes Engineering.
CHECKED BY:	DATE:	
REVISED BY: B.M.	DATE: 11/11/10	DRAWING NO. DIA 24 233
SCALE: 1/14	D	REV. C