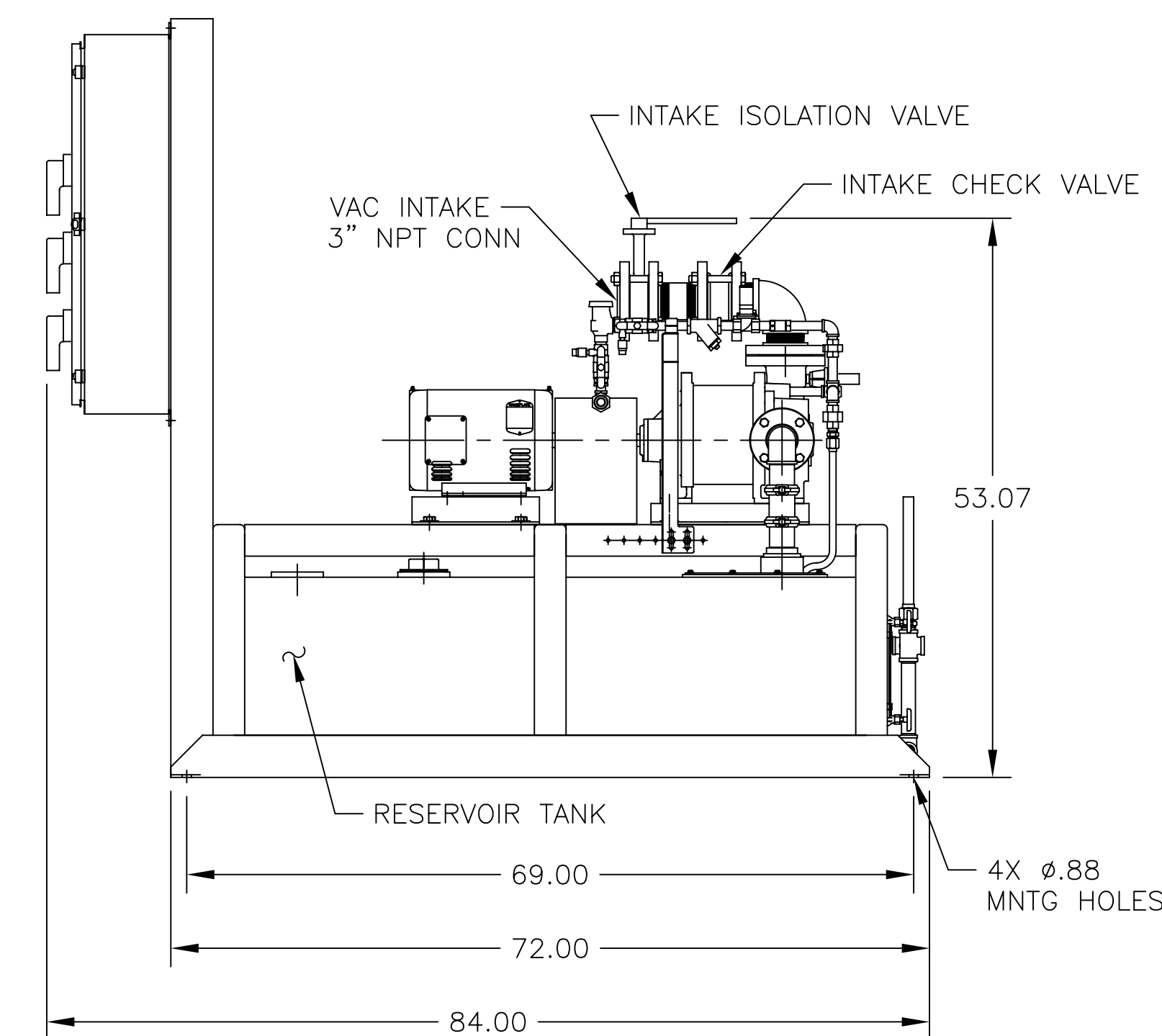
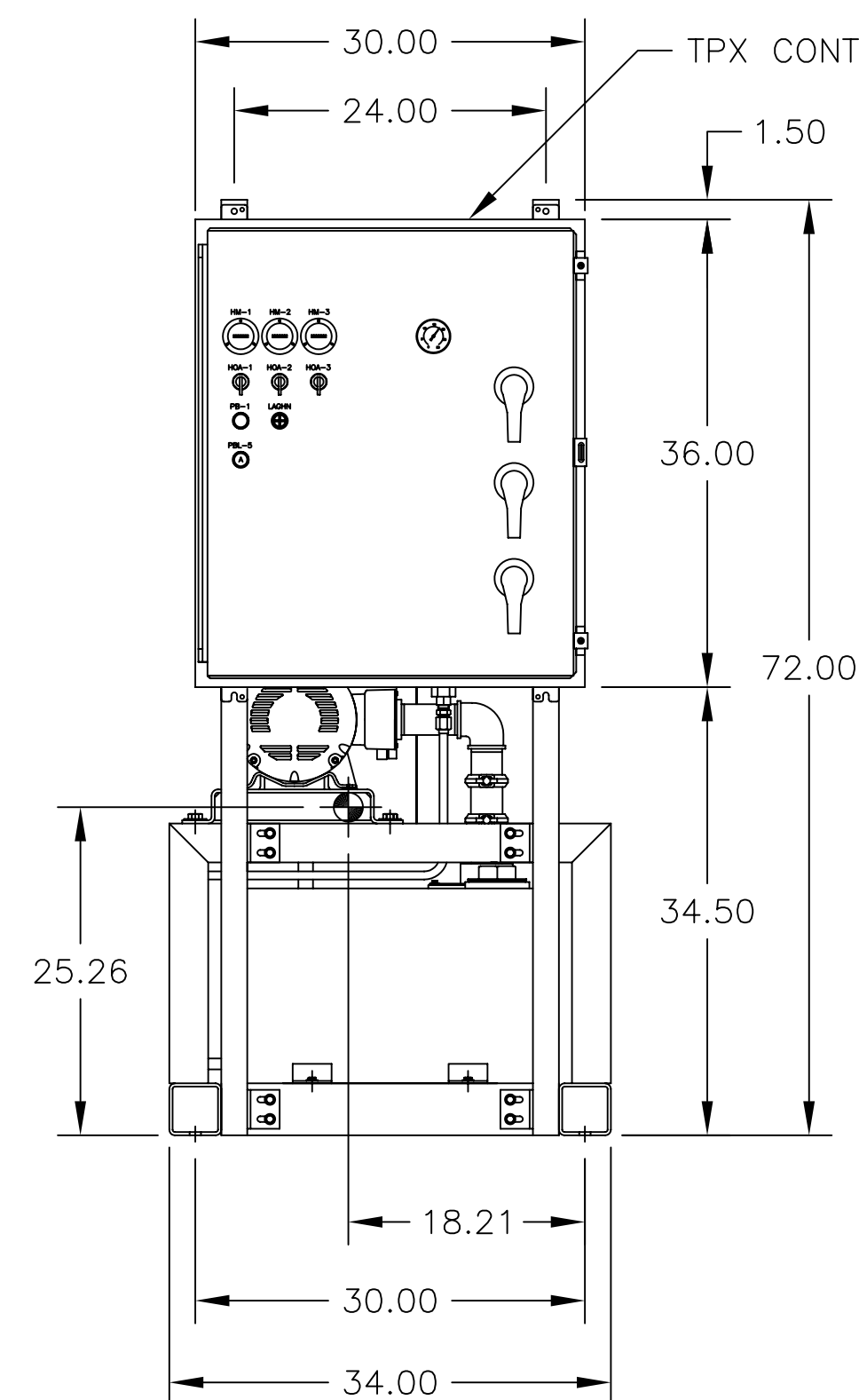
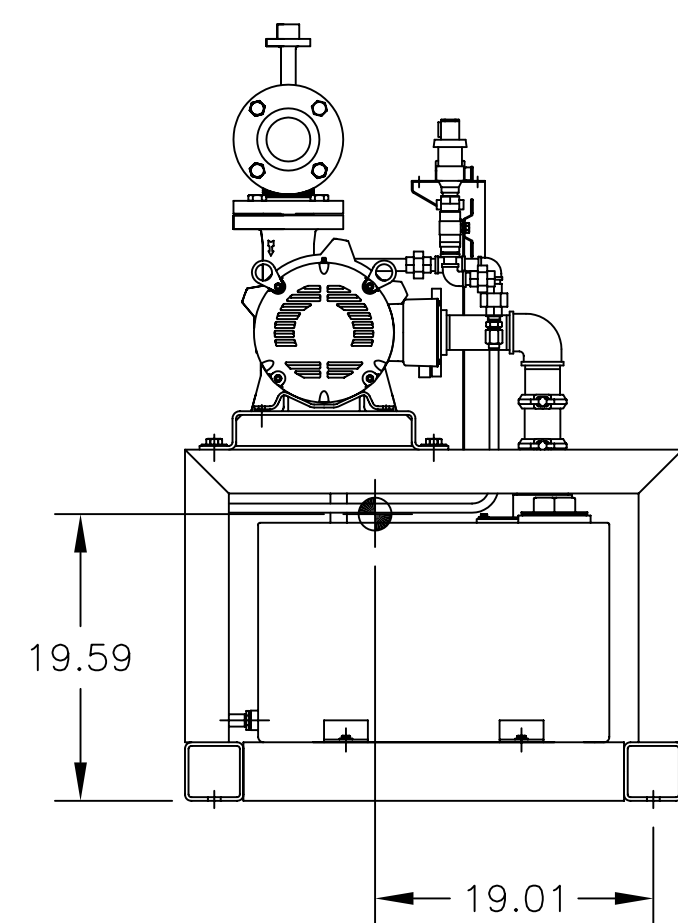
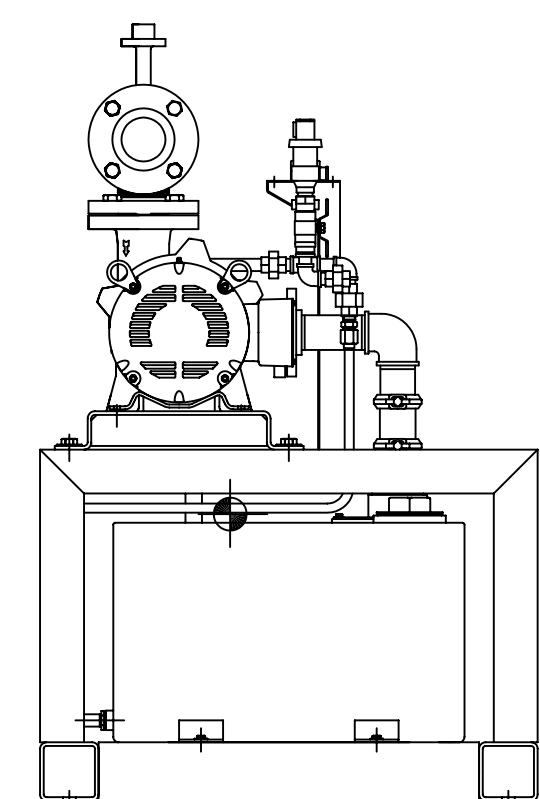
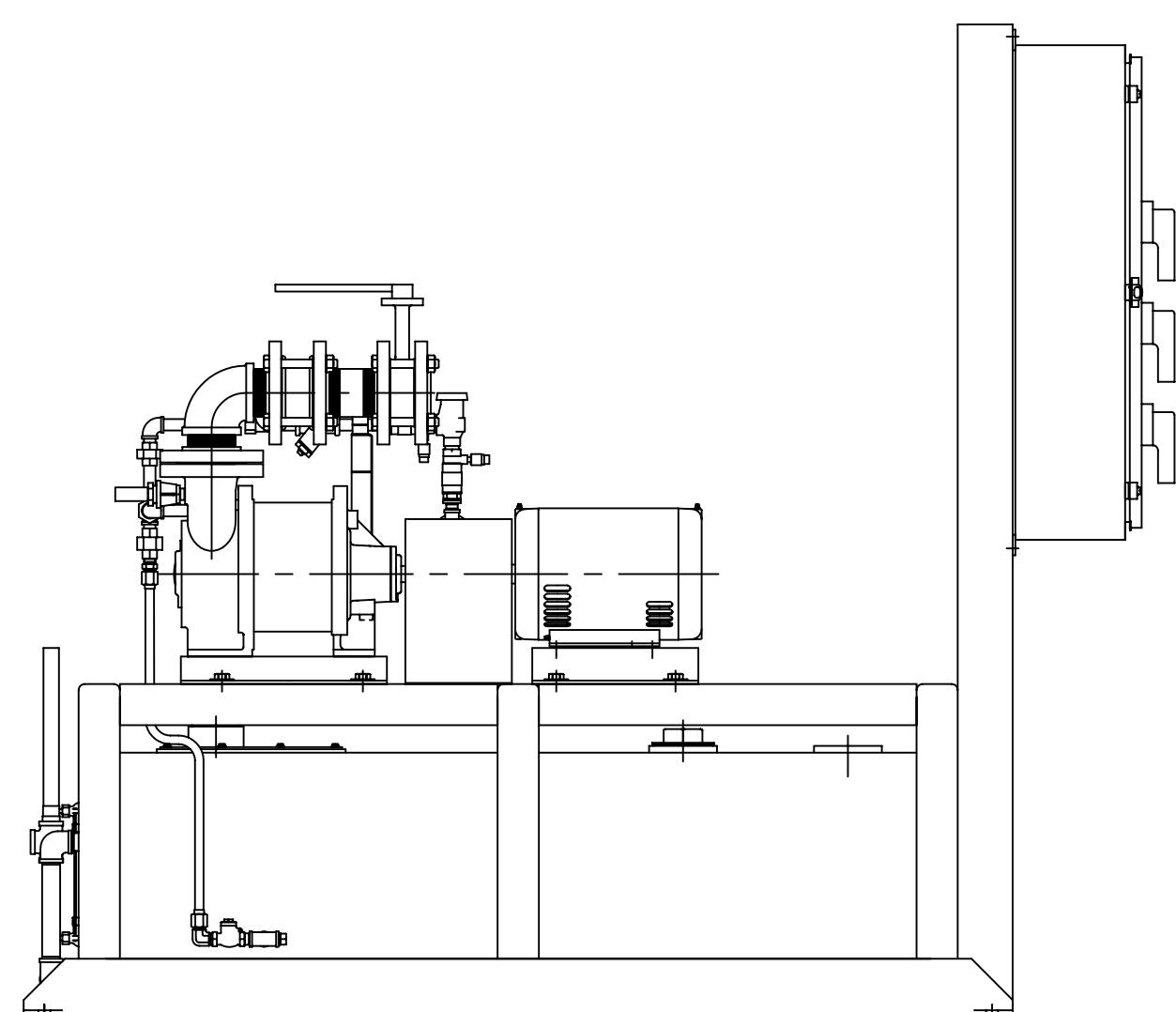
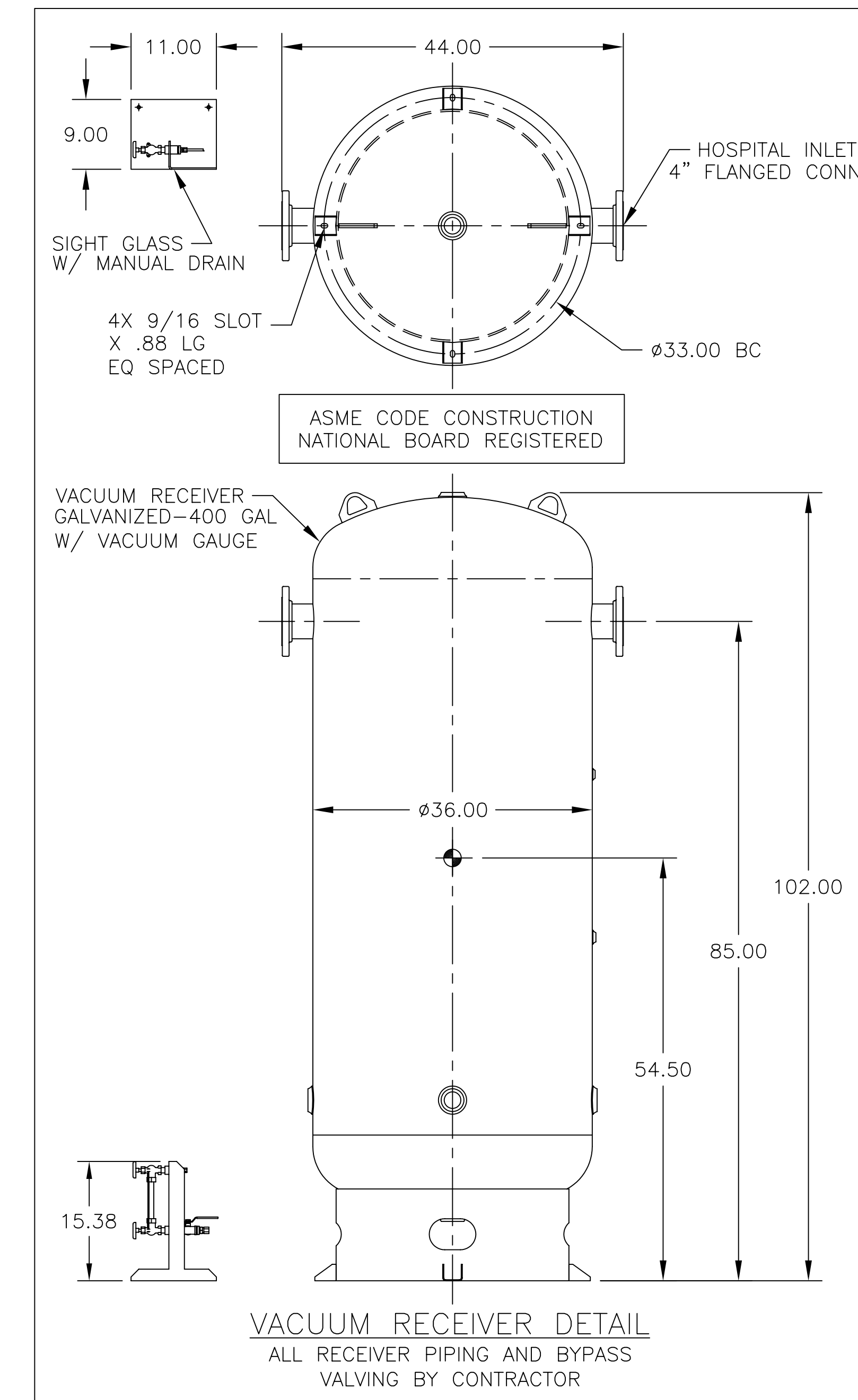
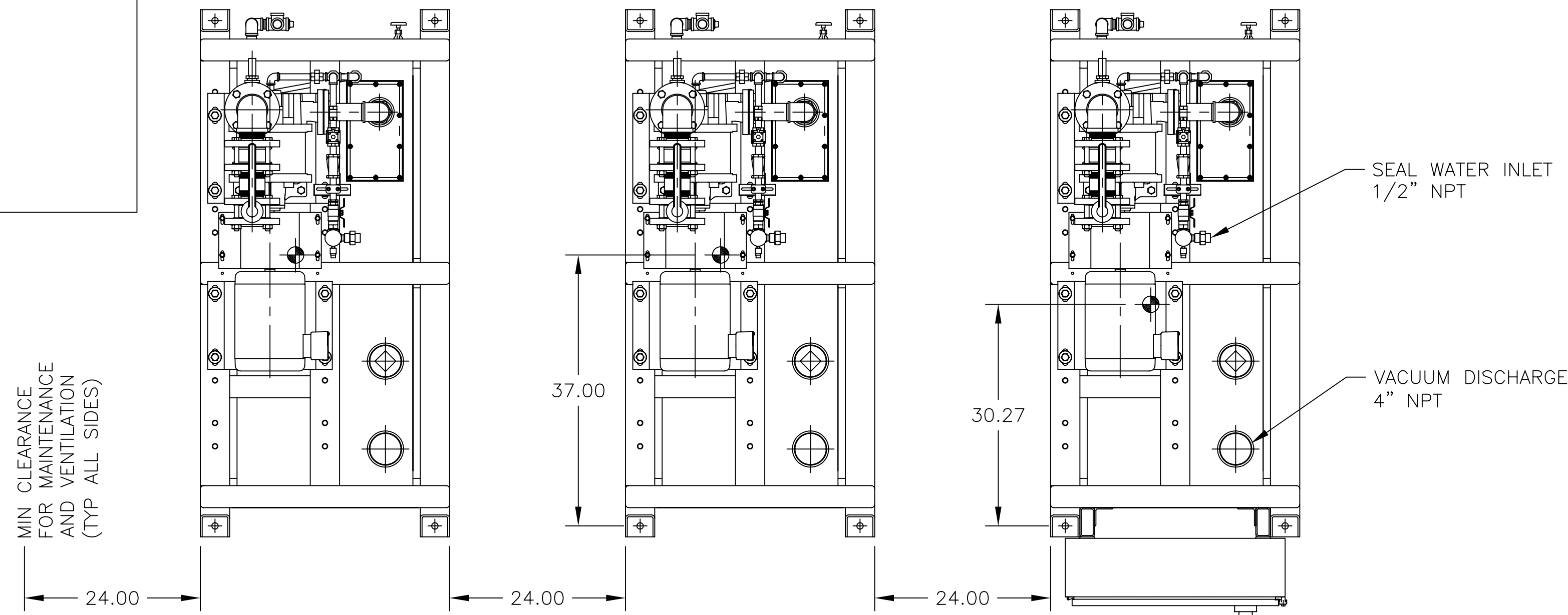


| MODEL NUMBER   | UNIT (HP) | PUMP MODEL | RECEIVER (GALLONS) | WEIGHT (lbs.)  |                                   |                 |
|----------------|-----------|------------|--------------------|----------------|-----------------------------------|-----------------|
|                |           |            |                    | SIMPLEX MODULE | SIMPLEX MODULE WITH CONTROL PANEL | RECEIVER MODULE |
| LVS-10T-RC400V | 10        | GL-35      | 400                | 1124           | 1392                              | 650             |



- NOTE:**
1. FLEX HOSES ARE SHIPPED LOOSE.
  2. ALL WIRING AND INTAKE MANIFOLD BETWEEN MODULES SUPPLIED BY OTHERS.
  3. ⦿ INDICATES CENTER OF GRAVITY.



TITLE:  
LL TPX CAMEL TYPE 2 VACUUM SYSTEM  
GENERAL ASSEMBLY - GL-35/10HP

|                           |                   |  |
|---------------------------|-------------------|--|
| DRAWN BY:<br>T. FELLER    | DATE:<br>09/01/05 | This drawing and the information contained thereon remain the property of BeaconMedaes and may not be used for other than the purpose for which it is loaned without the expressed written permission from BeaconMedaes Engineering. |
| CHECKED BY:<br>T. CONNER  | DATE:<br>09/01/05 |  |
| REVISED BY:<br>T. FELLER  | DATE:<br>01/29/08 |  |
| SCALE:<br>1/14            | D                 |  |
| DRAWING NO.<br>DIA 24 206 |                   | REV.<br>B  |