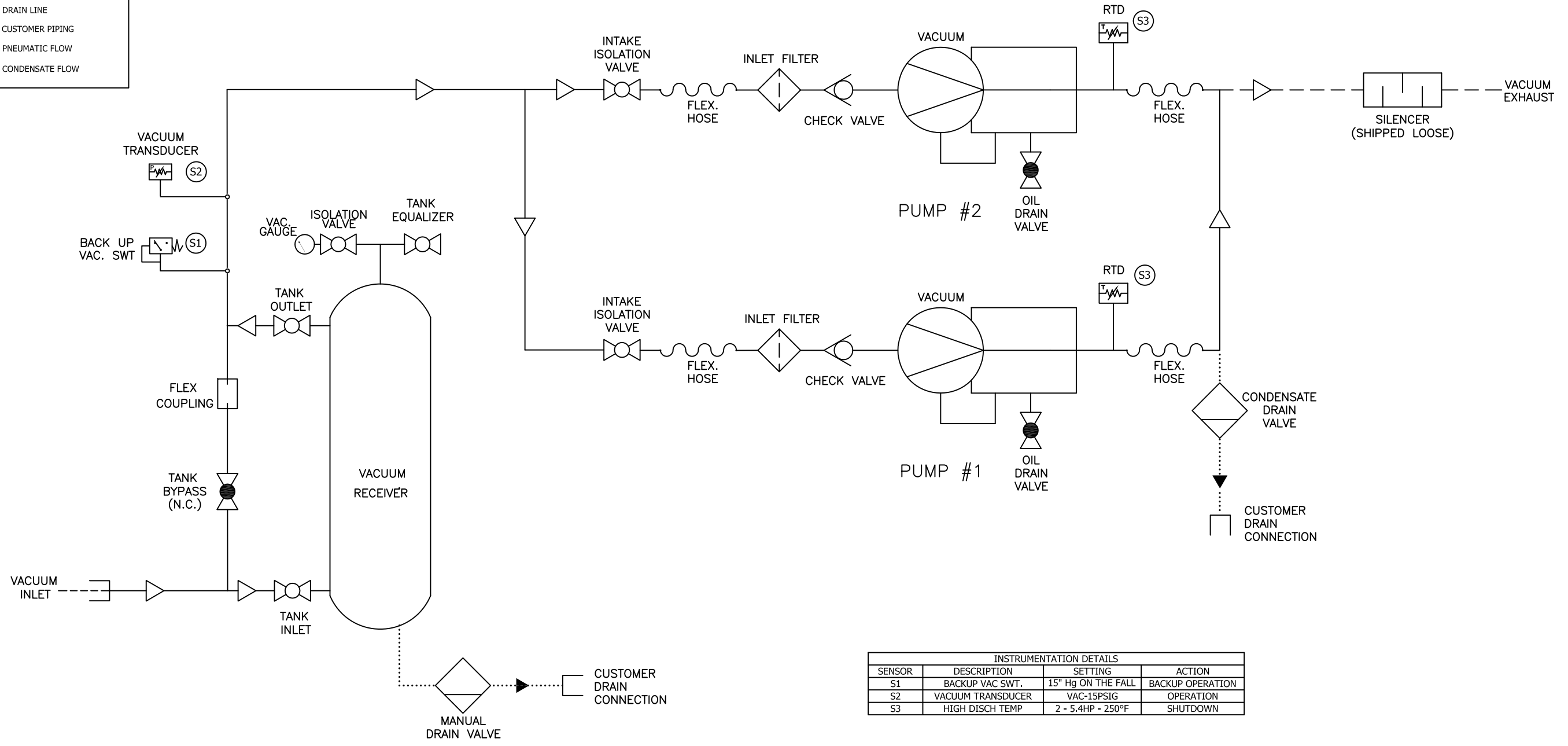
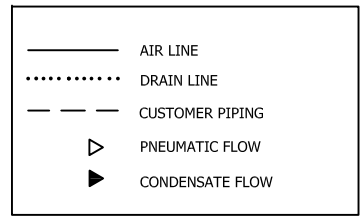


This drawing and the information contained thereon remain the property of BeaconMedas and may not be used for other than the purpose for which it is loaned without the expressed written permission from BeaconMedas Engineering.



INSTRUMENTATION DETAILS			
SENSOR	DESCRIPTION	SETTING	ACTION
S1	BACKUP VAC SWT.	15" Hg ON THE FALL	BACKUP OPERATION
S2	VACUUM TRANSDUCER	VAC-15PSIG	OPERATION
S3	HIGH DISCH TEMP	2 - 5.4HP - 250°F	SHUTDOWN

Revised:	Date:	Drawn: JDY	Date: 01/12/10
		UNLESS OTHERWISE SPECIFIED ALL DIMENSIONS ARE IN INCHES AND TOLERANCES ARE: XX ±.02 XXXX ±.005 XXX ±.005 ANGLES ±.5	
Description: PNEUMATIC DIAGRAM 2-5.4HP DX CLAW VAC STACK MOUNT STANDARD & O2 ASSURED		Part Number: 4107 8518 09 UN: USN100018 rev: 00 Sheet 1 of 1 DO NOT SCALE THIS DOCUMENT	