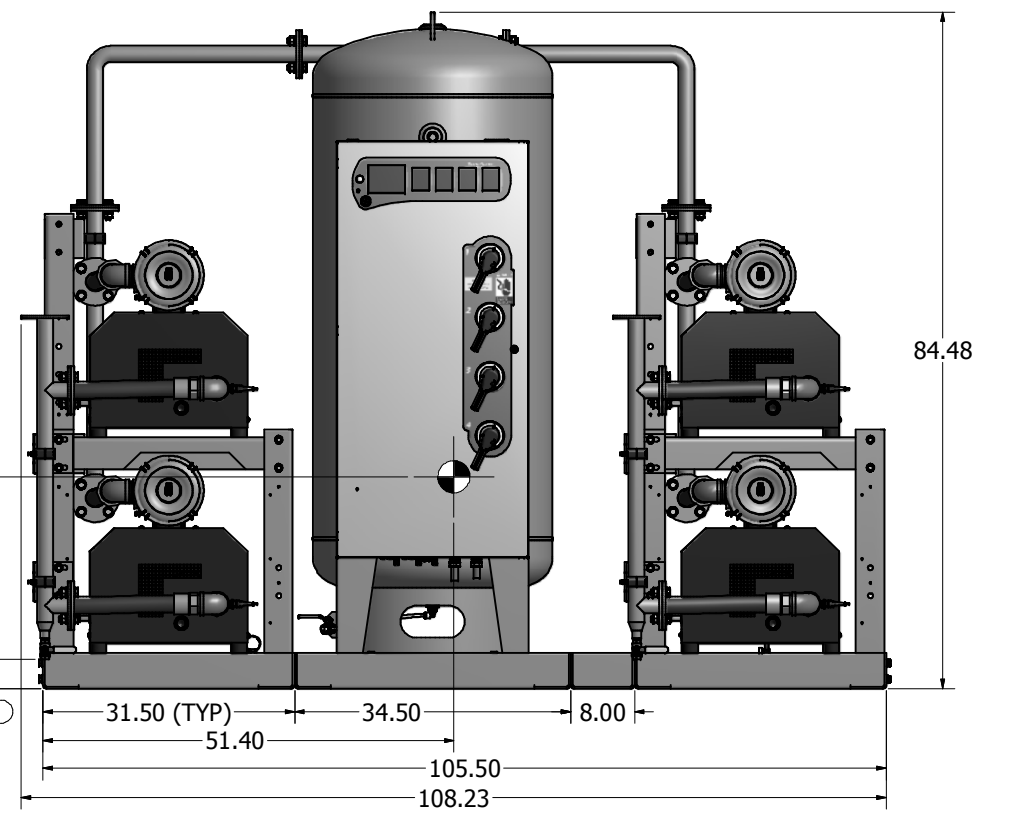
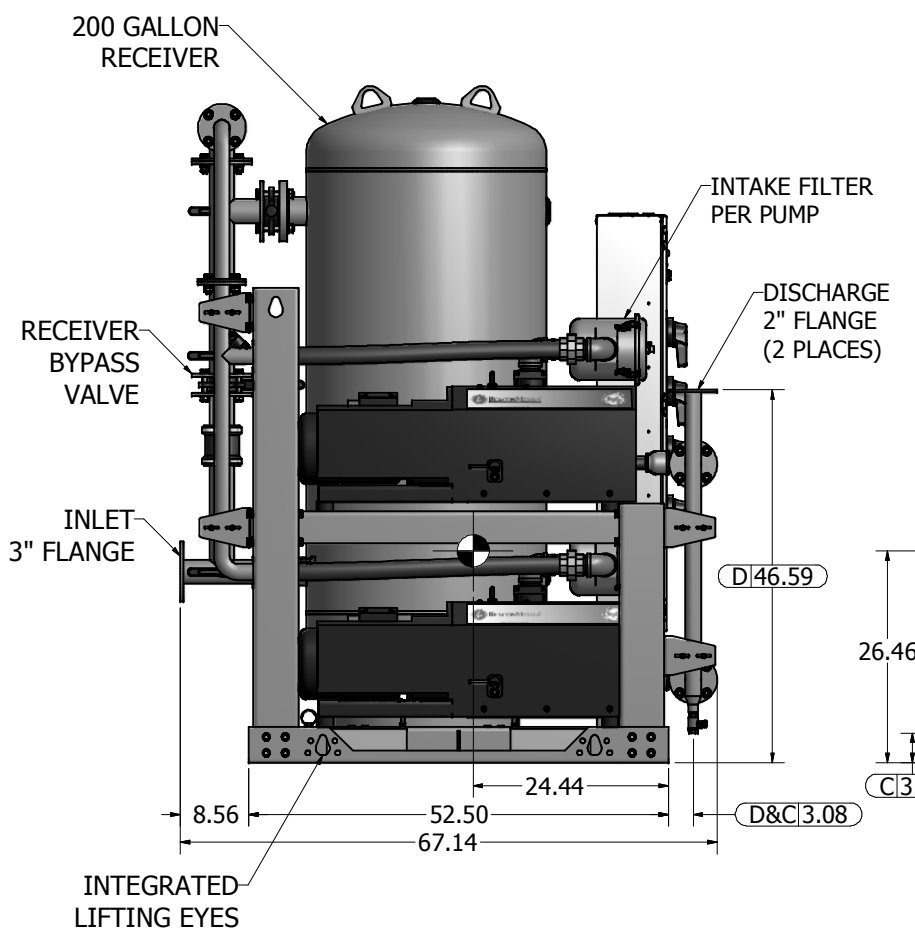
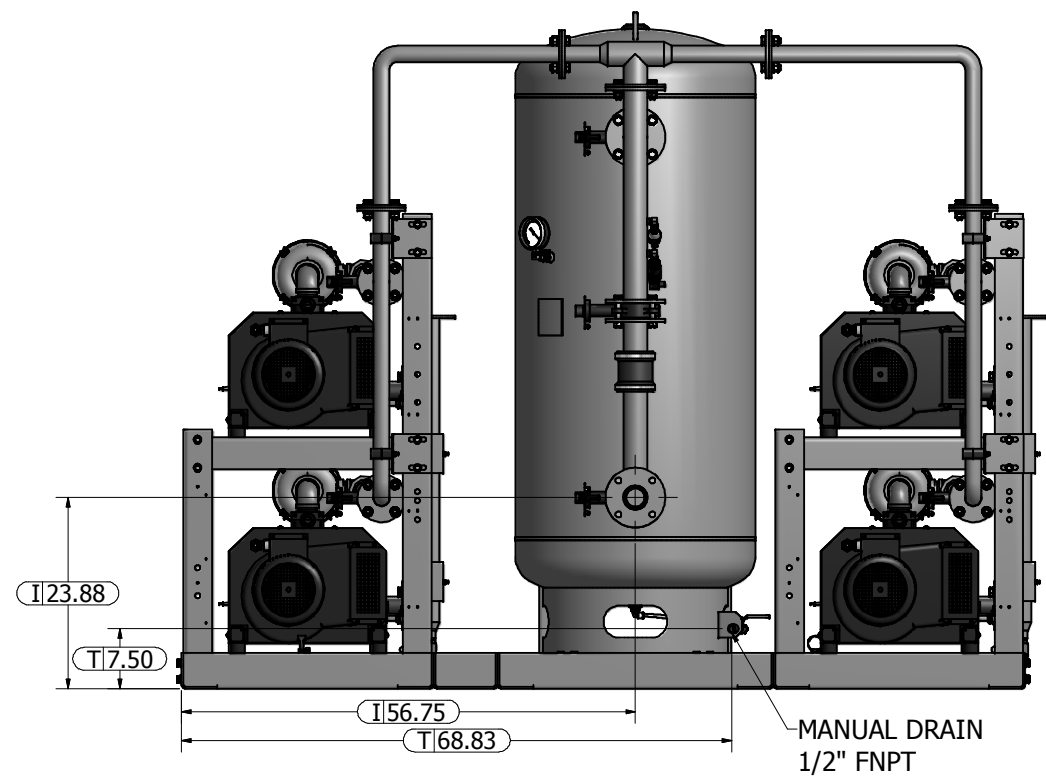
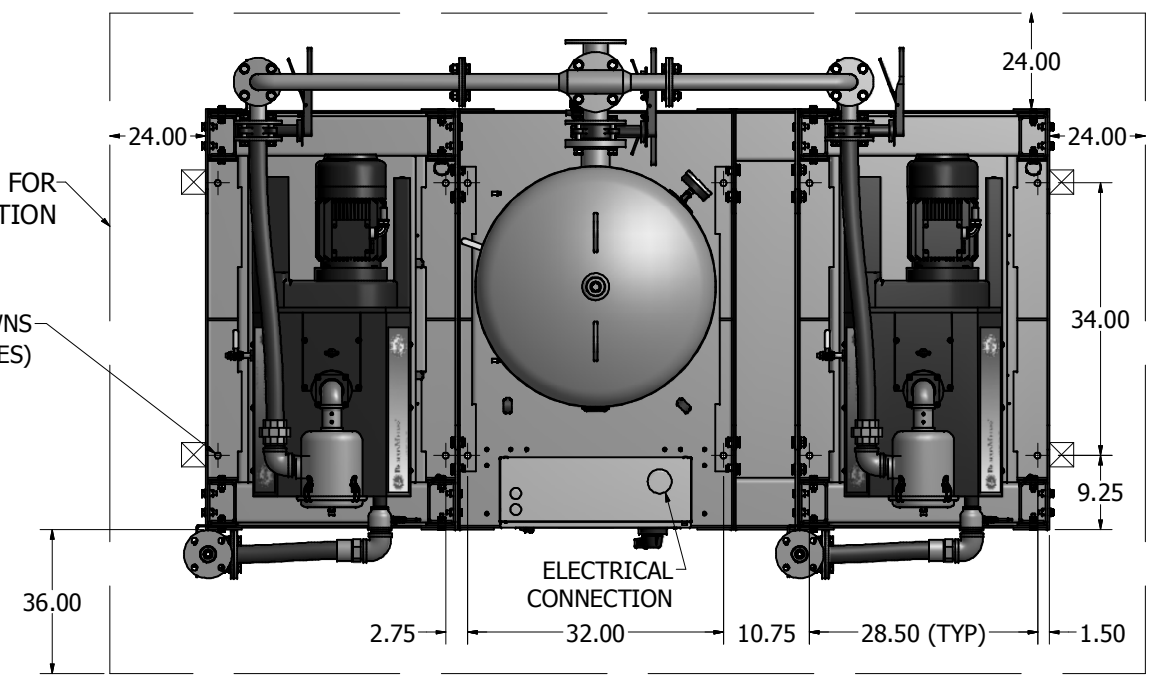


Notes:

- 1. DISCHARGE MUFFLERS WILL BE SHIPPED LOOSE.
- 2. SYSTEM WEIGHT: 4,501 LBS.
- 3. ☒ INDICATES LIFTING POINT.
- 4. ● DENOTES CENTER OF GRAVITY.

SYSTEM CONNECTIONS	
ID	DESCRIPTION
I	INLET LOCATION
D	DISCHARGE LOCATION
C	CONDENSATE DRAIN LOCATION
T	TANK DRAIN LOCATION



Revised:	Date:	Drawn: MDB	Date: 2/4/2010
BEACONMEDES		This drawing and the information contained therein remain the property of BeaconMedes and may not be used for other than the purpose for which it is loaned without the expressed written permission from BeaconMedes Engineering.	
Description: GENERAL ASSEMBLY 8.7HP QX CLAW VAC SPC 200G RECEIVER STANDARD & O2 ASSURED			Part Number: 4107 8513 86
DN: USN090195		Rev: 00	
Sheet 1 of 1		DO NOT SCALE THIS DOCUMENT	