

NOTES:
 1. DISCHARGE MUFFLERS WILL BE SHIPPED LOOSE.

2. DX MODULE WEIGHT: 2,291 LBS.
 SX MODULE WEIGHT: 1,219 LBS
 (FUTURE EXPANSION MODULE)

240G TANK WEIGHT: 733 LBS

CONTROL PANEL WEIGHT: 215 LBS.

3. ☒ INDICATES LIFTING POINT.

4. ● DENOTES CENTER OF GRAVITY.

| SYSTEM CONNECTIONS | |
|--------------------|---------------------------|
| ID | DESCRIPTION |
| I | INLET LOCATION |
| D | DISCHARGE LOCATION |
| C | CONDENSATE DRAIN LOCATION |
| T | TANK DRAIN LOCATION |

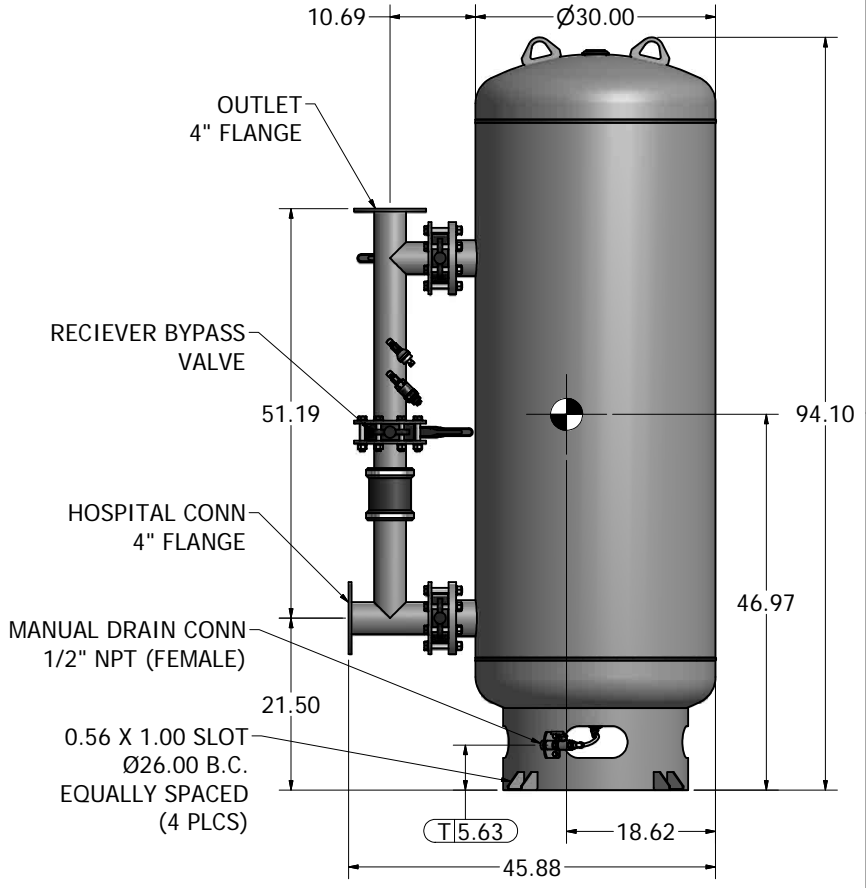
MINIMUM CLEARANCE FOR
 MAINTENANCE & VENTILATION

REMOVE INTAKE MANIFOLD
 BEFORE LIFTING
 (3 PLACES)

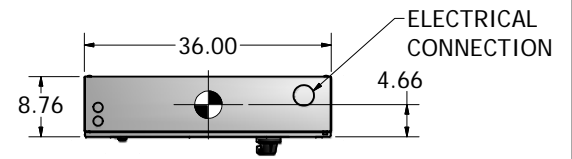
REMOVE JUNCTION BOX
 BEFORE LIFTING
 (3 PLACES)

DISCHARGE
 3" FLANGE
 (3 PLACES)

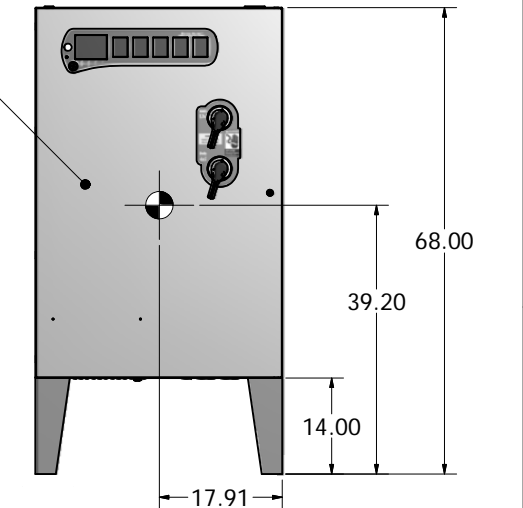
Ø0.75
 BOLTDOWN
 (12 PLACES)



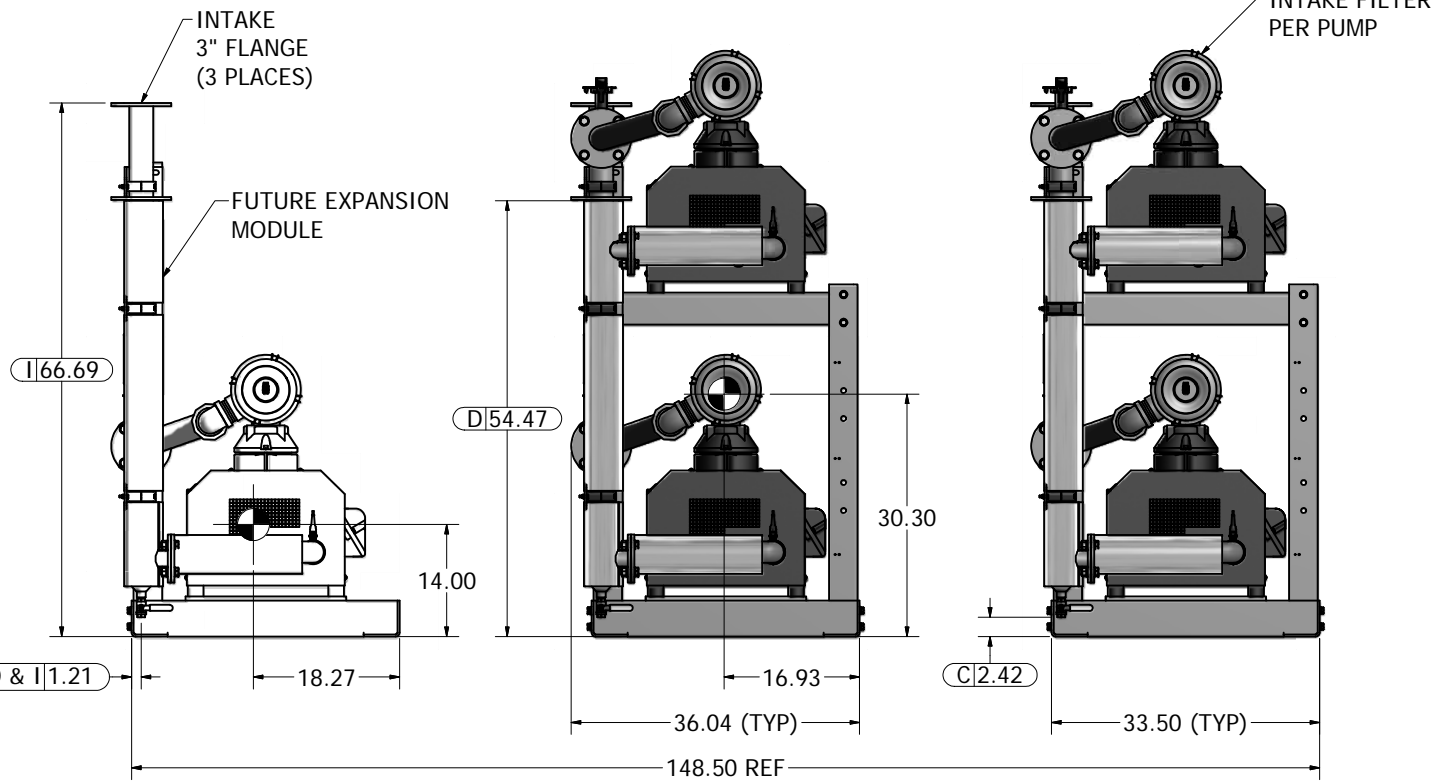
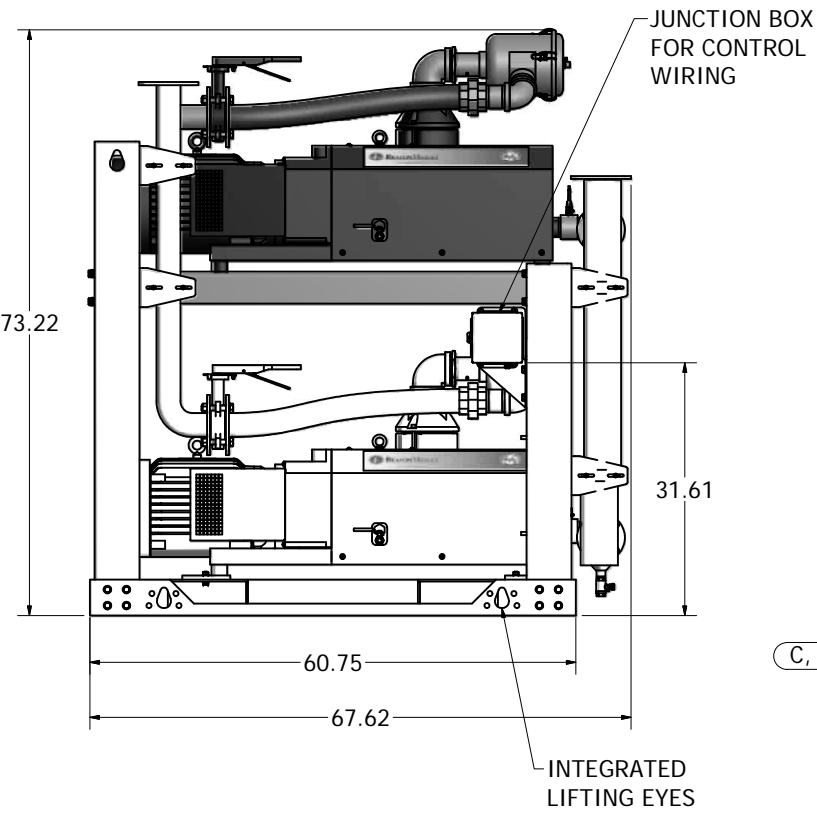
240 GAL VACUUM RECEIVER
 4" FLANGED CONNECTIONS
 (SCALE 1:12)



ALLOW 36" IN FRONT
 OF CONTROL PANEL
 FOR MAINTENANCE



CONTROL PANEL



| | | | |
|--|-------|--------------|--------------|
| Revised: | Date: | Drawn: | Date: |
| | | JWO | 01/22/2014 |
| This drawing and the information contained therein remain the property of BeaconMedaes and may not be used for other than the purpose for which it is loaned without the expressed written permission from BeaconMedaes Engineering. | | Scale: | 1:12 |
| Description: GENERAL ASSEMBLY 15HP OX-EXP-PX CLAW VAC MOD 240G RECEIVER STANDARD | | Part Number: | 4107 8549 47 |
| Sheet 1 of 1 | | Rev: | 00 |
| DO NOT SCALE THIS DOCUMENT | | | |