

Notes:

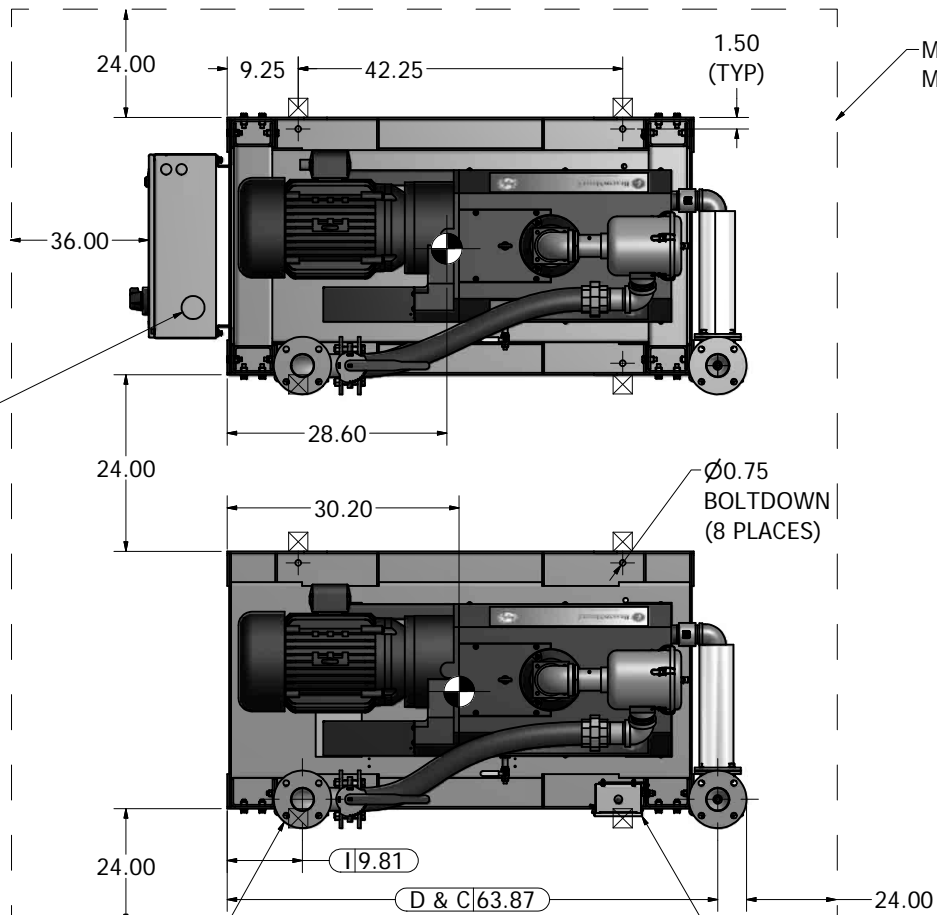
- DISCHARGE MUFFLERS WILL BE SHIPPED LOOSE.
- WEIGHT OF DUPLEX MODULE W/ PANEL: 2,333 LBS
WEIGHT OF SIMPLEX MODULE W/O PANEL: 1,219 LBS
200G TANK WEIGHT: 658 LBS
- ☒ INDICATES LIFTING POINT.
- DENOTES CENTER OF GRAVITY.

SYSTEM CONNECTIONS	
ID	DESCRIPTION
I	INLET LOCATION
D	DISCHARGE LOCATION
C	CONDENSATE DRAIN LOCATION
T	TANK DRAIN LOCATION

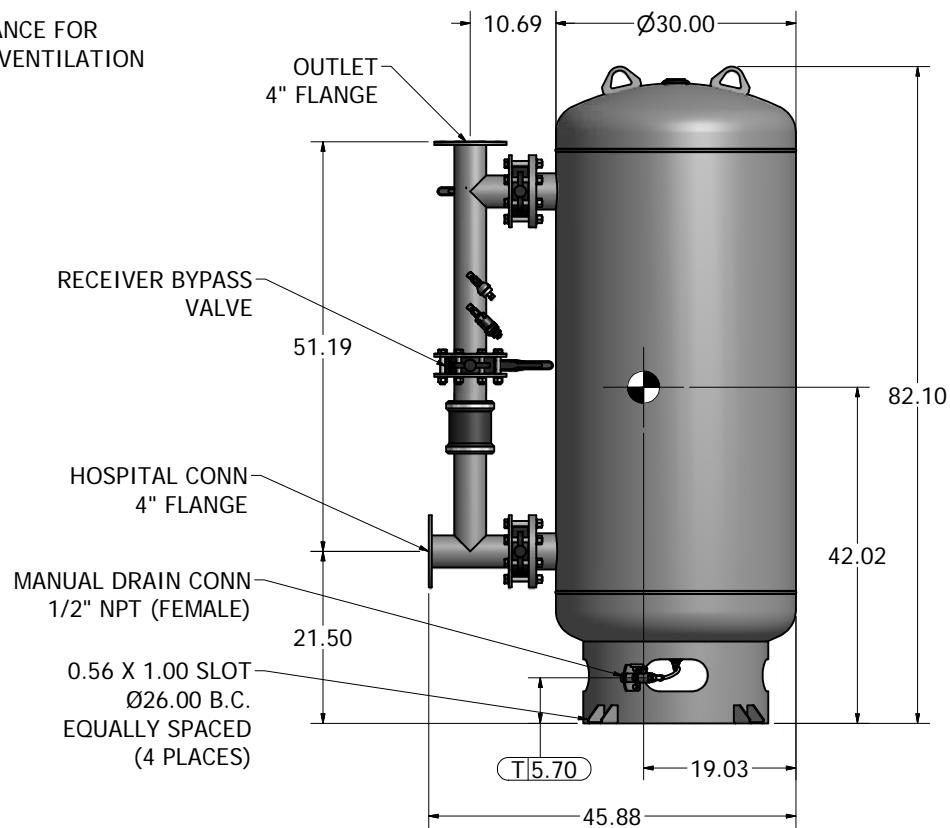
ELECTRICAL CONNECTION

REMOVE INTAKE MANIFOLD BEFORE LIFTING (2 PLACES)

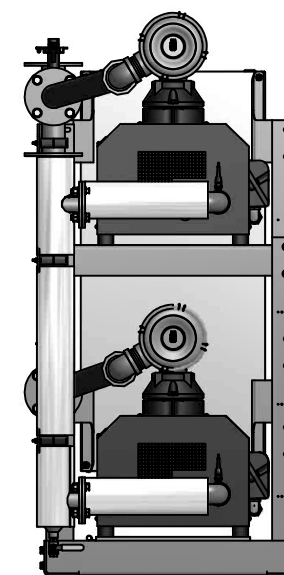
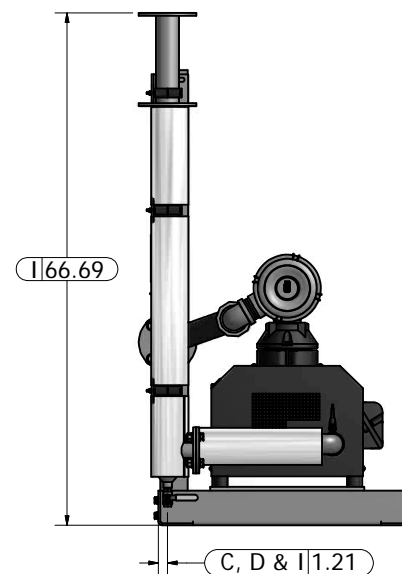
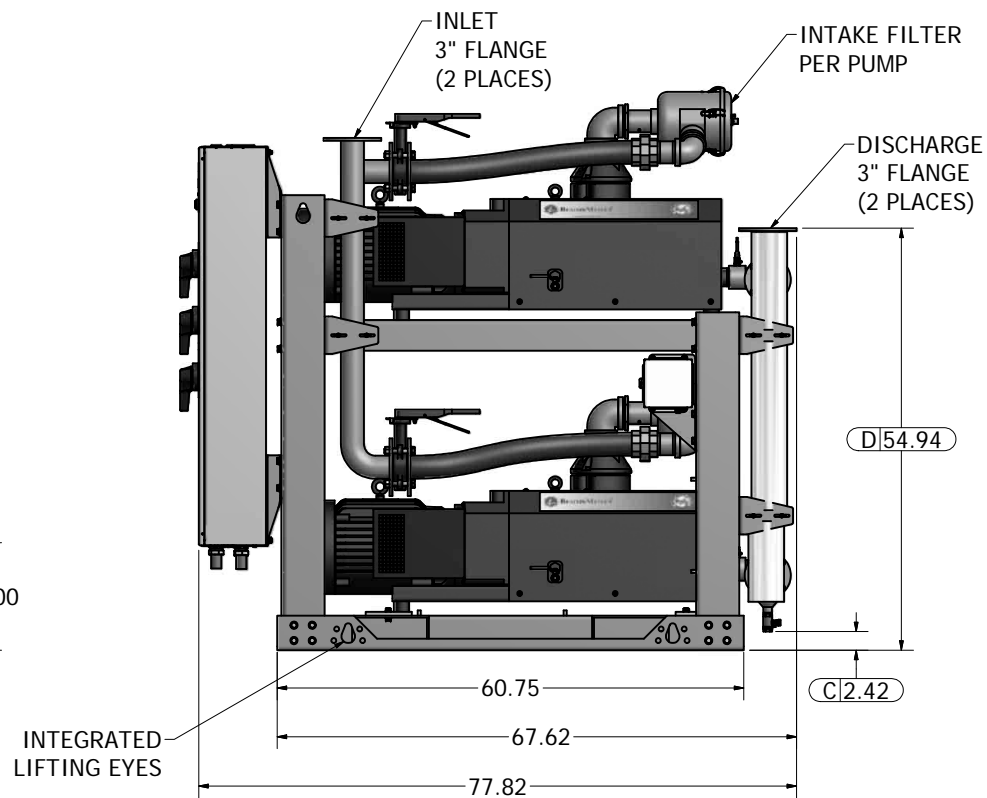
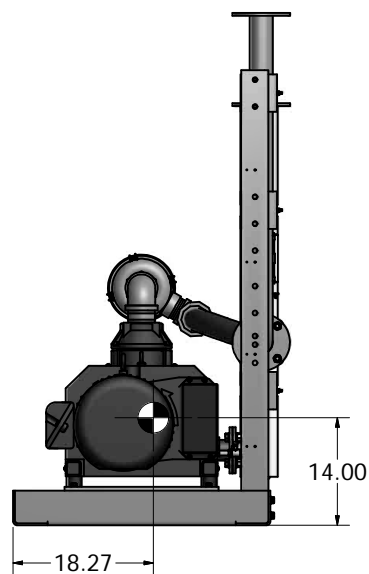
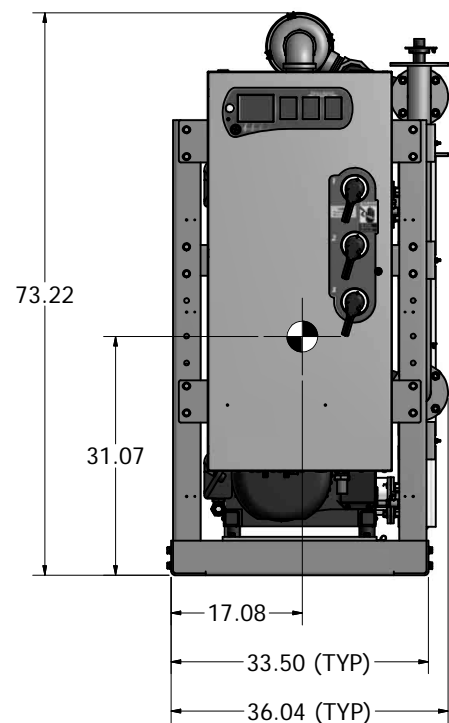
REMOVE JUNCTION BOX BEFORE LIFTING (LOCATED ON THIS MODULE ONLY)



MINIMUM CLEARANCE FOR MAINTENANCE & VENTILATION



200 GAL VACUUM RECEIVER
4" FLANGED CONNECTIONS
(SCALE 1:12)



Revised:	Date:	Drawn:	Date:
		JWO	02/07/2014
		This drawing and the information contained therein remain the property of BeaconMedes and may not be used for other than the purpose for which it is loaned without the expressed written permission from BeaconMedes Engineering.	
Description: GENERAL ASSEMBLY 15HP TX CLAW VAC MOD 200G RECEIVER STANDARD		Part Number: 4107 8549 04 DN: HOP131370 Rev: 00 Sheet 1 of 1 DO NOT SCALE THIS DOCUMENT	