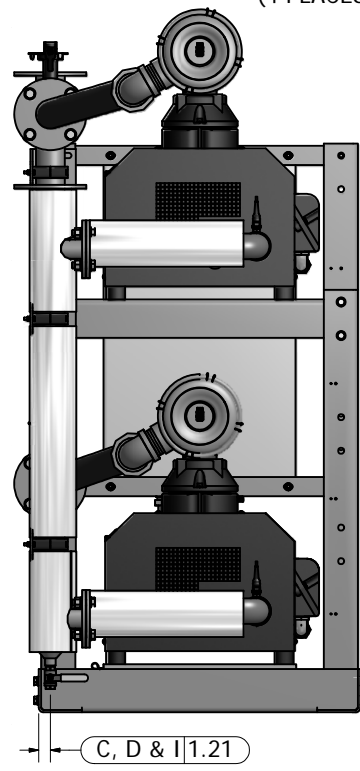
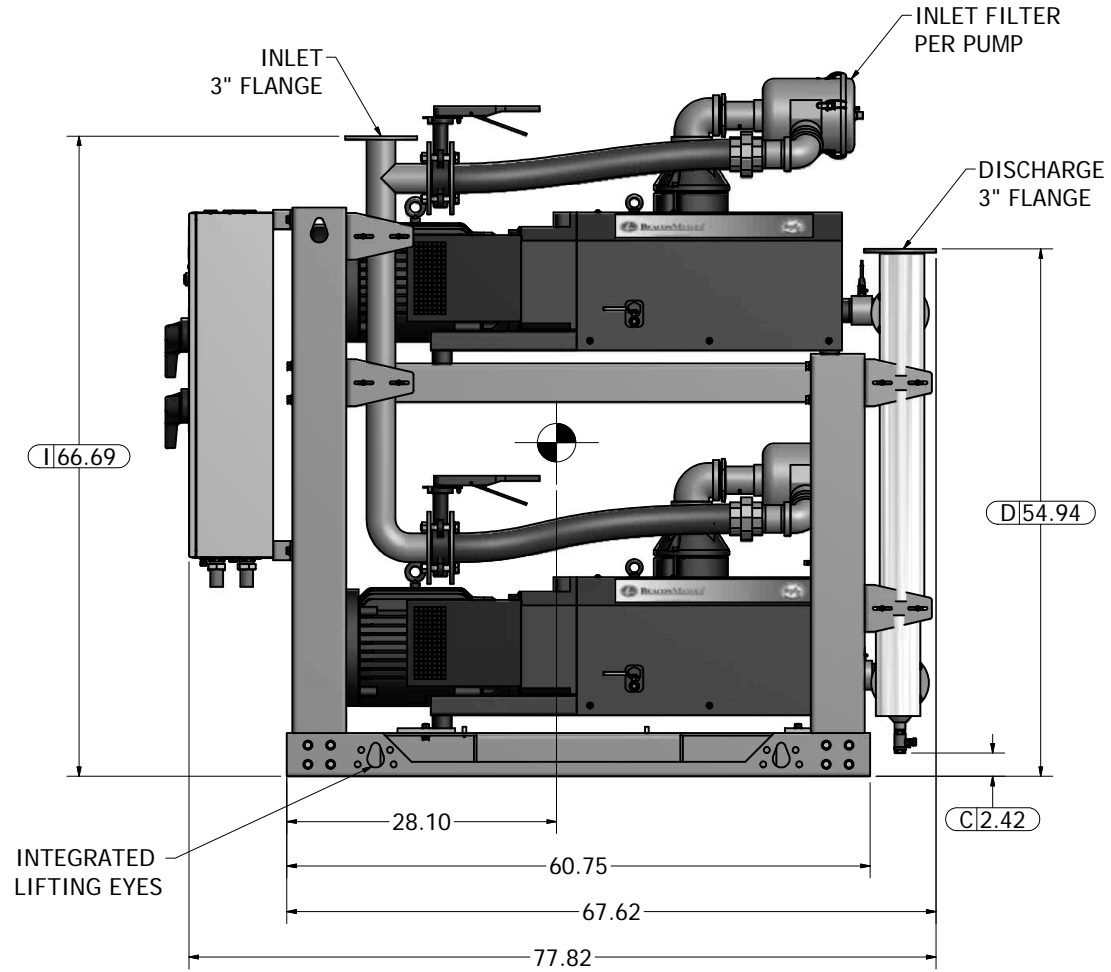
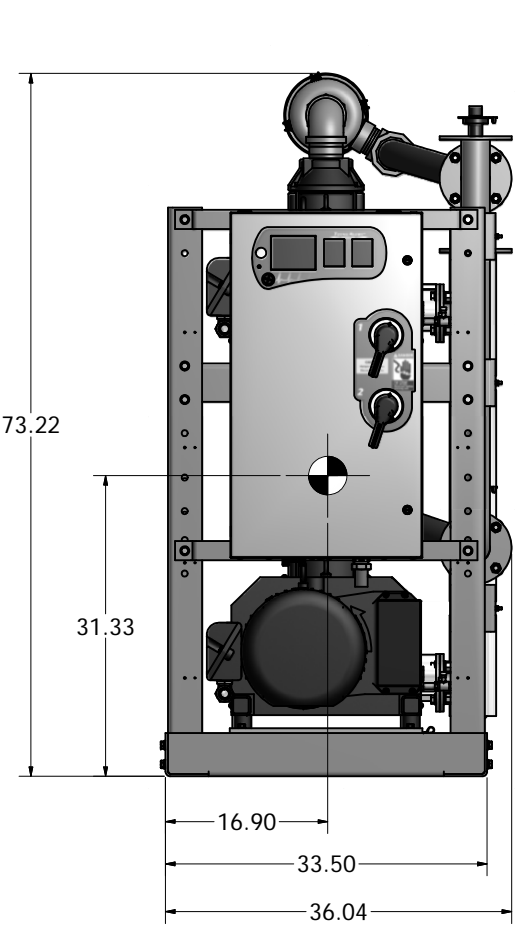
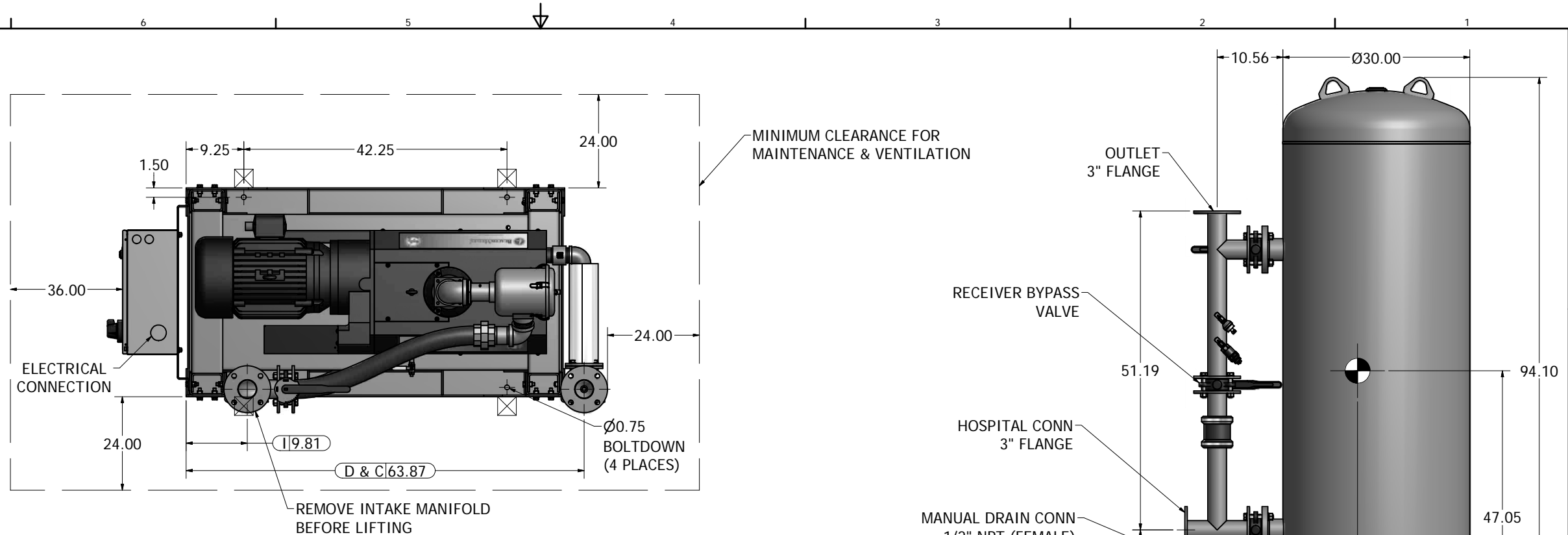


Notes:

- DISCHARGE MUFFLER WILL BE SHIPPED LOOSE.
- DX MODULE WEIGHT: 2,404 LBS
240G TANK WEIGHT: 713 LBS
- ☒ INDICATES LIFTING POINT.
- DENOTES CENTER OF GRAVITY.

SYSTEM CONNECTIONS	
ID	DESCRIPTION
I	INLET LOCATION
D	DISCHARGE LOCATION
C	CONDENSATE DRAIN LOCATION
T	TANK DRAIN LOCATION



240 GAL VACUUM RECEIVER
3" FLANGED CONNECTIONS
(SCALE 1:10)

Revised:	Date:	Drawn: JWO	Date: 01/28/2014
		This drawing and the information contained therein remain the property of BeaconMedes and may not be used for other than the purpose for which it is loaned without the expressed written permission from BeaconMedes Engineering.	
Description: GENERAL ASSEMBLY 15HP DX CLAW VAC MOD 240G RECEIVER STANDARD		Part Number: 4107 8549 03 DN: HOP131370 Rev: 00 Sheet 1 of 1	
Scale: 1:10		DO NOT SCALE THIS DOCUMENT	