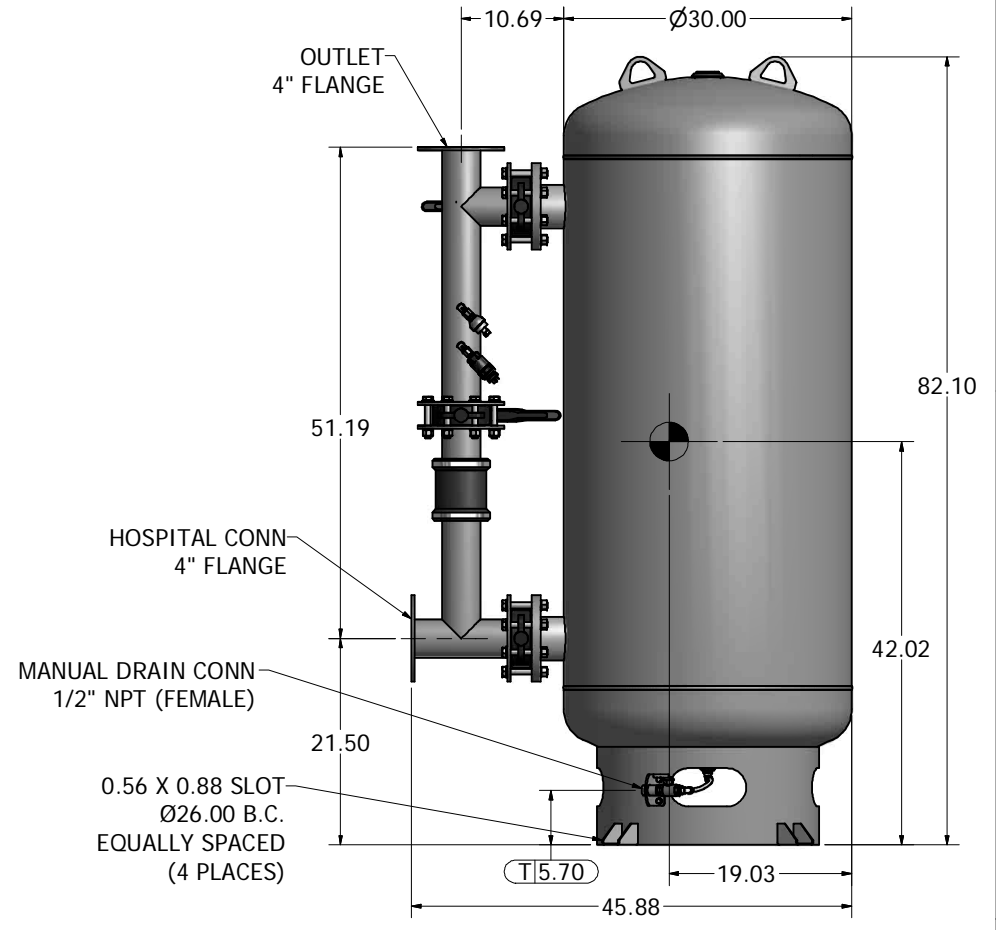
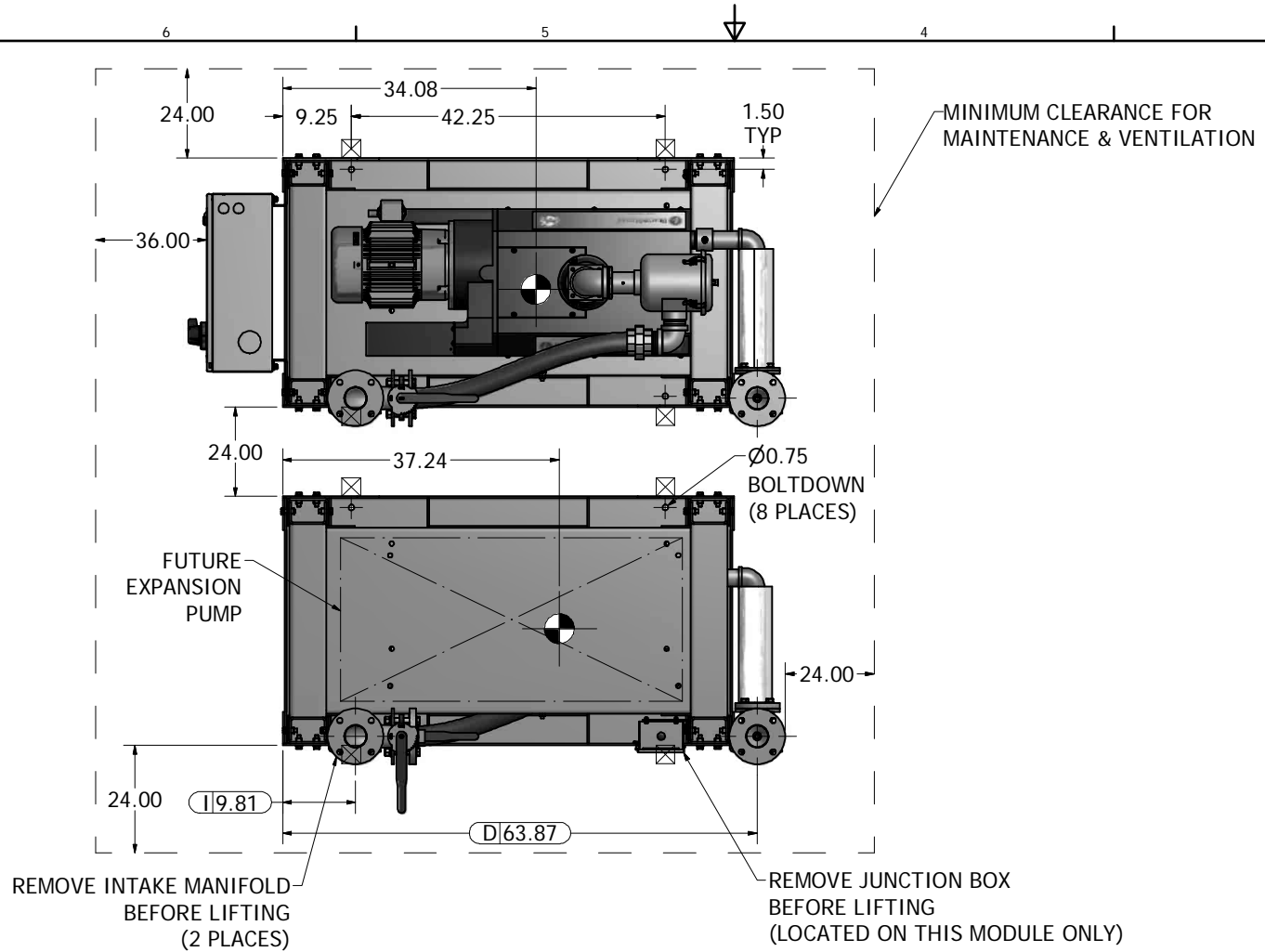


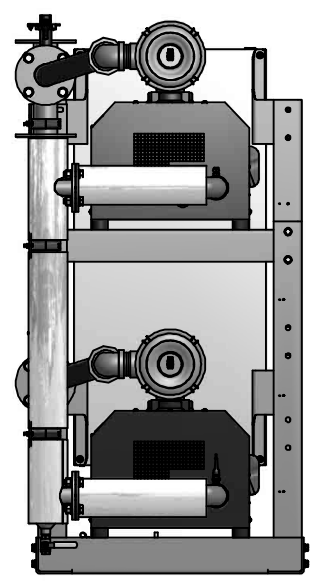
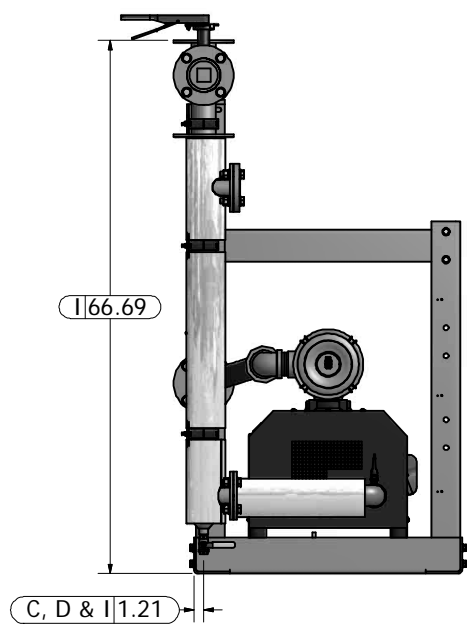
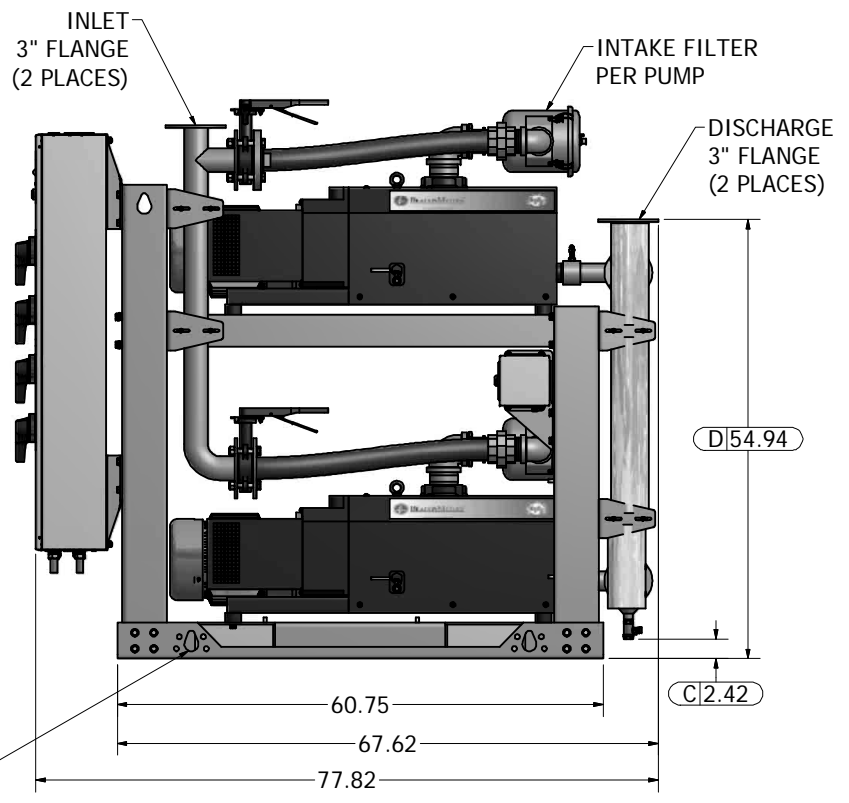
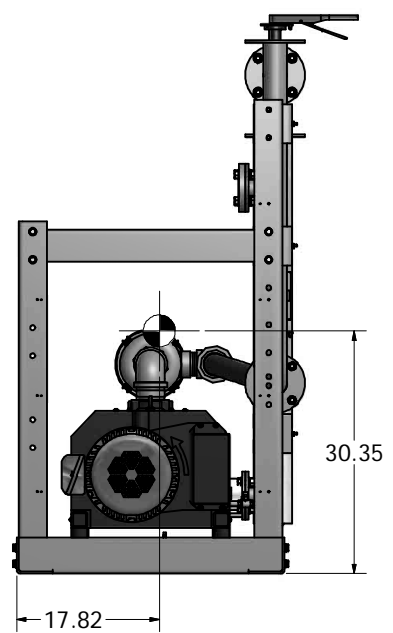
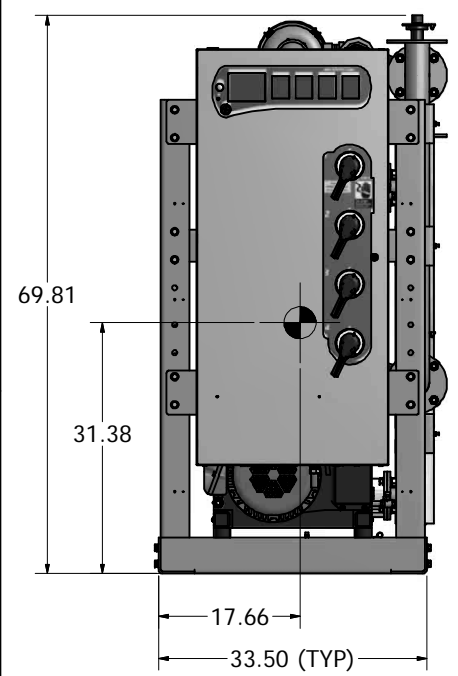
Notes:

- DISCHARGE MUFFLERS WILL BE SHIPPED LOOSE.
- WEIGHT OF DUPLEX MODULE W/ PANEL: 2,307 LBS
WEIGHT OF DUPLEX MODULE W/O PANEL: 2,139 LBS (INCLUDES FUTURE EXPANSION PUMP)
200G TANK WEIGHT: 658 LBS
- ☒ INDICATES LIFTING POINT.
- DENOTES CENTER OF GRAVITY.

SYSTEM CONNECTIONS	
ID	DESCRIPTION
I	INLET LOCATION
D	DISCHARGE LOCATION
C	CONDENSATE DRAIN LOCATION
T	TANK DRAIN LOCATION



200 GAL VACUUM RECEIVER
4" FLANGED CONNECTIONS
(SCALE 1:10)



Revised:	Date:	Drawn:	Date:
		MDB	5/14/2012
		This drawing and the information contained therein remain the property of BeaconMedes and may not be used for other than the purpose for which it is loaned without the expressed written permission from BeaconMedes Engineering.	
Description: GENERAL ASSEMBLY 10HP TX-X-OX CLAW VAC MOD 200G RECEIVER STANDARD AND O2 ASSURED		Part Number: 4107 8539 20 Rev: HOP120412 00	
Sheet 1 of 1		DO NOT SCALE THIS DOCUMENT	